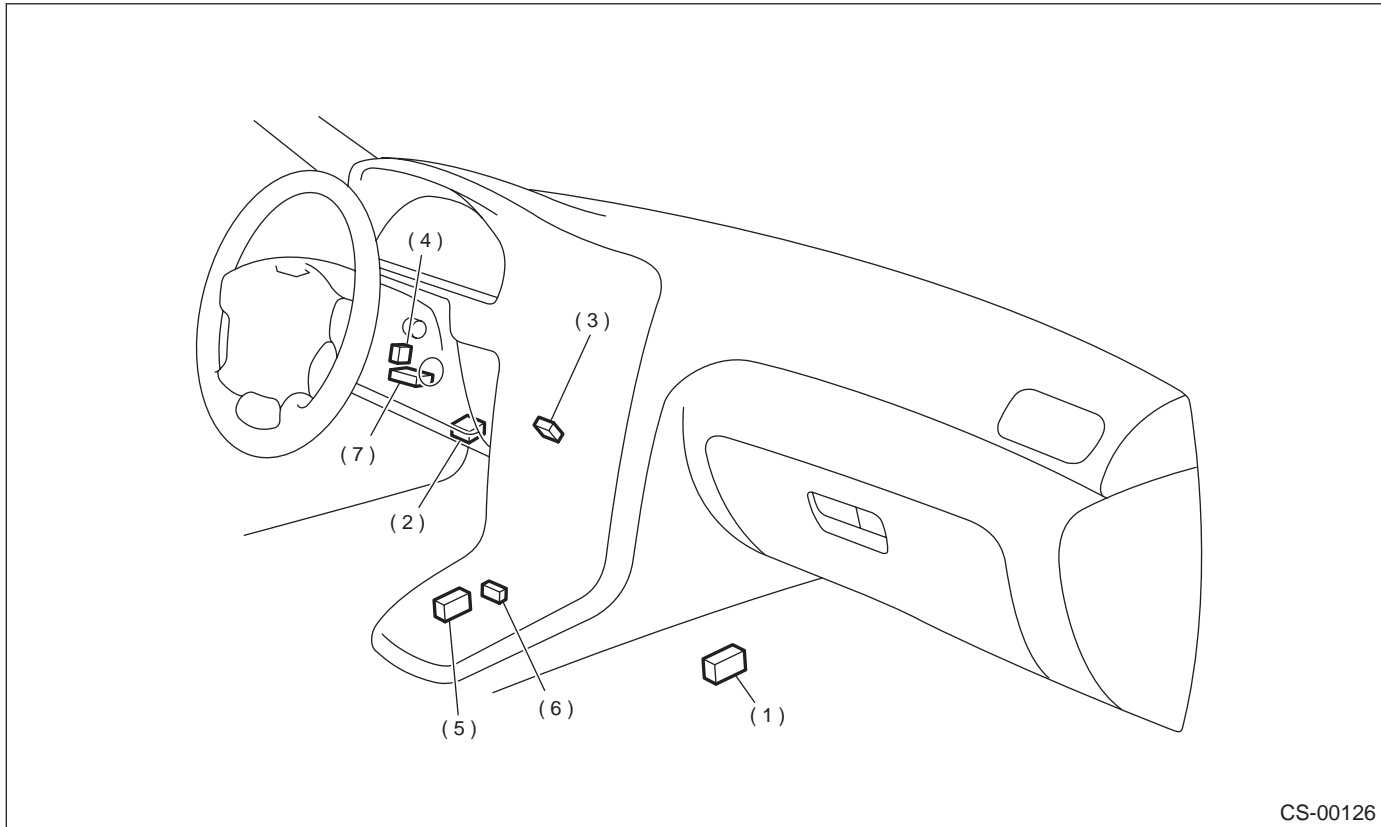


## ELECTRICAL COMPONENT

CONTROL SYSTEMS

### 2. Electrical Component

#### A: LOCATION



CS-00126

- |                       |                         |                       |
|-----------------------|-------------------------|-----------------------|
| (1) Inhibitor switch  | (4) Key warning switch  | (7) Key lock solenoid |
| (2) Integrated module | (5) Shift lock solenoid |                       |
| (3) Stop light switch | (6) "P" position switch |                       |

CS-7

# ELECTRICAL COMPONENT

## CONTROL SYSTEMS

