

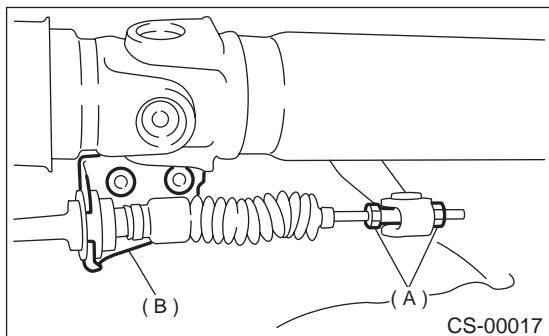
SELECT LEVER

CONTROL SYSTEMS

4. Select Lever

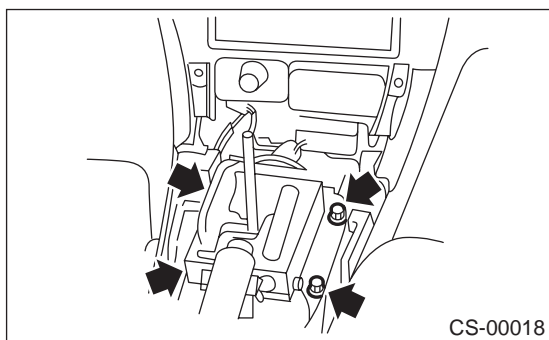
A: REMOVAL

- 1) Set the vehicle on a lift.
 - 2) Disconnect the ground cable from battery.
 - 3) Move the select lever to "N" position.
 - 4) Lift-up the vehicle.
 - 5) Remove the rear exhaust pipe and muffler.
- 2.5 L model
<Ref. to EX(H4SO)-9, REMOVAL, Rear Exhaust Pipe.>, <Ref. to EX(H4SO)-10, REMOVAL, Muffler.>
- 3.0 L model
<Ref. to EX(H6DO)-8, REMOVAL, Rear Exhaust Pipe.>, <Ref. to EX(H6DO)-9, REMOVAL, Muffler.>
- 6) Remove the heat shield cover. (If equipped)
 - 7) Disconnect the cable from select lever, and then remove the cable bracket.



- (A) Adjusting nuts
(B) Cable bracket

- 8) Lower the vehicle.
- 9) Remove the console box. <Ref. to EI-36, REMOVAL, Console Box.>
- 10) Disconnect the connectors, then remove the four bolts to take out the select lever assembly from body.

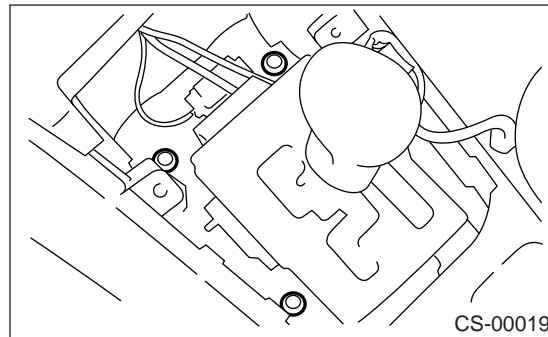


B: INSTALLATION

- 1) Mount the select lever onto the vehicle body.
- 2) Tighten the four bolts to install the select lever to vehicle body, then connect the connector.

Tightening torque:

13 N·m (1.3 kgf·m, 9.4 ft·lb)



- 3) Install the console box. <Ref. to EI-34, INSTALLATION, Glove Box.>
- 4) Set the location of select lever at "N" position.
- 5) Lift-up the vehicle.
- 6) Set the location of range select lever to "N" position.
- 7) Insert the thread portion of the other inner cable and into connector hole of the select lever, and fix the other outer cable end to bracket.

Tightening torque:

18 N·m (1.8 kgf·m, 13.0 ft·lb)

- 8) Adjust the select cable position. <Ref. to CS-32, ADJUSTMENT, Select Cable.>
 - 9) After completion of fitting, make sure that the select lever operates smoothly all across the operating range.
 - 10) Install the heat shield cover. (If equipped)
 - 11) Install the rear exhaust pipe and muffler.
- 2.5 L model
<Ref. to EX(H4SO)-9, INSTALLATION, Rear Exhaust Pipe.>, <Ref. to EX(H4SO)-10, INSTALLATION, Muffler.>
- 3.0 L model
<Ref. to EX(H6DO)-8, INSTALLATION, Rear Exhaust Pipe.>, <Ref. to EX(H6DO)-9, INSTALLATION, Muffler.>
- 12) Inspect the following items. If the following inspection reveals problems, adjust the select cable and inhibitor switch. <Ref. to CS-32, ADJUSTMENT, Select Cable.> and <Ref. to AT-50, ADJUSTMENT, Inhibitor Switch.>

- (1) The engine starts operating when select lever is in position "P" or "N", but not in other positions.
- (2) The back-up light is lit when the select lever is in position "R", but not in other positions.

CS-26

SELECT LEVER

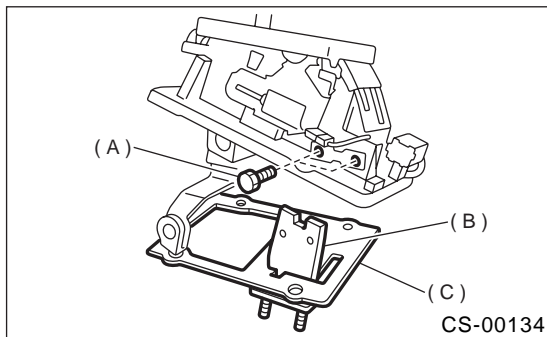
CONTROL SYSTEMS

(3) Select lever and indicator positions are matched.

C: DISASSEMBLY

1. EXCEPT SPORT SHIFT MODEL

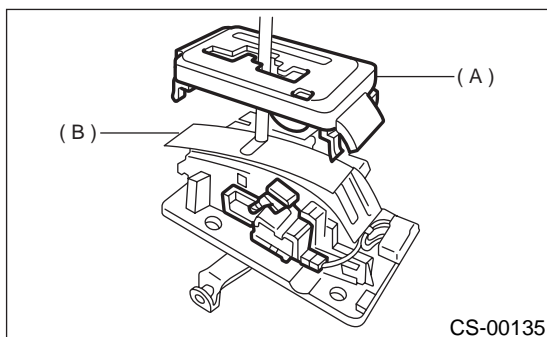
- 1) Remove four washers and then detach rubber boot.
- 2) Remove bolts and then remove cable bracket and plate.



- (A) Bolt
- (B) Cable bracket
- (C) Plate

3) Twist the select lever grip and then remove select lever grip.

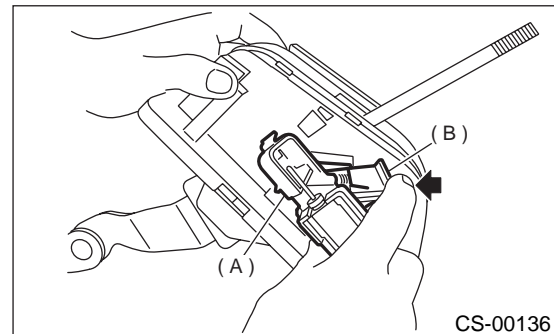
4) Detach indicator cover and pattern plate.



- (A) Indicator cover
- (B) Pattern plate

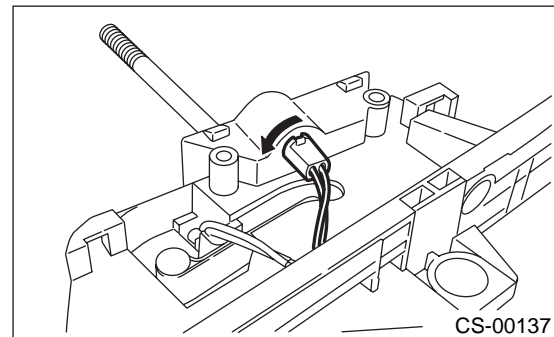
5) Disconnect solenoid assembly connector.

6) While pressing shift lock cancel button, remove shift lock solenoid assembly.



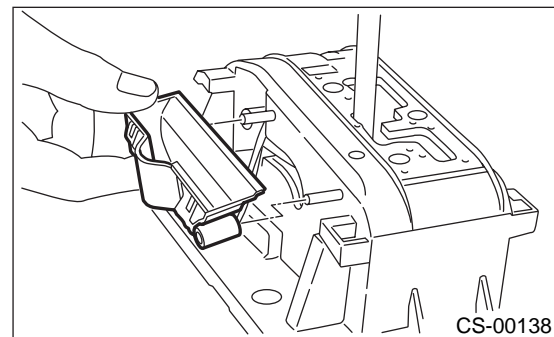
- (A) Shift lock solenoid ASSY
- (B) Button

7) Remove illumination light.



8) Remove illumination bulb.

9) Remove illumination light cover.

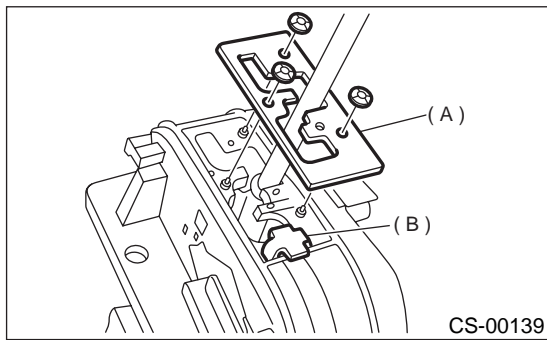


CS-27

SELECT LEVER

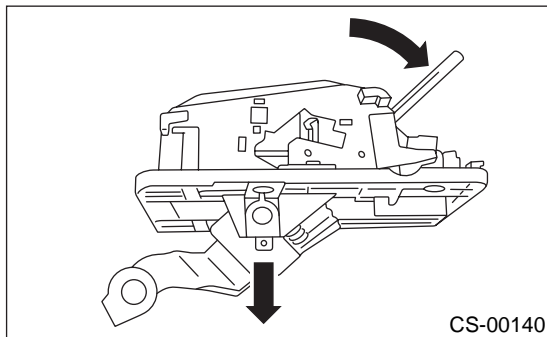
CONTROL SYSTEMS

10) Remove stopper.

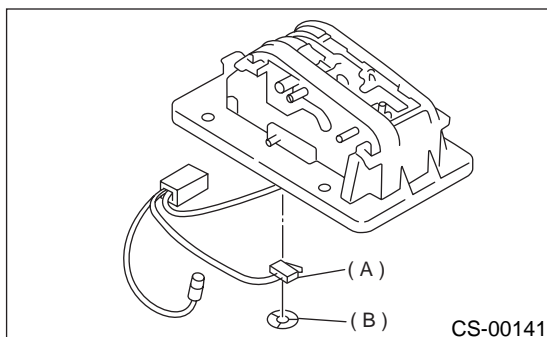


- (A) Pattern plate
- (B) Stopper

11) Tilt lever forward and pull down to separate it from frame.

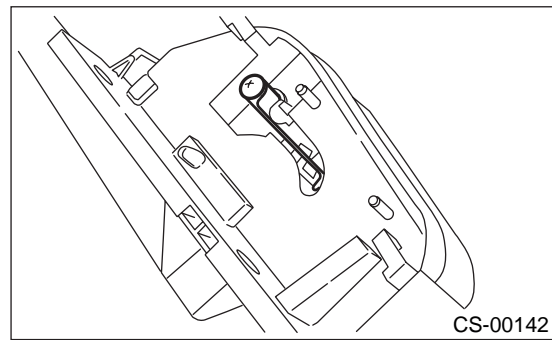


12) Remove clip, and "P" position switch with harness.



- (A) "P" position switch
- (B) Clip

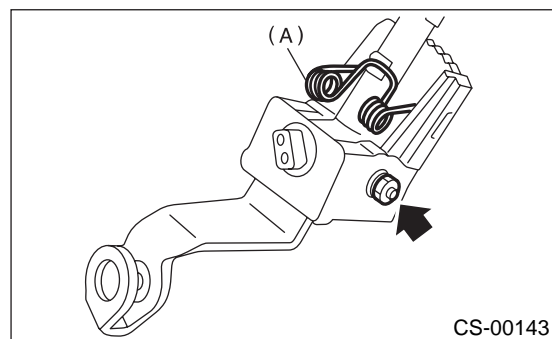
13) Remove detent spring



14) Remove spring.

CAUTION:
Wear goggles. Do not allow spring to fly out during removal.

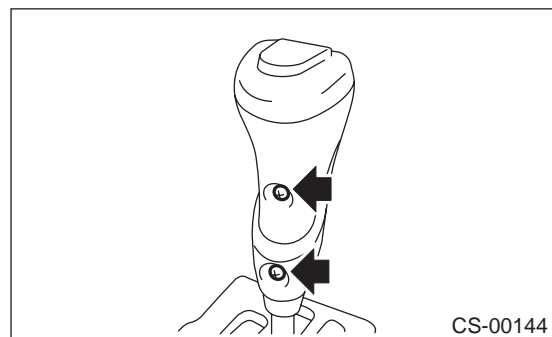
15) Remove bolt and then disconnect lever upper and lever lower.



- (A) Spring

2. SPORT SHIFT MODEL

- 1) Remove the packing.
- 2) Remove the grip.



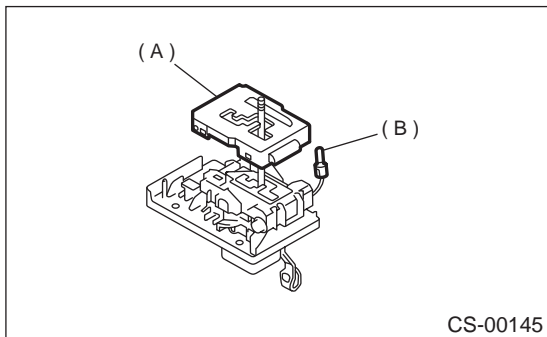
SELECT LEVER

CONTROL SYSTEMS

3) Remove the indicator light, and then remove the indicator cover.

NOTE:

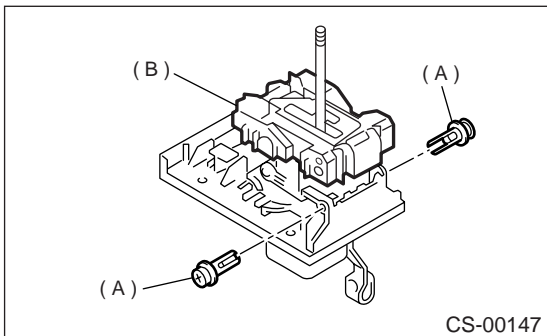
Be careful not to break the indicator light during removal.



- (A) Indicator cover
- (B) Indicator light

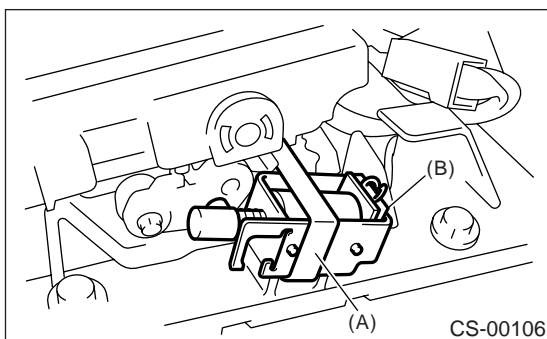
4) Remove the slider.

5) Remove the clips, and then remove the guide plate.



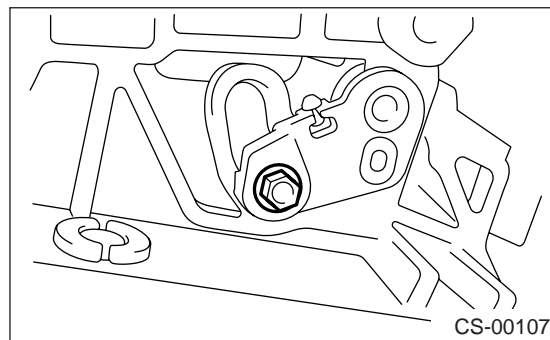
- (A) Clips
- (B) Guide plate

6) Remove the clamp, shift lock solenoid and cushion.

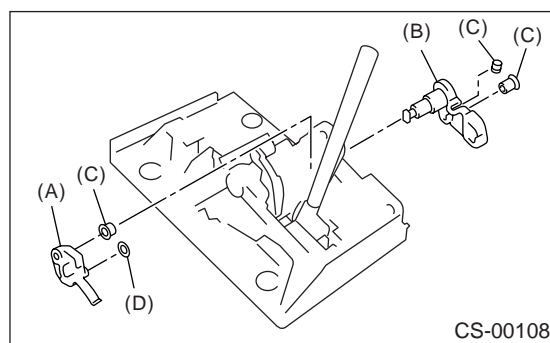


- (A) Clamp
- (B) Shift lock solenoid

7) Remove the bolt.

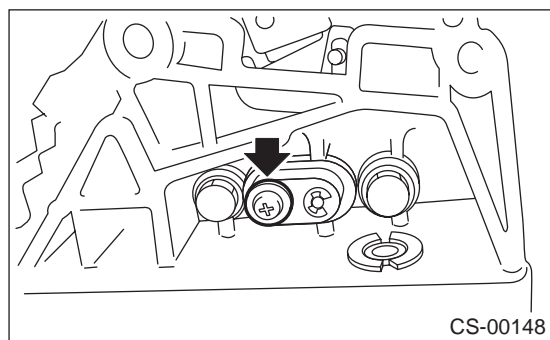


8) Remove the lock plate A, B, bushing and spacer.

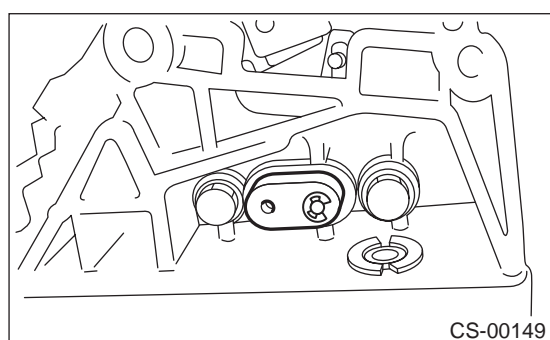


- (A) Lock plate A
- (B) Lock plate B
- (C) Bushing
- (D) Spacer

9) Remove the screw.



10) Remove the bushing.

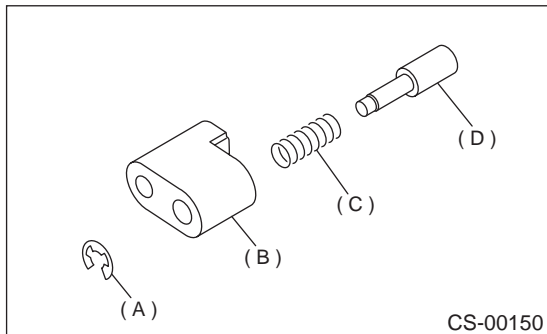


CS-29

SELECT LEVER

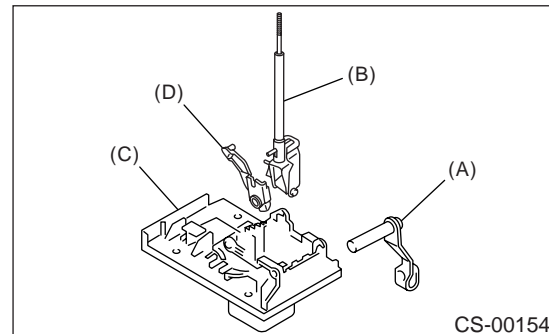
CONTROL SYSTEMS

11) Remove the clip, and then remove the rod and the spring.



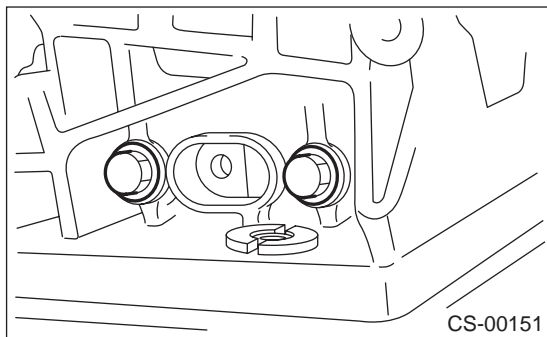
- (A) Clip
- (B) Bushing
- (C) Spring
- (D) Rod

15) Remove the arm and then take away the lever and arm bracket from plate.

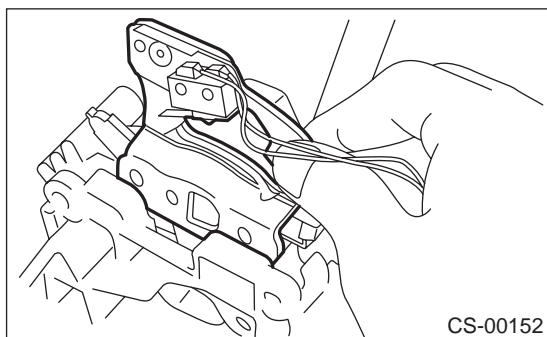


- (A) Arm
- (B) Lever
- (C) Base plate
- (D) Arm bracket

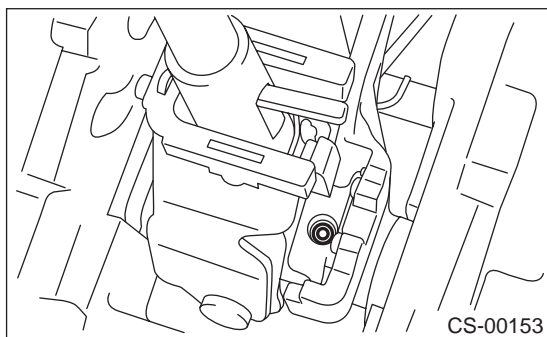
12) Remove the bolt.



13) Remove the bracket guide COMPL.



14) Remove the grommet, and then extract spring pin from the top.



16) Remove the spring, and then remove the detent arm.

D: ASSEMBLY

- 1) Clean all parts before assembly.
- 2) Apply grease [SUNLIGHT 2 (Part No. 003602010) or equivalent] to each parts. <Ref. to CS-3, AT SELECT LEVER (EXCEPT SPORT SHIFT MODEL), COMPONENT, General Description.> and <Ref. to CS-4, AT SELECT LEVER (SPORT SHIFT MODEL), COMPONENT, General Description.>
- 3) Assembly is in the reverse order of disassembly.
- 4) After completion of fitting, transfer the select lever to range "P" — "1", then check whether the indicator and select lever agree, whether the pointer and position mark agree and what the operating force is.

E: INSPECTION

- 1) Inspect the removed parts by comparing with new ones for deformation, damage and wear. Correct or replace if defective.
- 2) Confirm the following parts for operating condition before assembly. Moving condition of the select lever COMPL, it should move smoothly.

CS-30