

## SUPER MULTIPLE JUNCTION (SMJ)

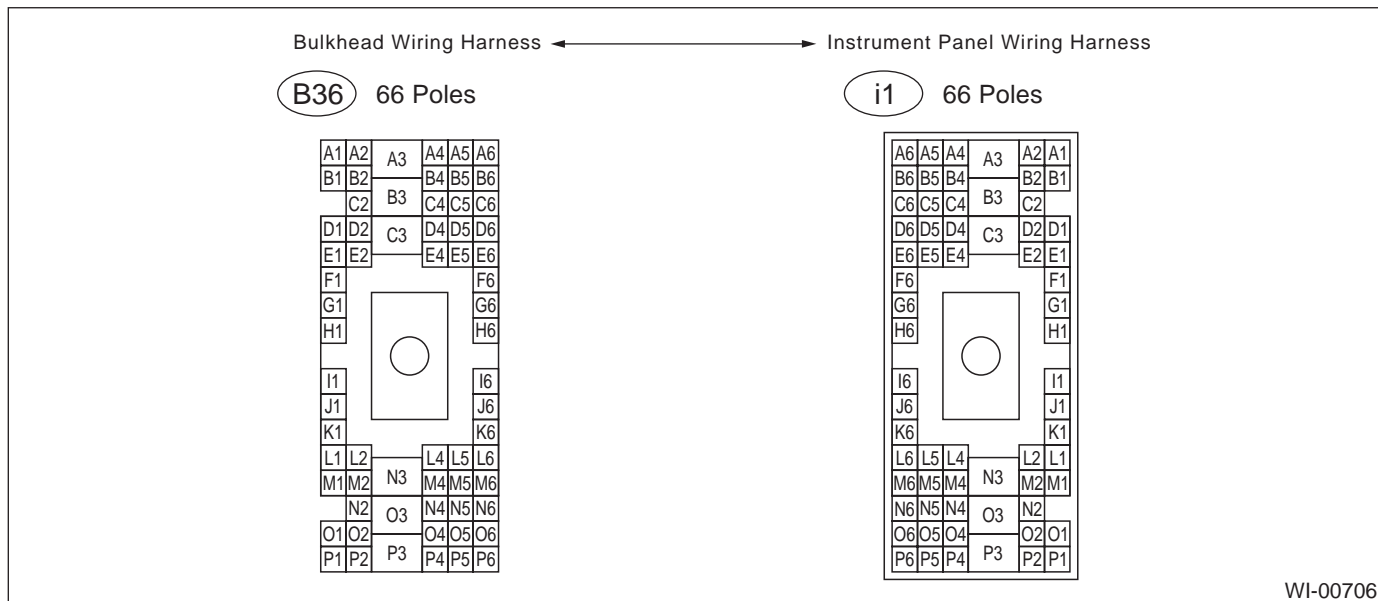
WIRING SYSTEM

### 3. Super Multiple Junction (SMJ)

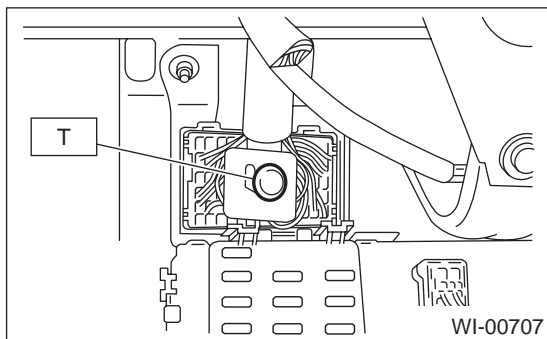
#### A: HOW TO USE SUPER MULTIPLE JUNCTION (SMJ)

The "SMJ" indicated in wiring diagrams is shown in a simplified form.

#### B: TERMINAL ARRANGEMENT



#### C: INSTALLATION



#### Tightening torque:

**T: 4.4 N·m (0.45 kgf·m, 3.3 ft·lb)**

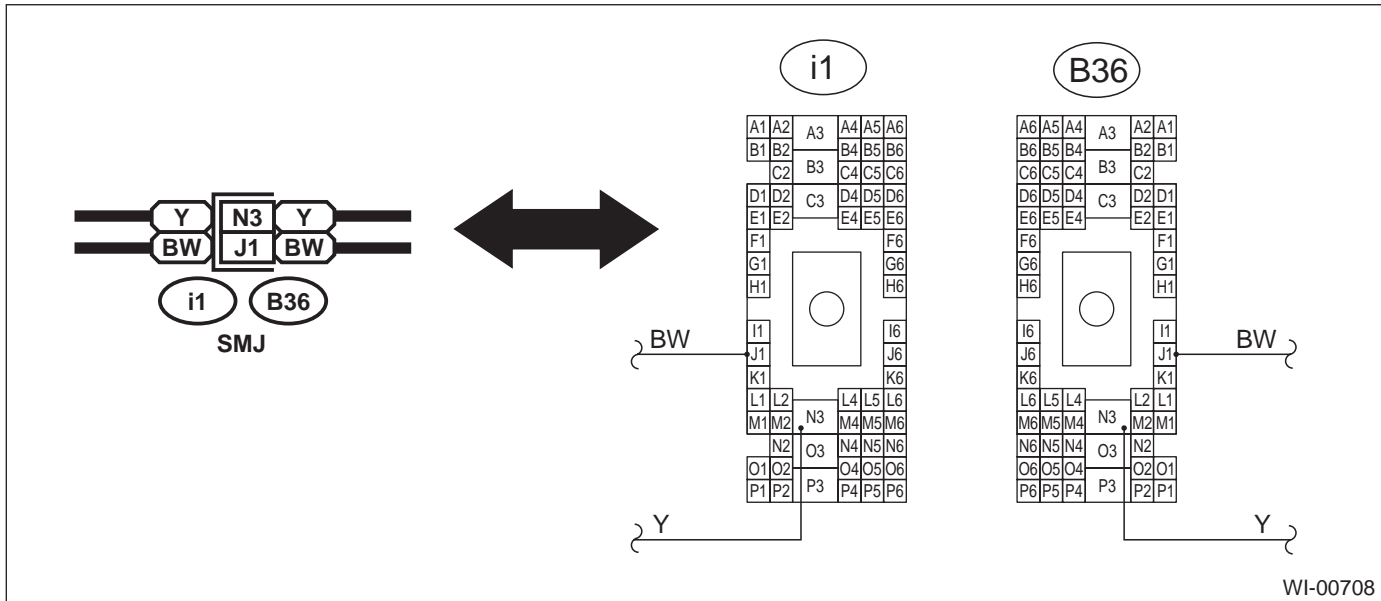
#### NOTE:

- Align the cutout portion of one connector with that of other before tightening the connecting bolt.
- Do not tighten the bolt excessively since this may deform the connectors.

# SUPER MULTIPLE JUNCTION (SMJ)

WIRING SYSTEM

## D: EXPLANATION OF SMJ SHOWN IN THE WIRING DIAGRAM



## SUPER MULTIPLE JUNCTION (SMJ)

WIRING SYSTEM

---

MEMO: