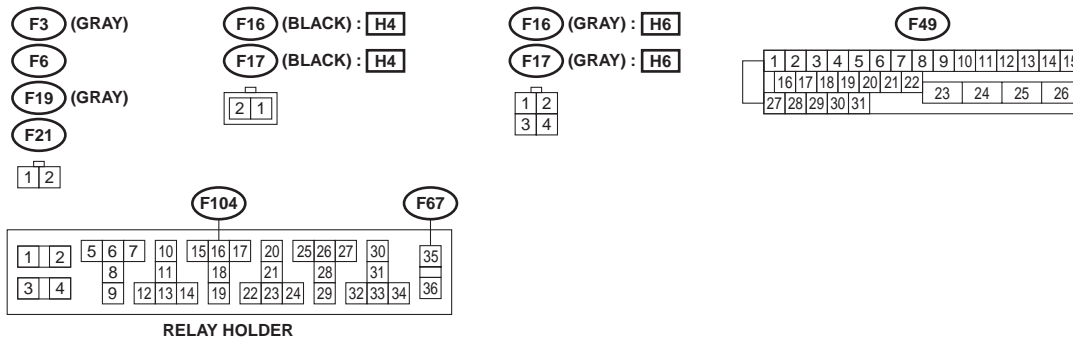
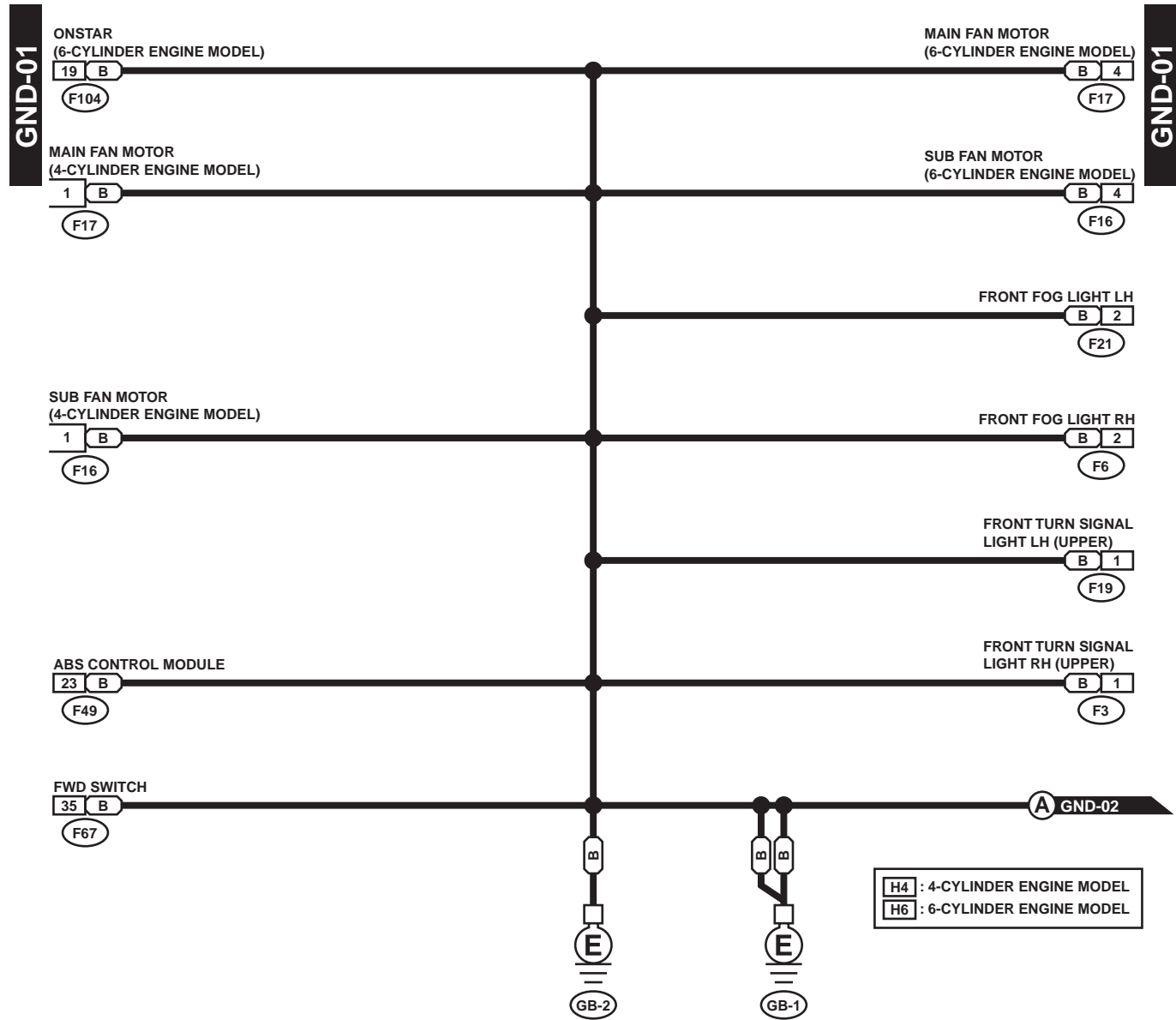


GROUND DISTRIBUTION

WIRING SYSTEM

5. Ground Distribution

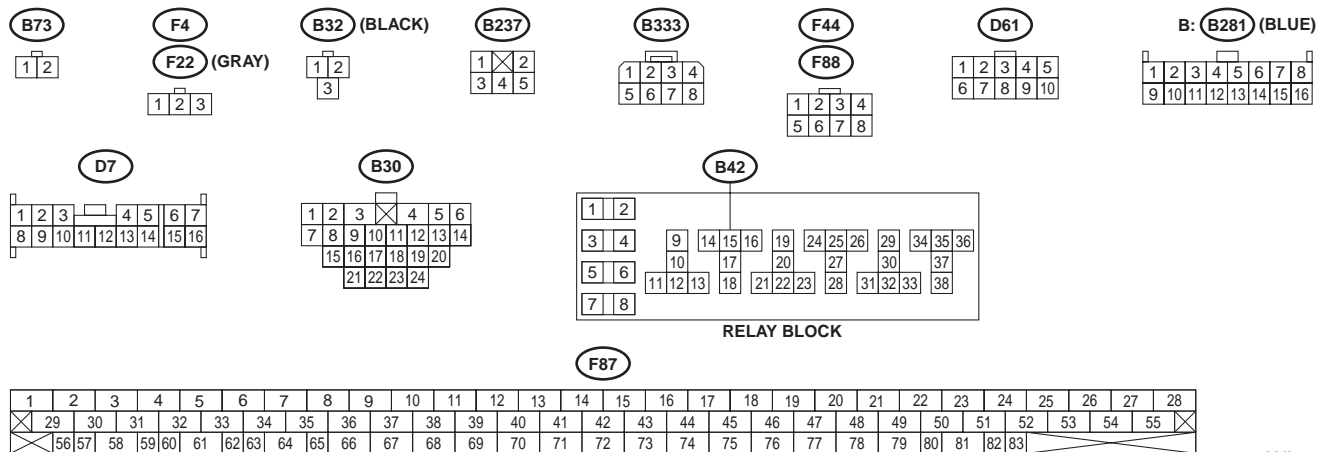
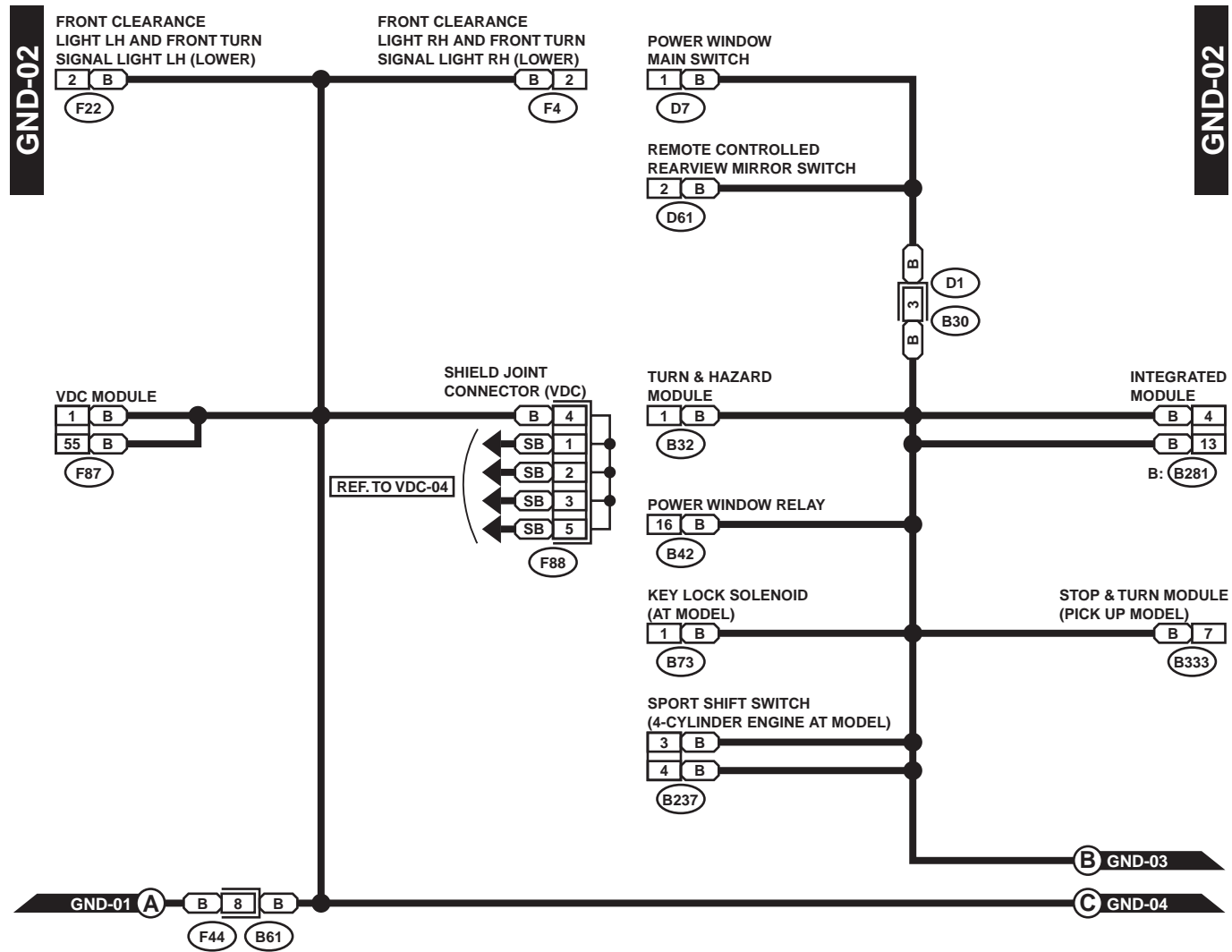
A: SCHEMATIC



WI-00514

GROUND DISTRIBUTION

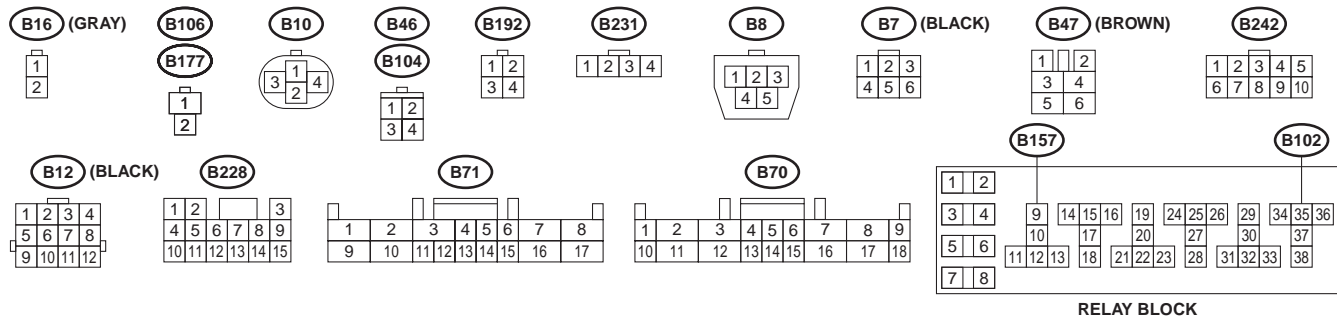
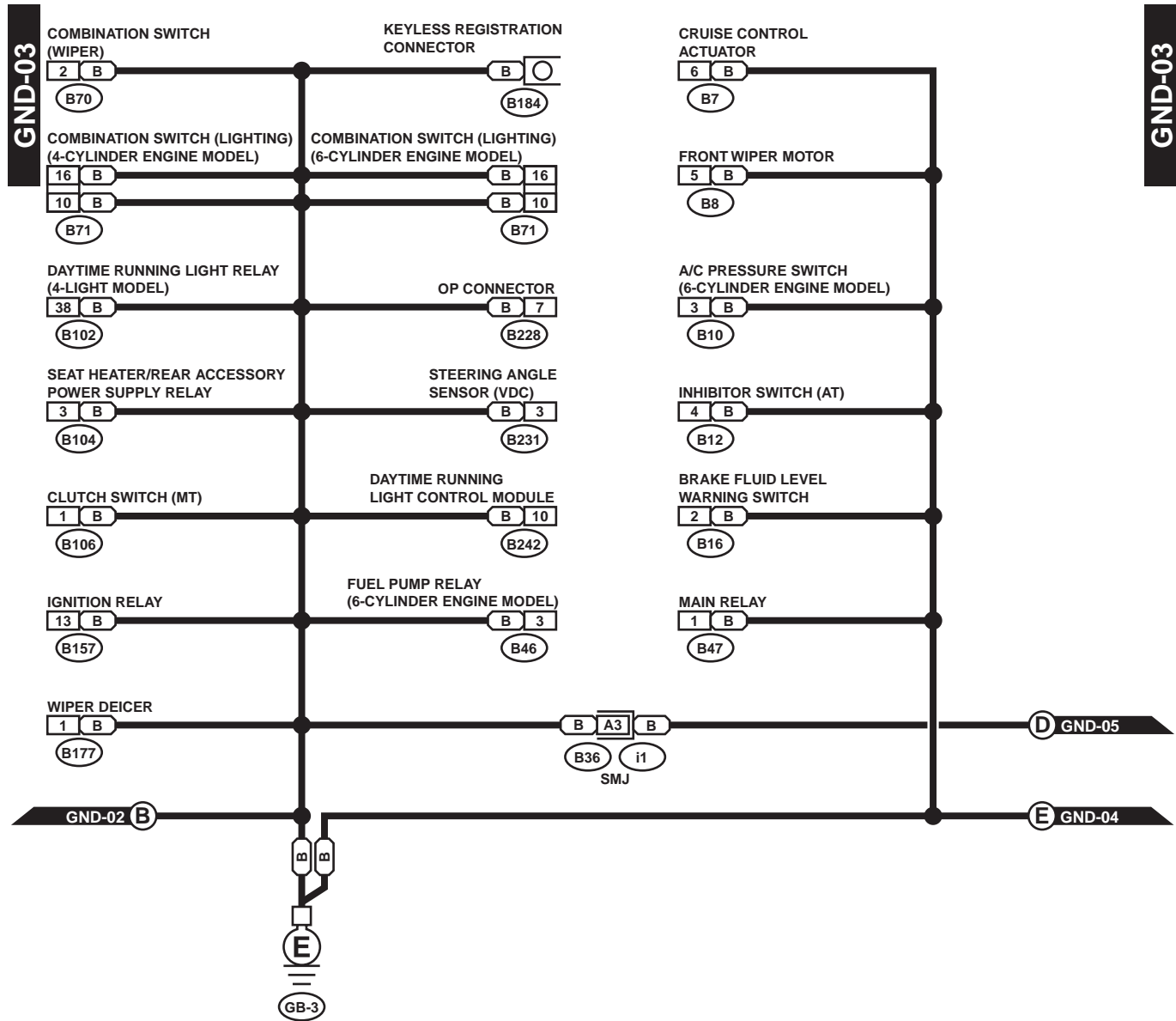
WIRING SYSTEM



WI-00515

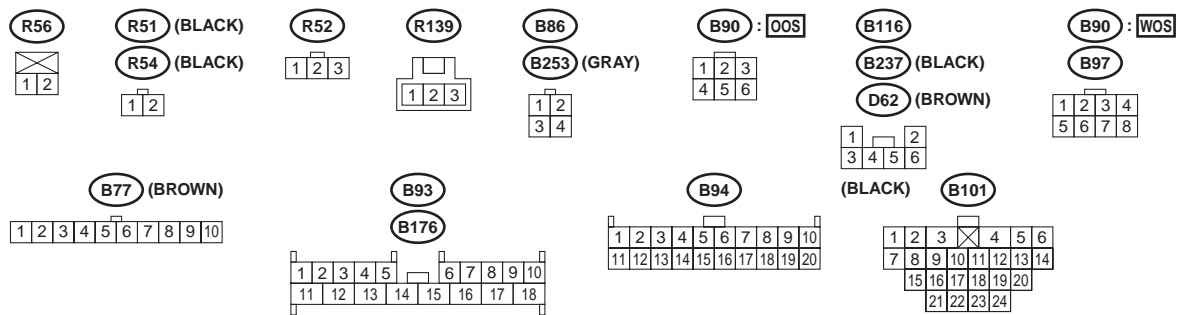
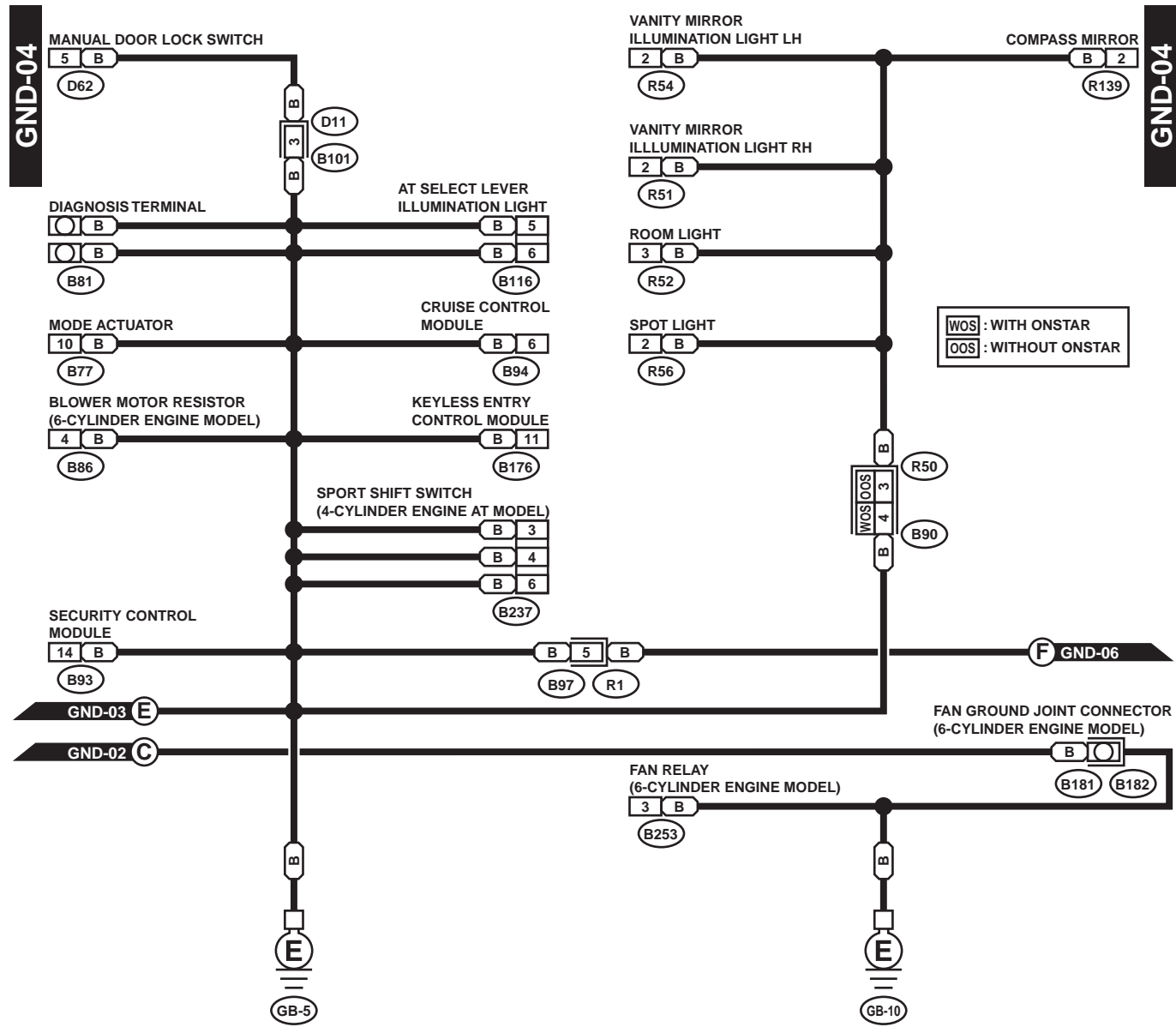
GROUND DISTRIBUTION

WIRING SYSTEM



GROUND DISTRIBUTION

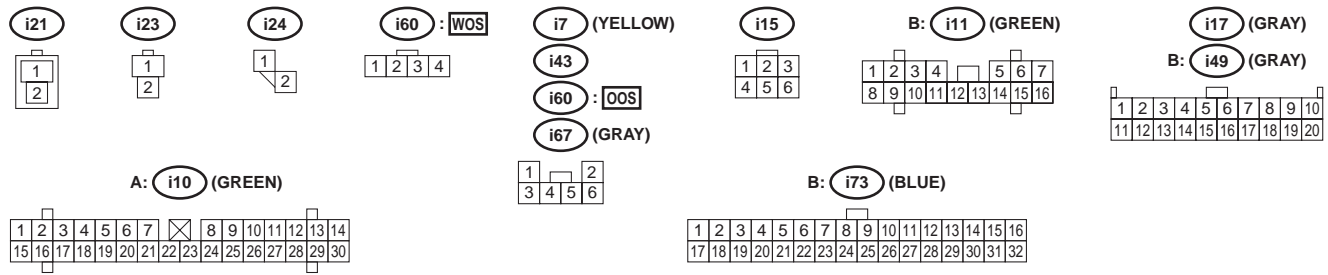
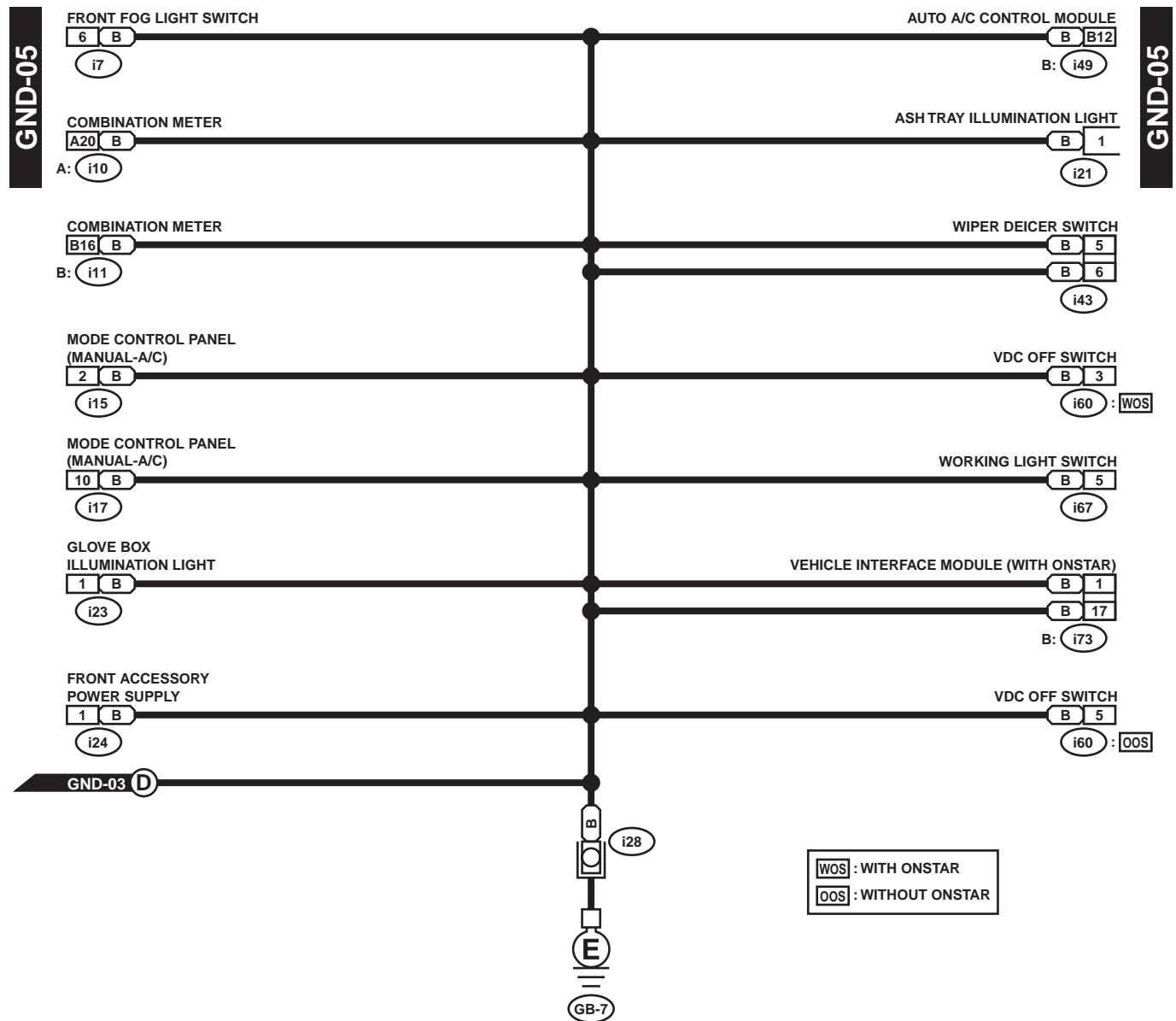
WIRING SYSTEM



WI-00517

GROUND DISTRIBUTION

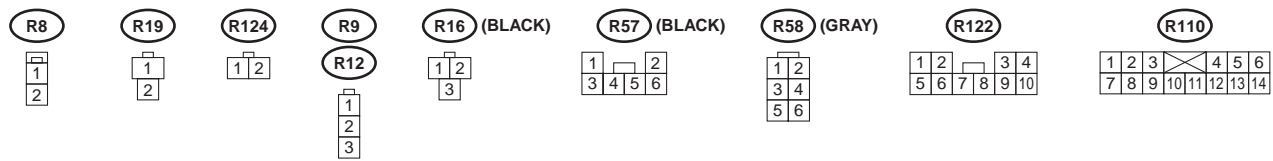
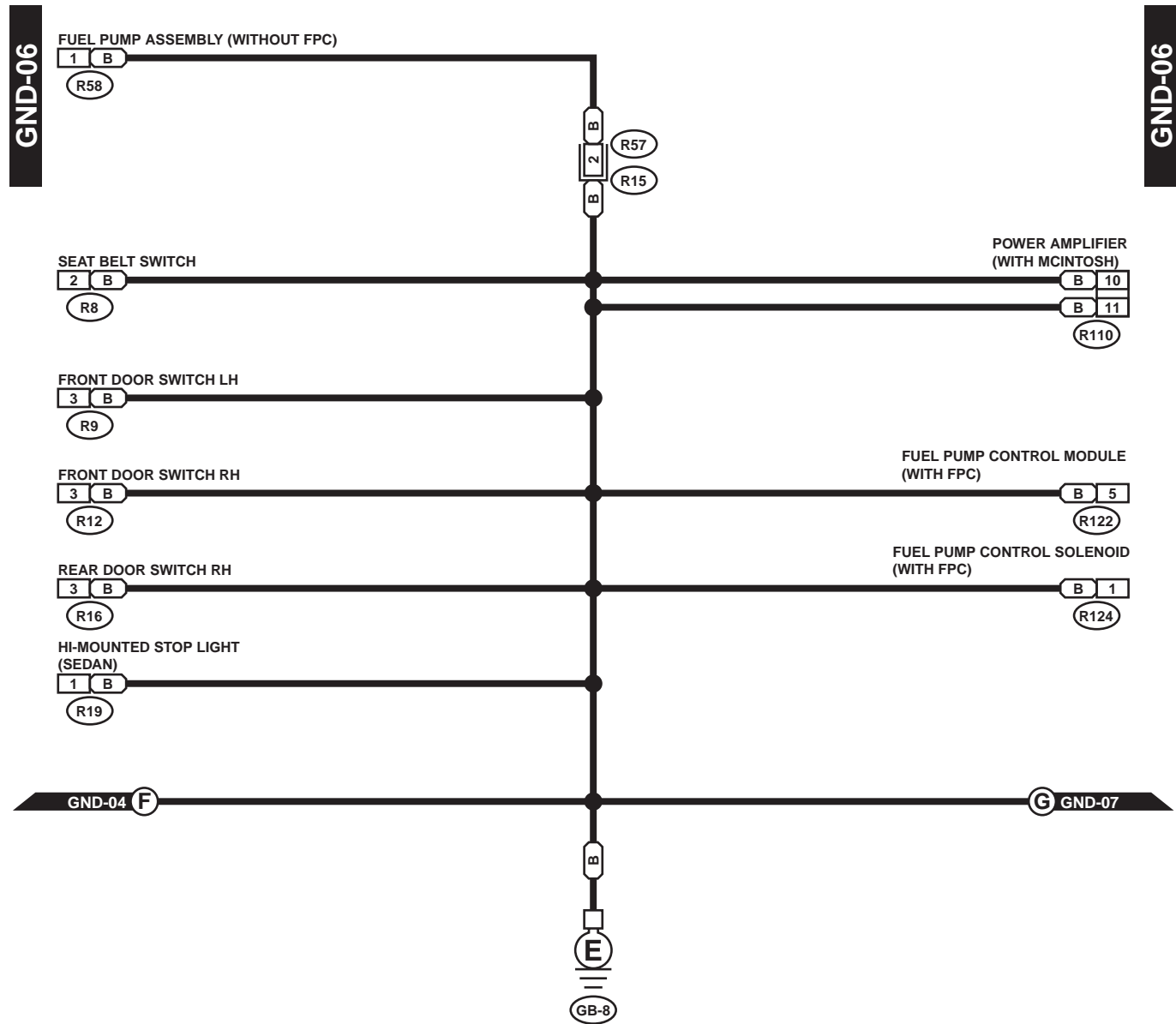
WIRING SYSTEM



WI-00518

GROUND DISTRIBUTION

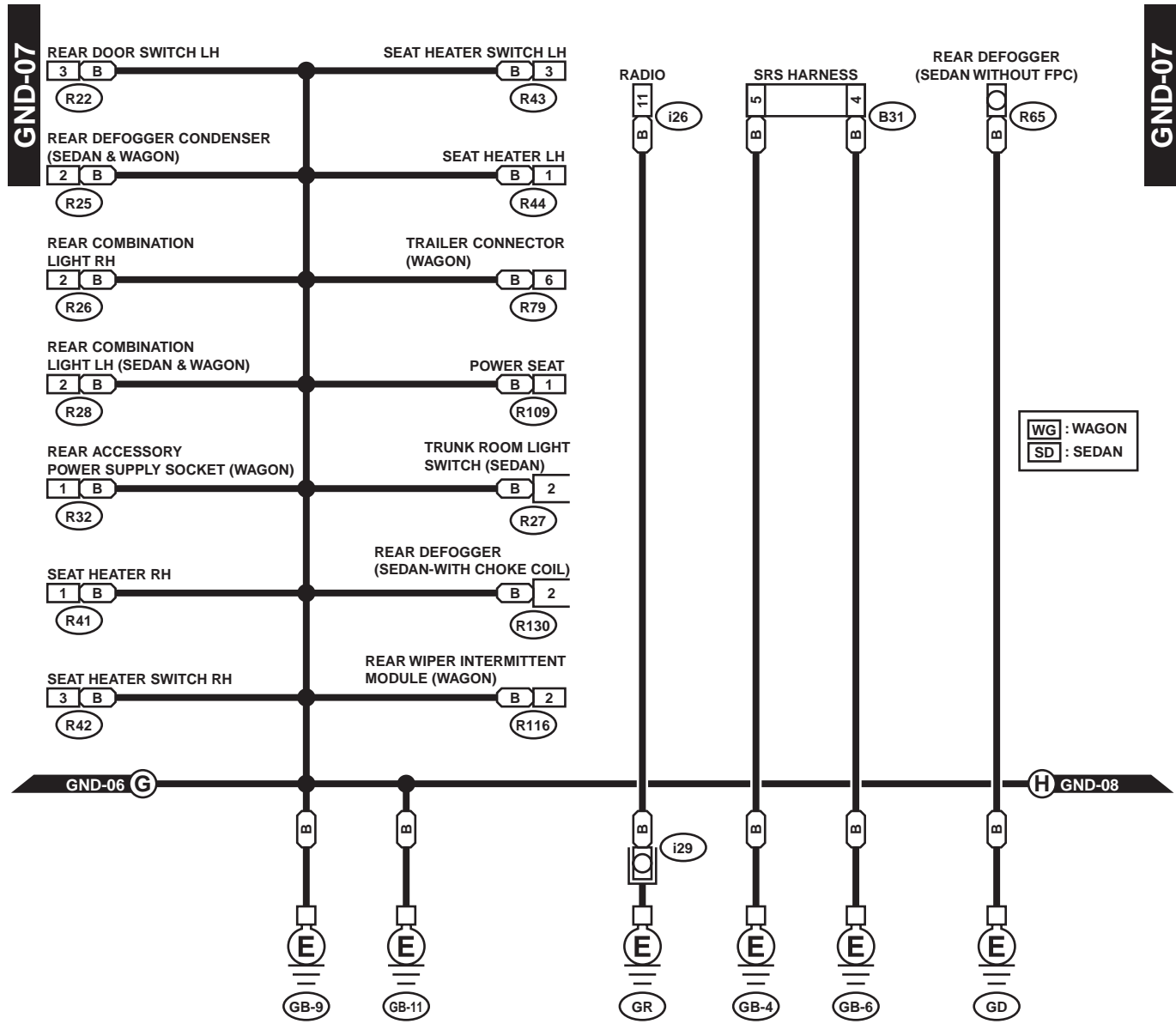
WIRING SYSTEM



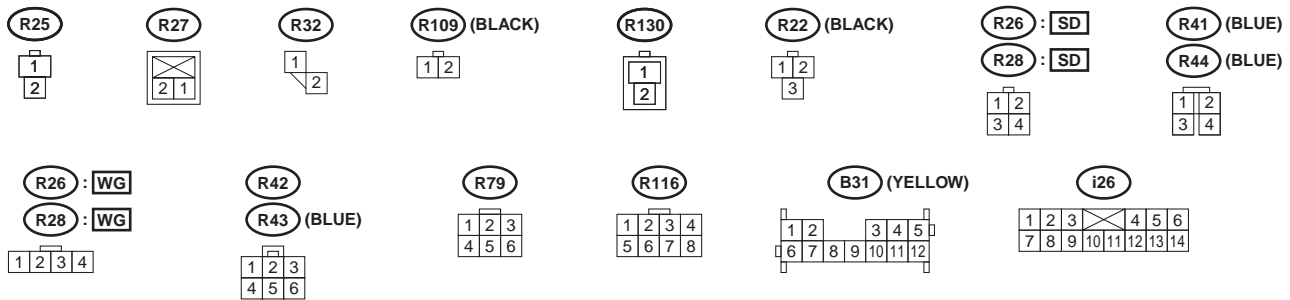
WI-00519

GROUND DISTRIBUTION

WIRING SYSTEM



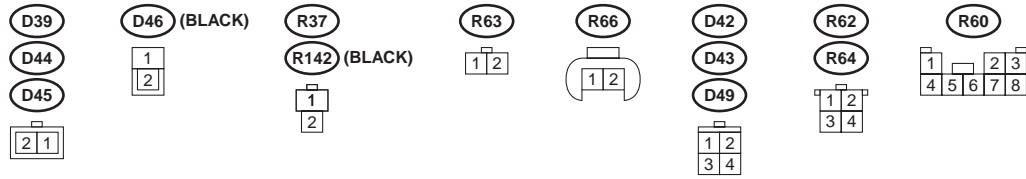
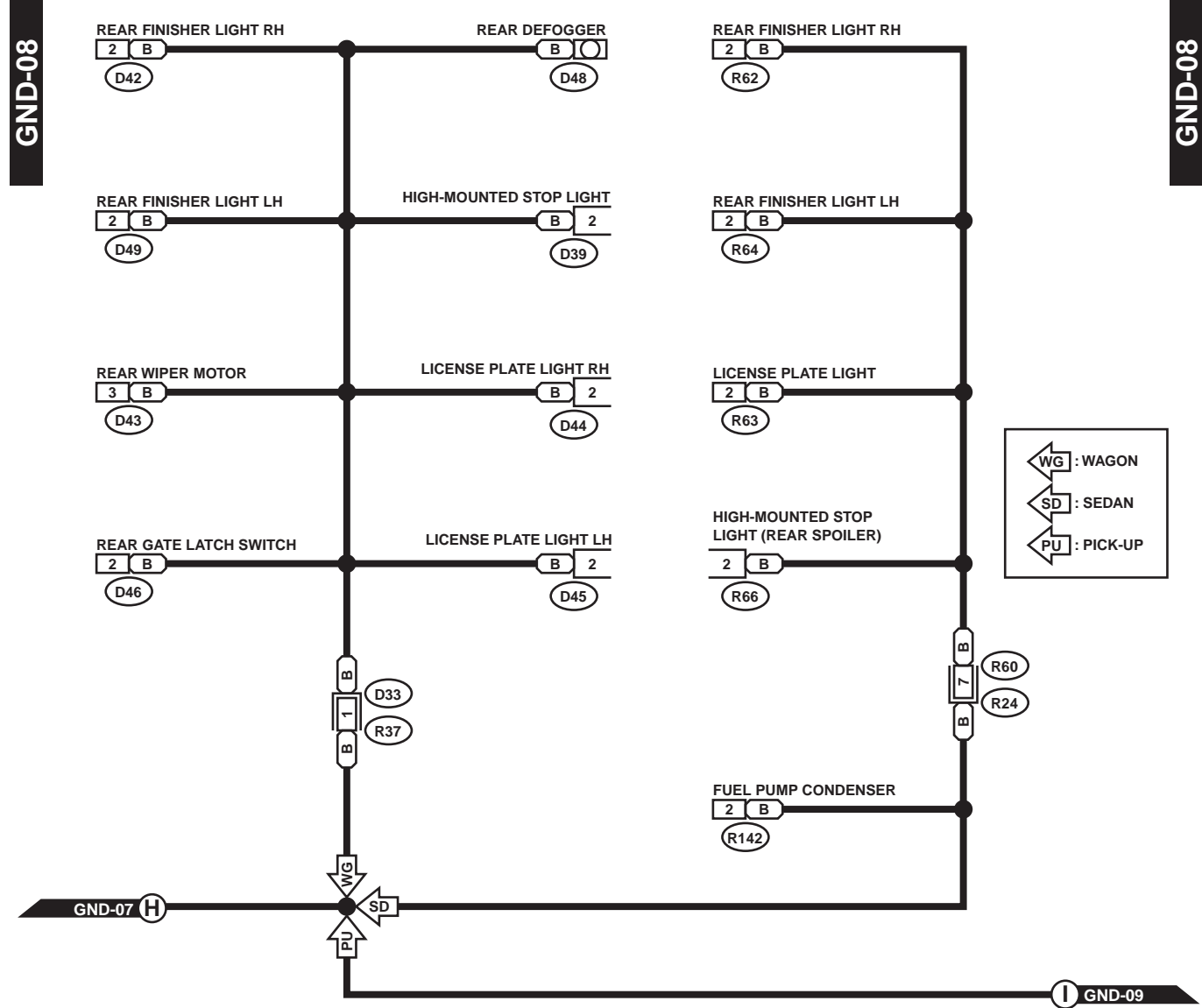
WG : WAGON
SD : SEDAN



WI-00520

GROUND DISTRIBUTION

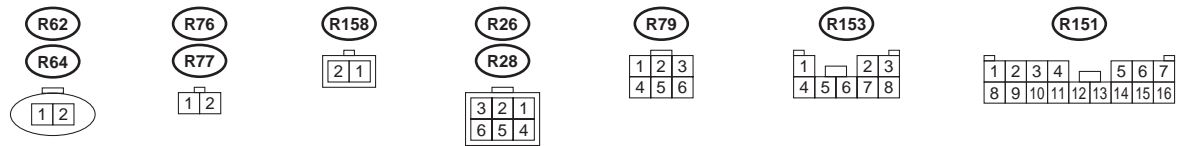
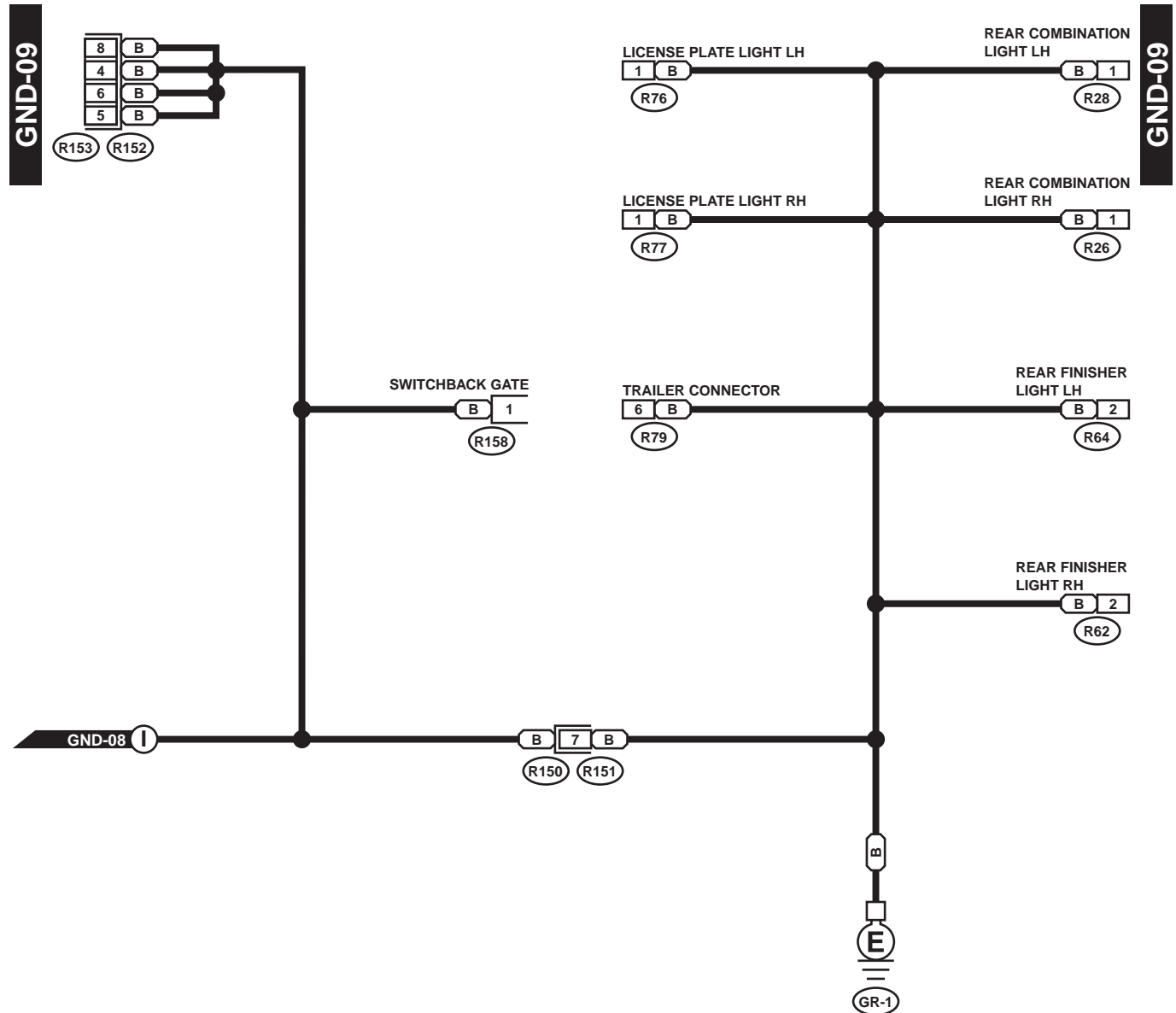
WIRING SYSTEM



WI-00521

GROUND DISTRIBUTION

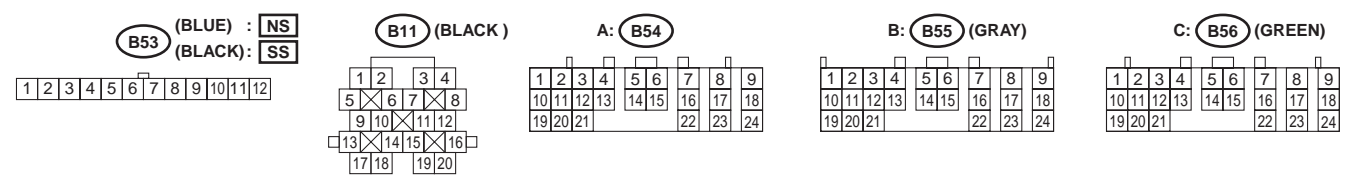
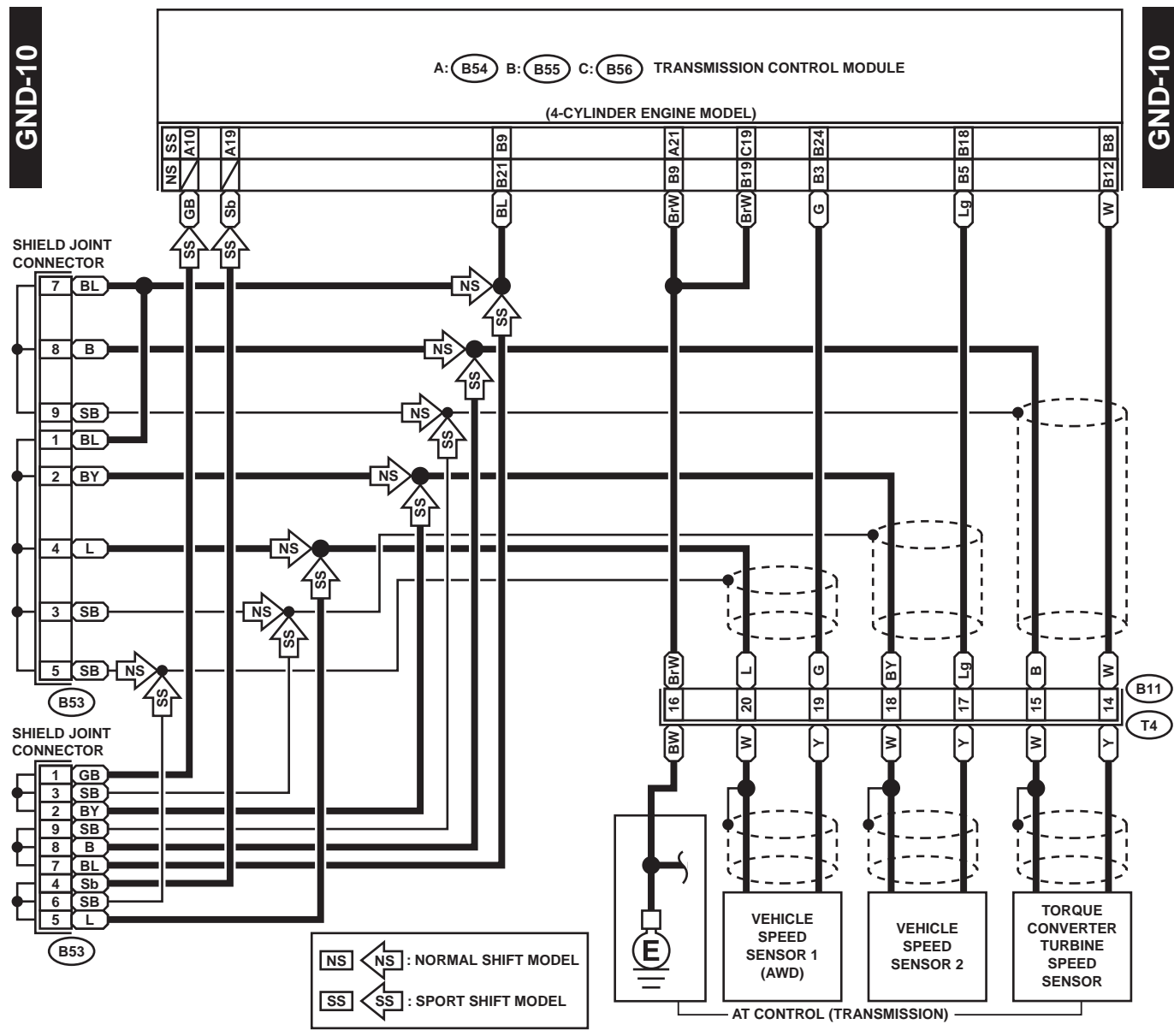
WIRING SYSTEM



WI-00522

GROUND DISTRIBUTION

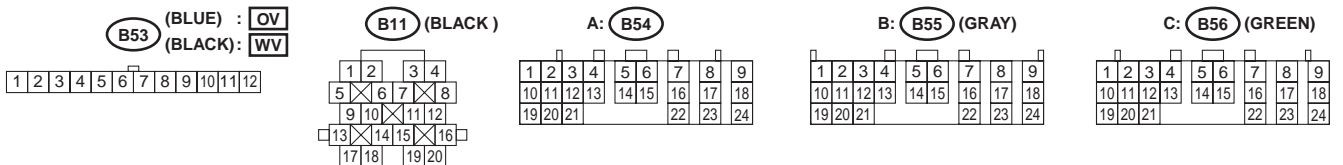
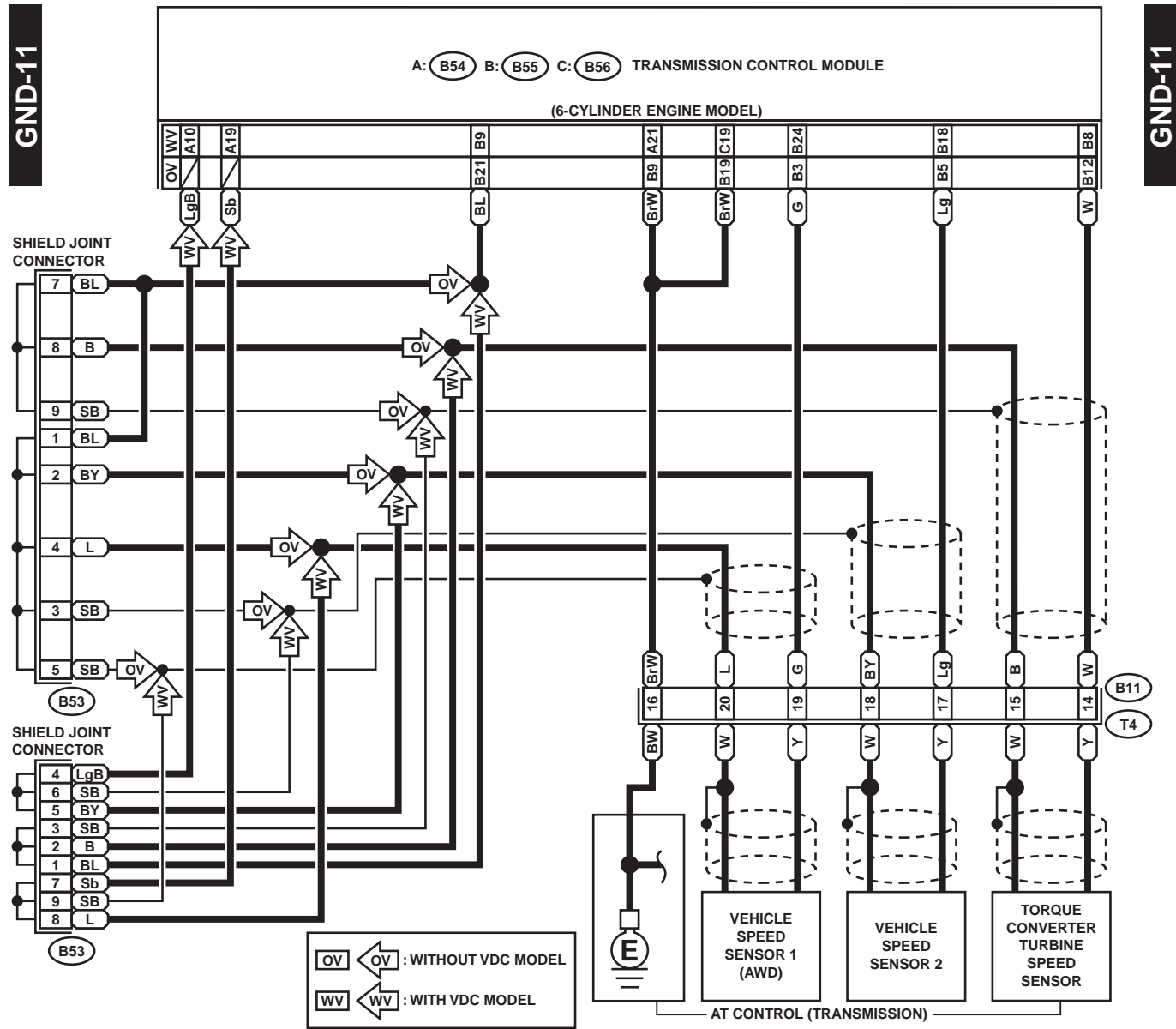
WIRING SYSTEM



WI-00524

GROUND DISTRIBUTION

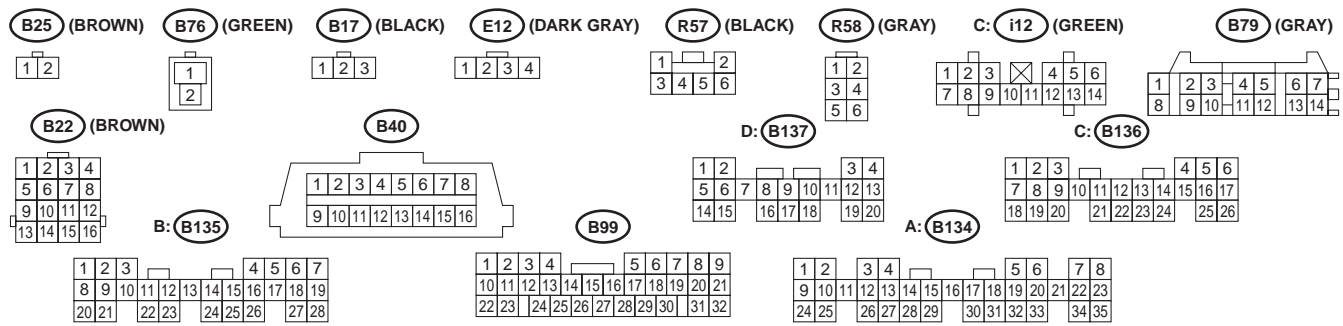
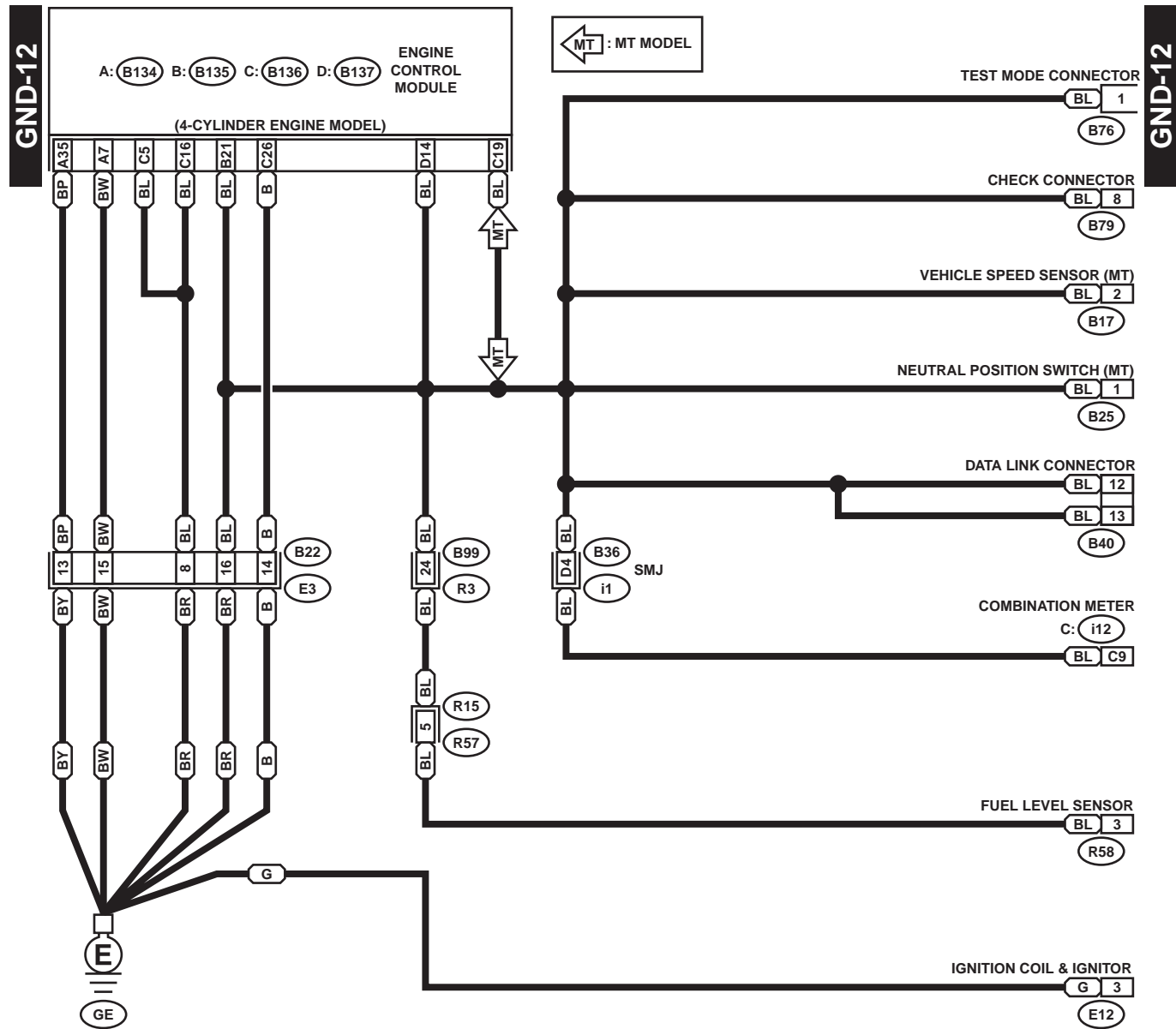
WIRING SYSTEM



WI-00525

GROUND DISTRIBUTION

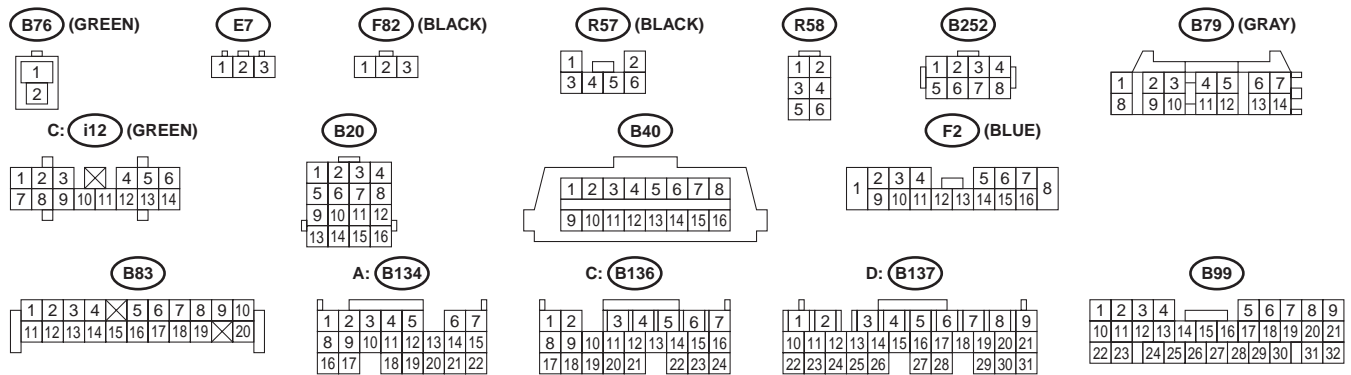
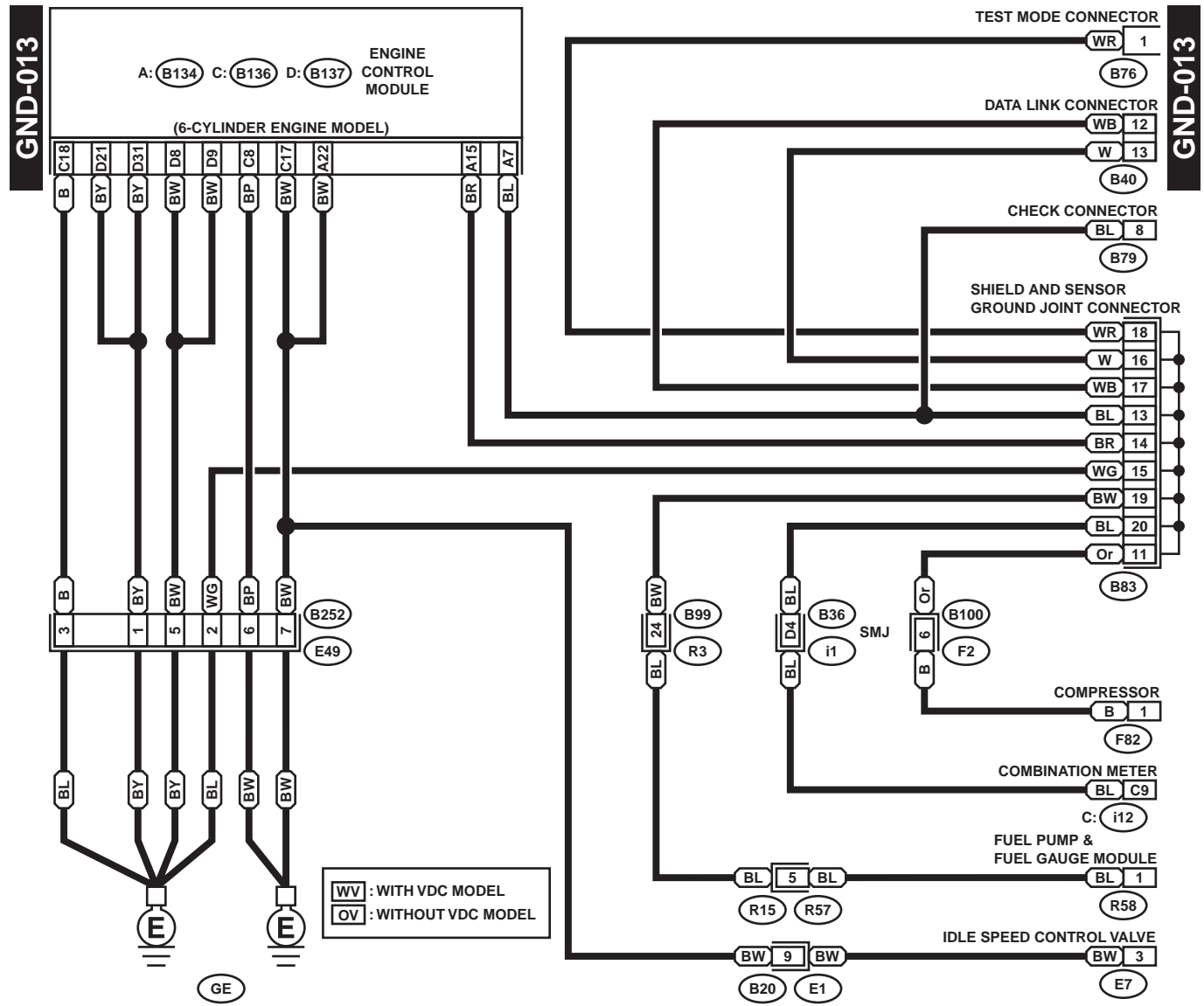
WIRING SYSTEM



WI-00527

GROUND DISTRIBUTION

WIRING SYSTEM



WI-00528

GROUND DISTRIBUTION

WIRING SYSTEM

MEMO: