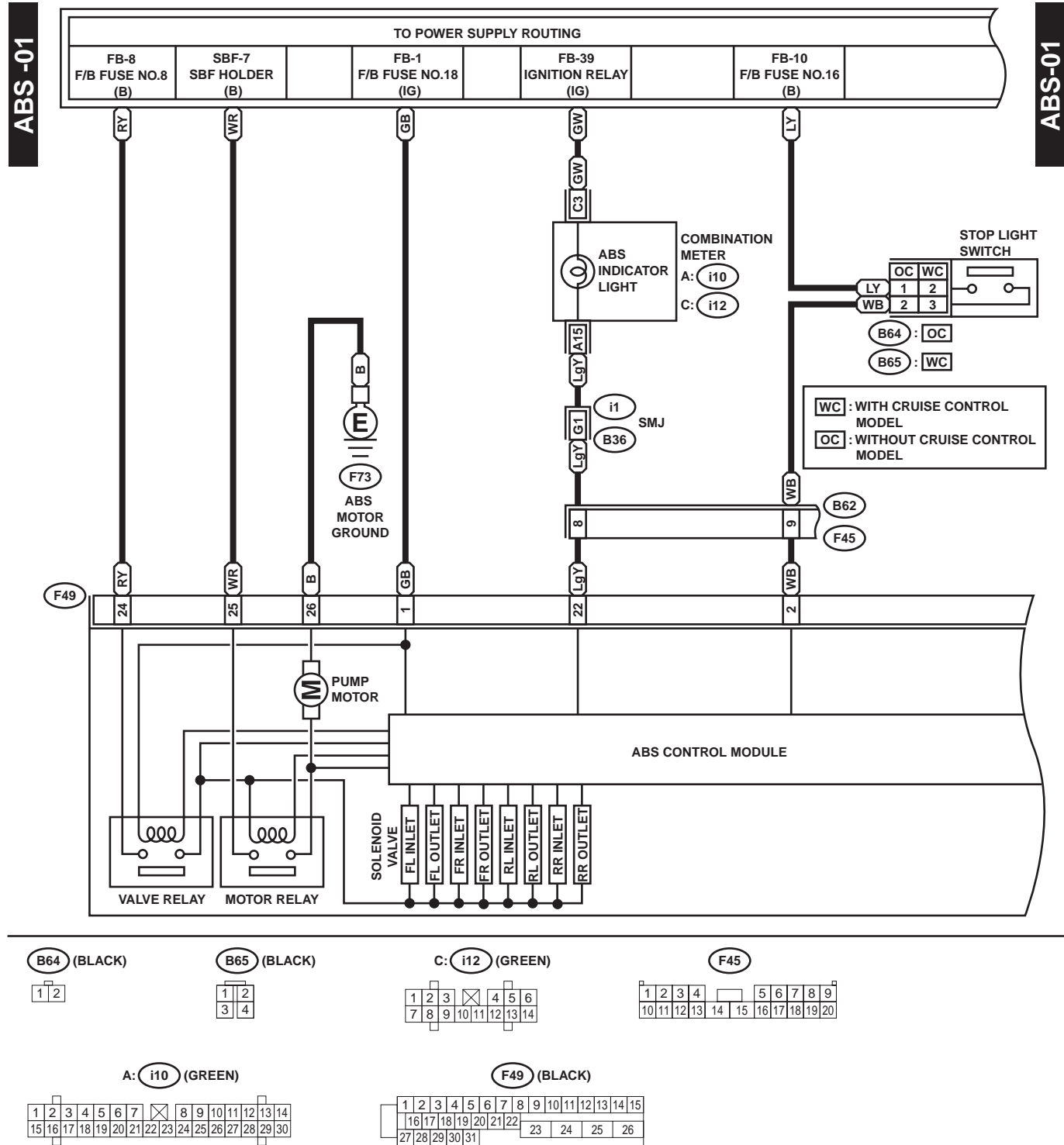


# ANTI-LOCK BRAKE SYSTEM

WIRING SYSTEM

## 9. Anti-lock Brake System

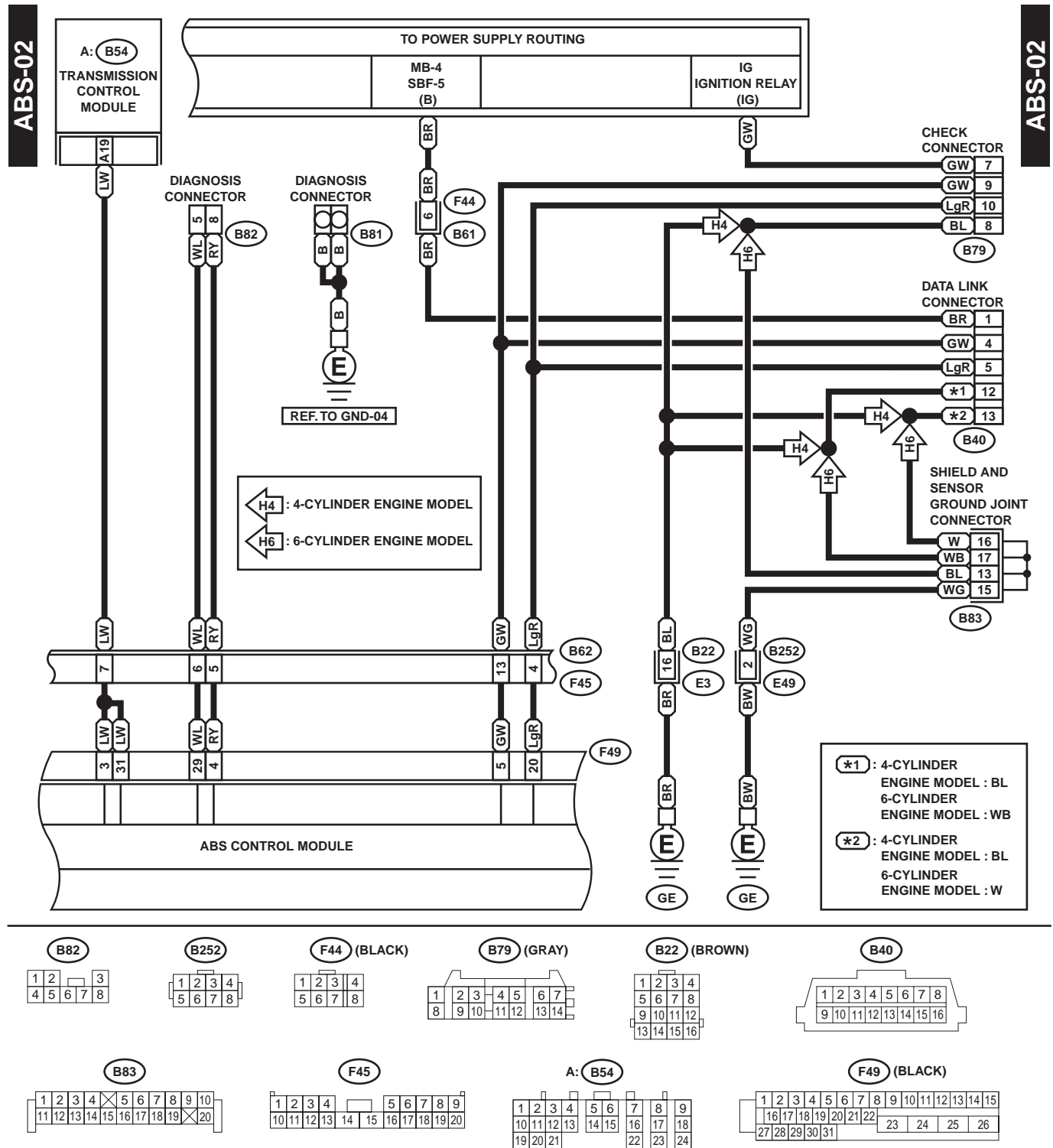
### A: SCHEMATIC



WI-00538

# ANTI-LOCK BRAKE SYSTEM

WIRING SYSTEM



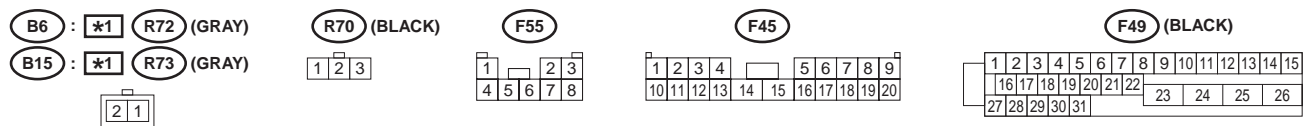
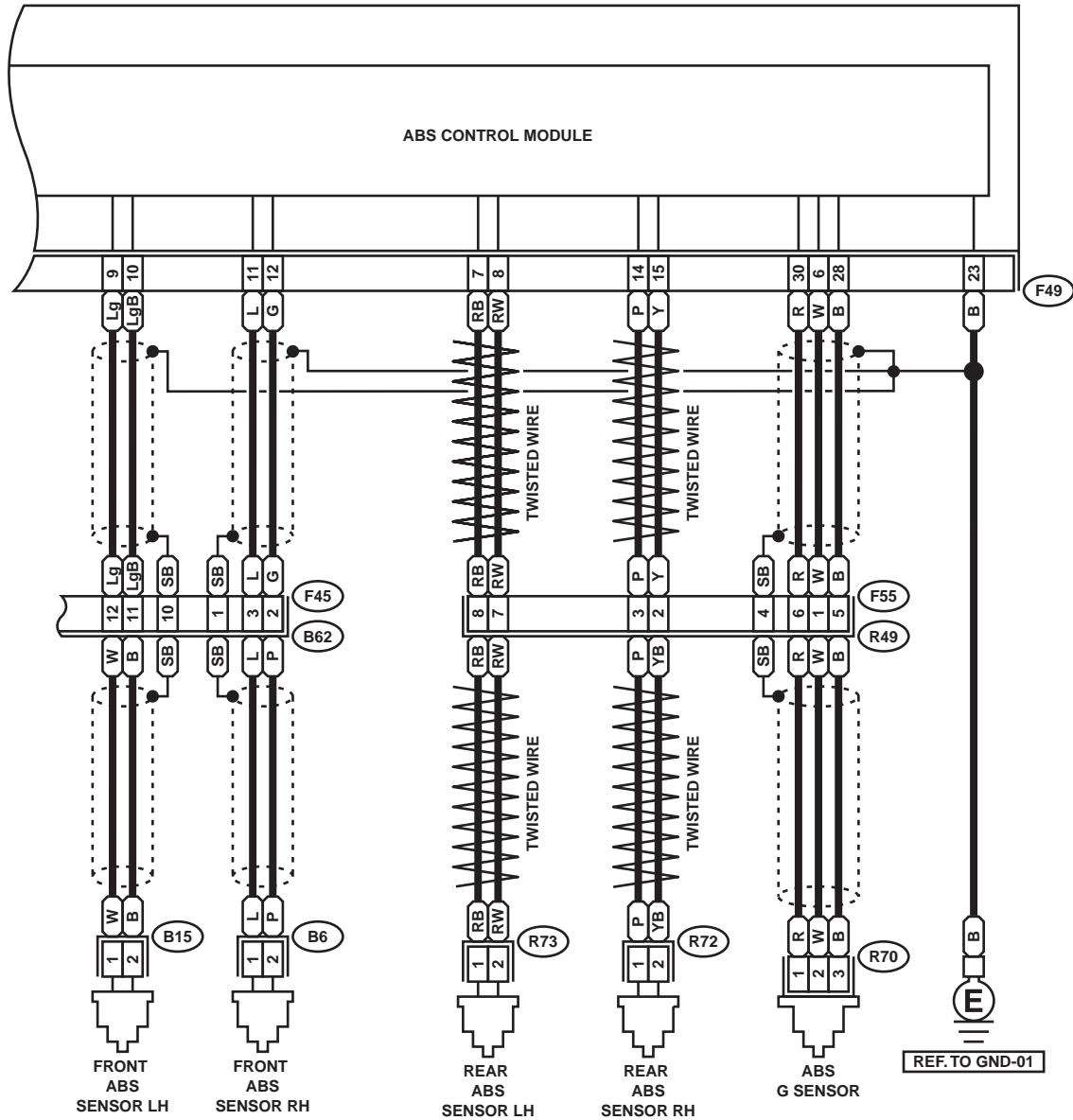
WI-01059

# ANTI-LOCK BRAKE SYSTEM

WIRING SYSTEM

ABS-03

ABS-03



\*1 : OUT BACK & H6 : (BROWN)  
EXCEPT MODELS : (GRAY)  
H6 : 6-CYLINDER ENGINE MODEL

WI-00540

## ANTI-LOCK BRAKE SYSTEM

WIRING SYSTEM

---

MEMO: