

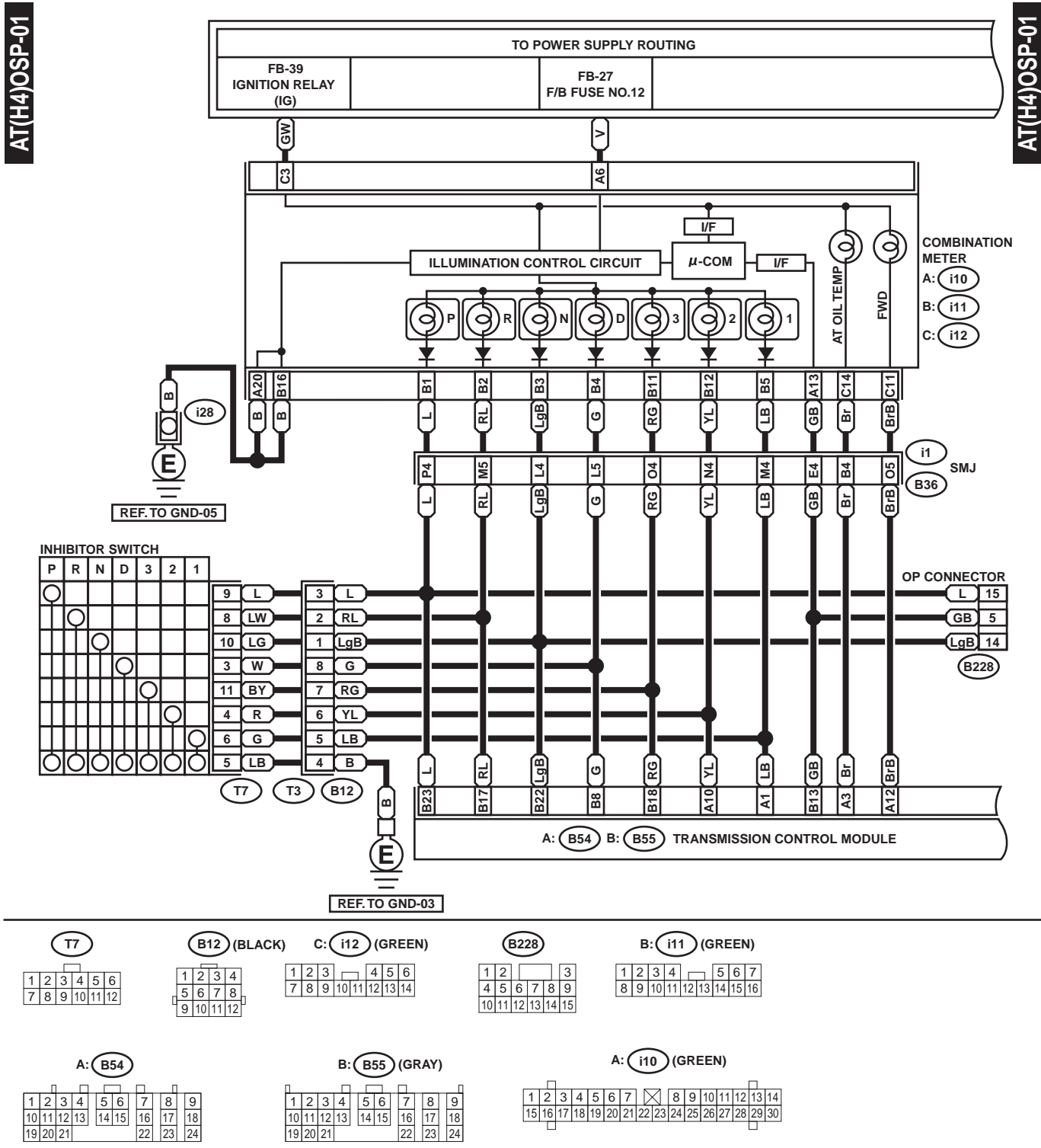
# A/T CONTROL SYSTEM

WIRING SYSTEM

## 10.A/T Control System

### A: SCHEMATIC

#### 1. 4-CYLINDER ENGINE WITHOUT SPORTS SHIFT MODEL



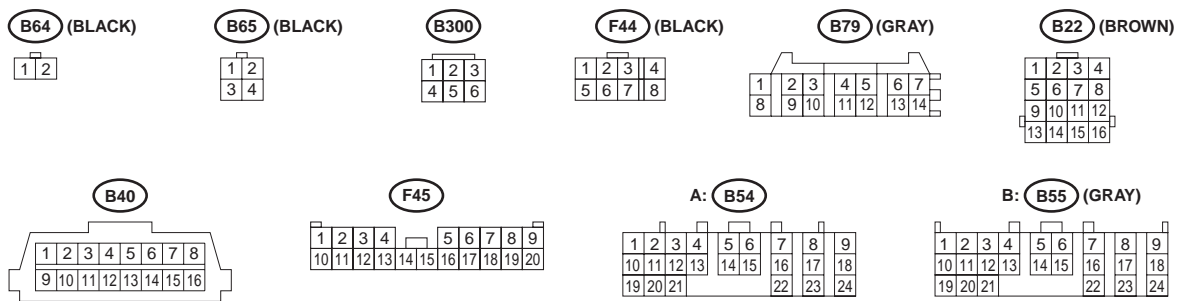
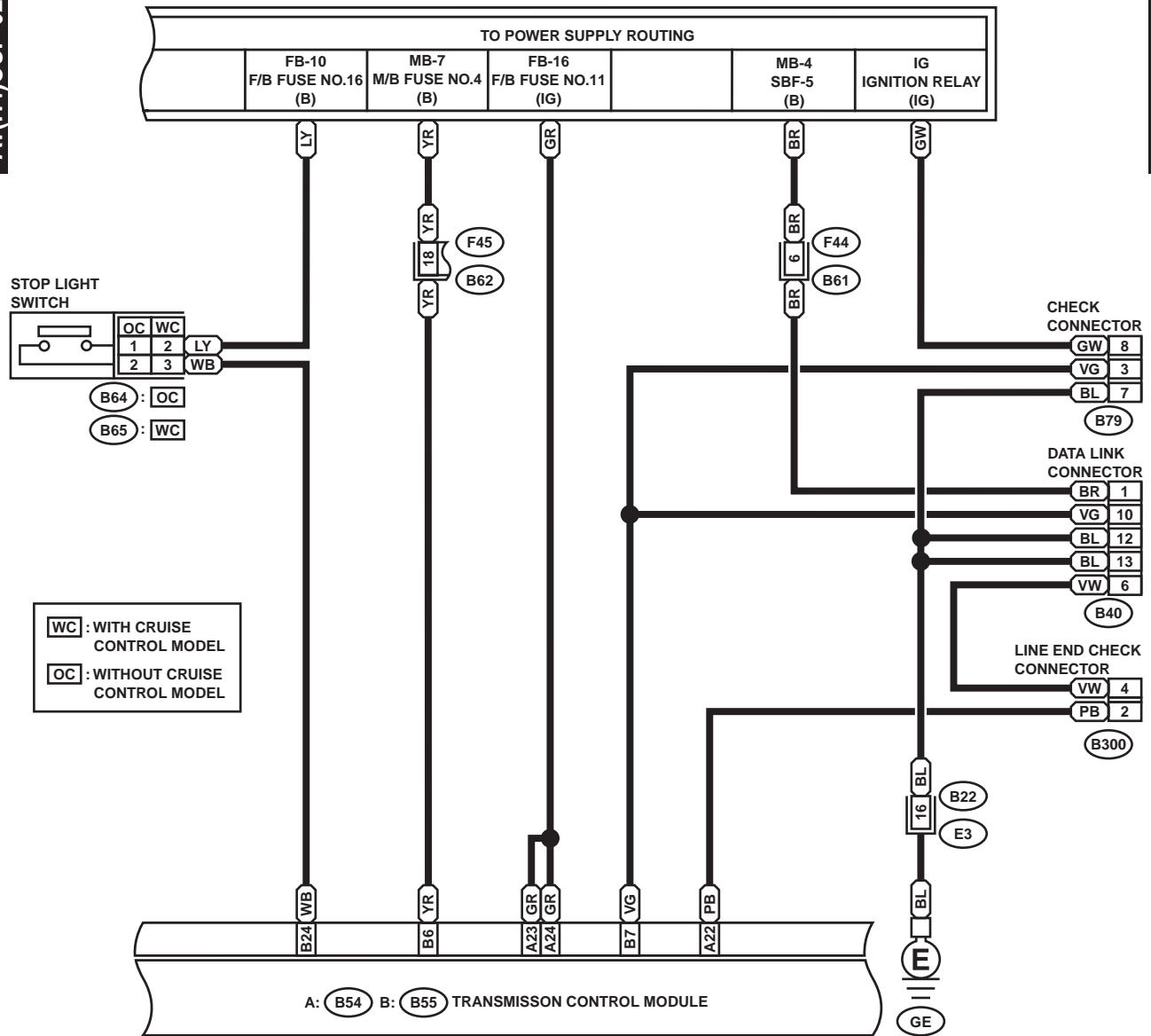
WI-00541

# A/T CONTROL SYSTEM

WIRING SYSTEM

AT(H4)OSP-02

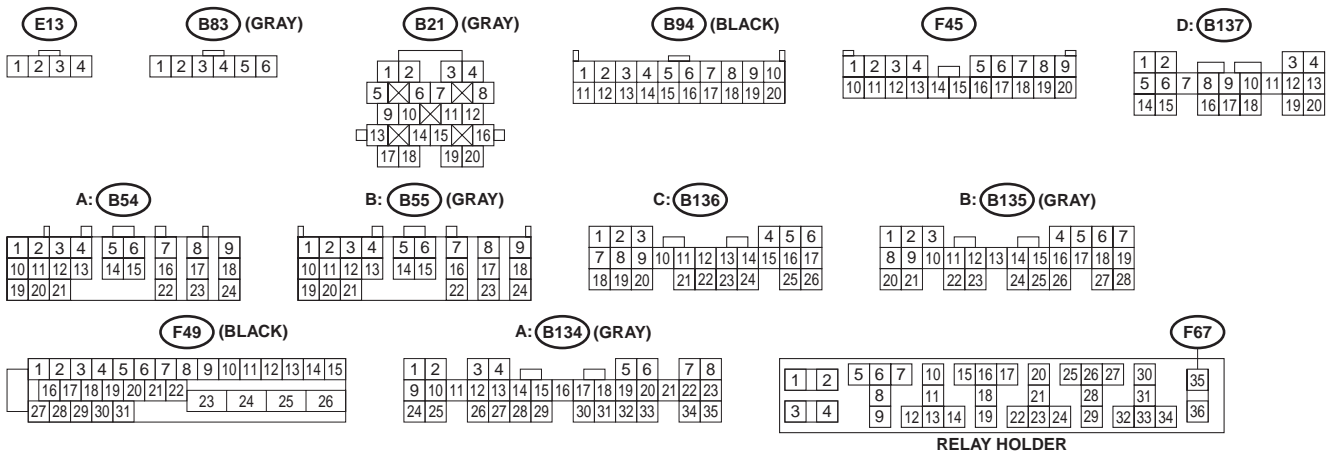
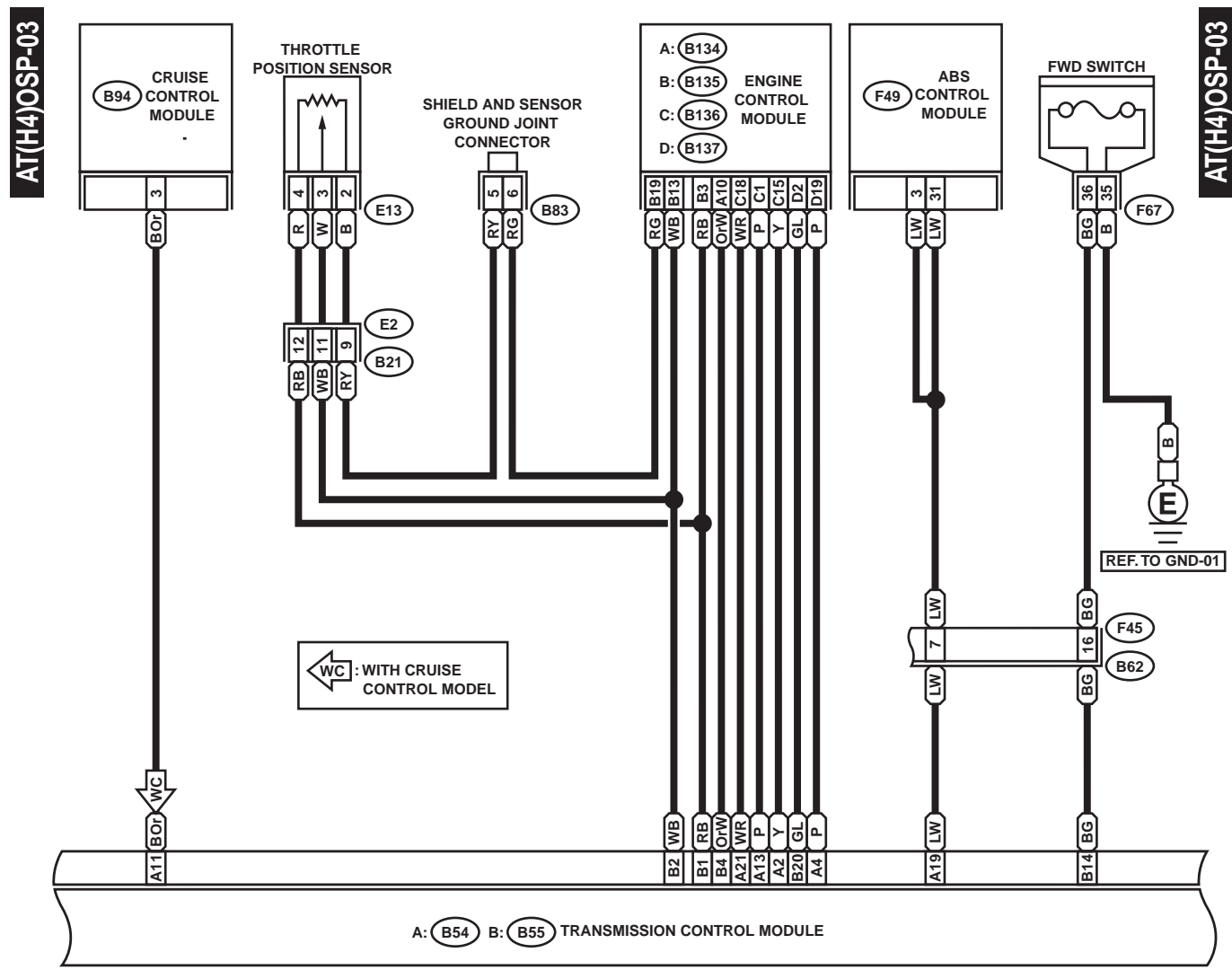
AT(H4)OSP-02



WI-00542

# A/T CONTROL SYSTEM

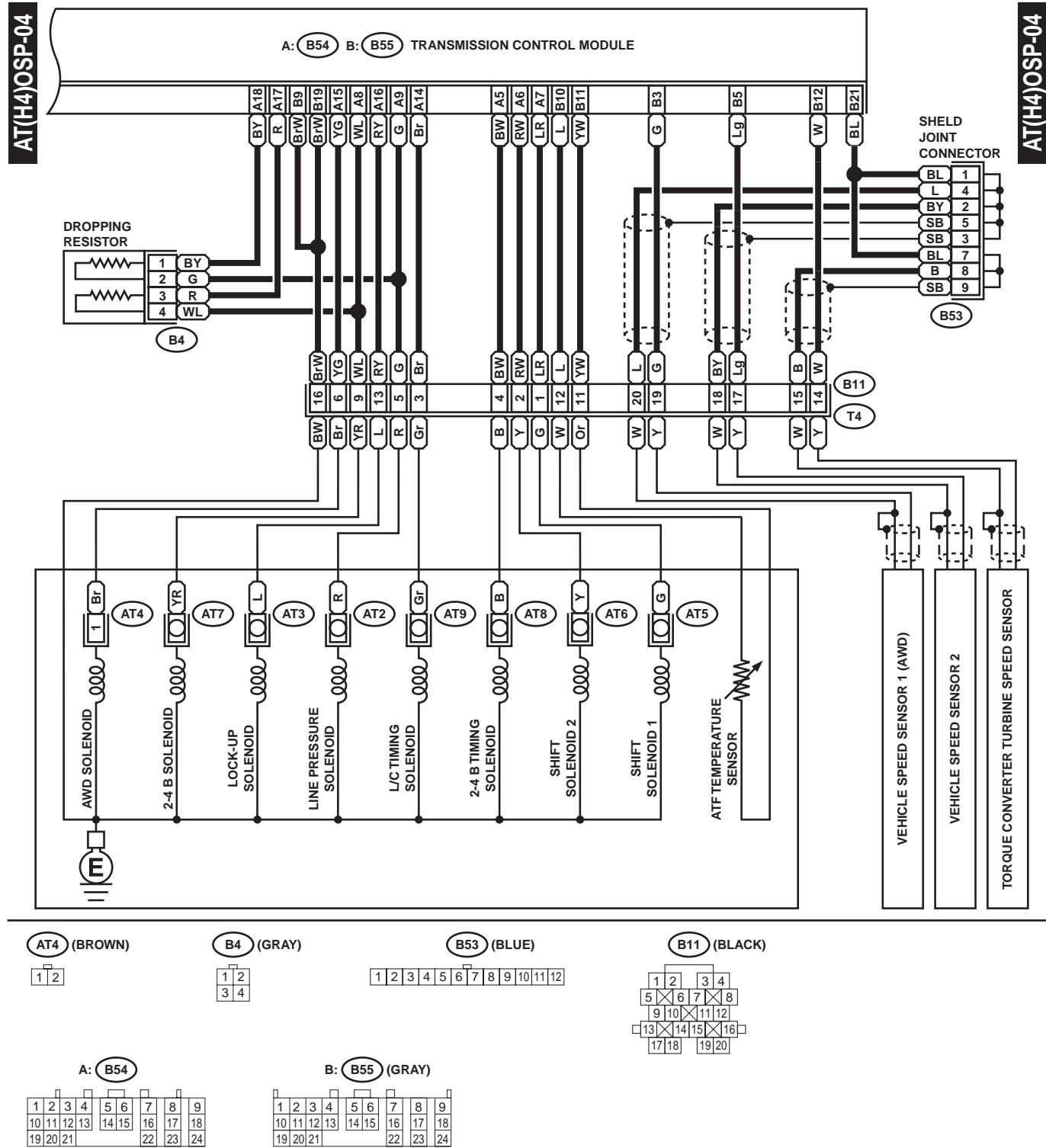
## WIRING SYSTEM



WI-00543

# A/T CONTROL SYSTEM

WIRING SYSTEM

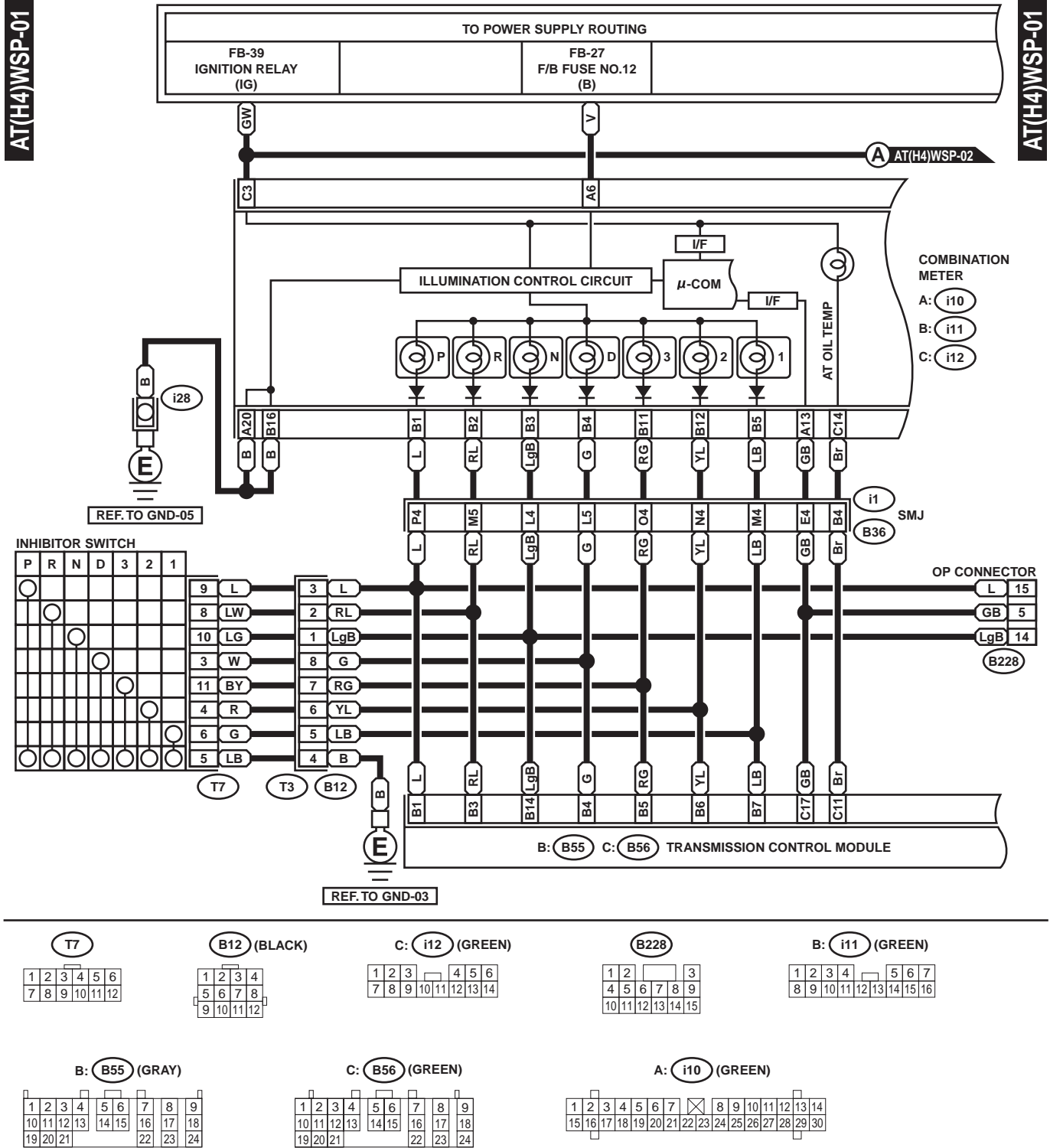


WI-00544

# A/T CONTROL SYSTEM

WIRING SYSTEM

## 2. 4-CYLINDER ENGINE WITH SPORTS SHIFT MODEL



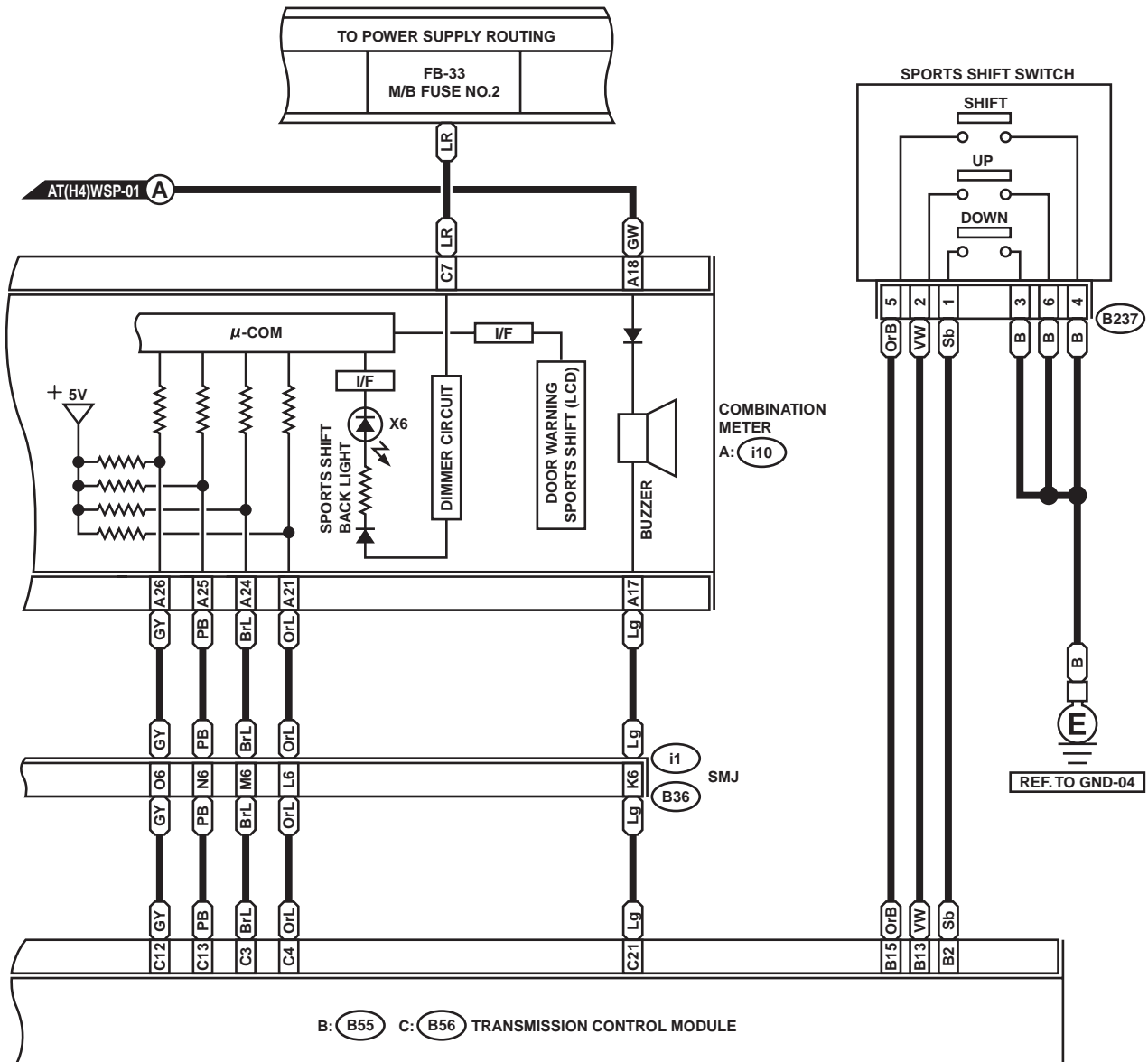
WI-00549

# A/T CONTROL SYSTEM

WIRING SYSTEM

AT(H4)WSP-02

AT(H4)WSP-02



B237 (BLACK)

1	2
3	4
5	6

B: B55 (GRAY)

1	2	3	4	5	6	7	8	9
10	11	12	13	14	15	16	17	18
19	20	21				22	23	24

C: B56 (GREEN)

1	2	3	4	5	6	7	8	9
10	11	12	13	14	15	16	17	18
19	20	21				22	23	24

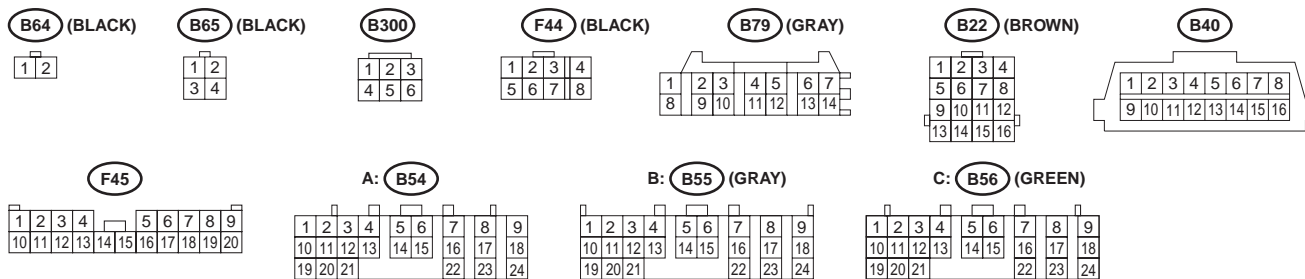
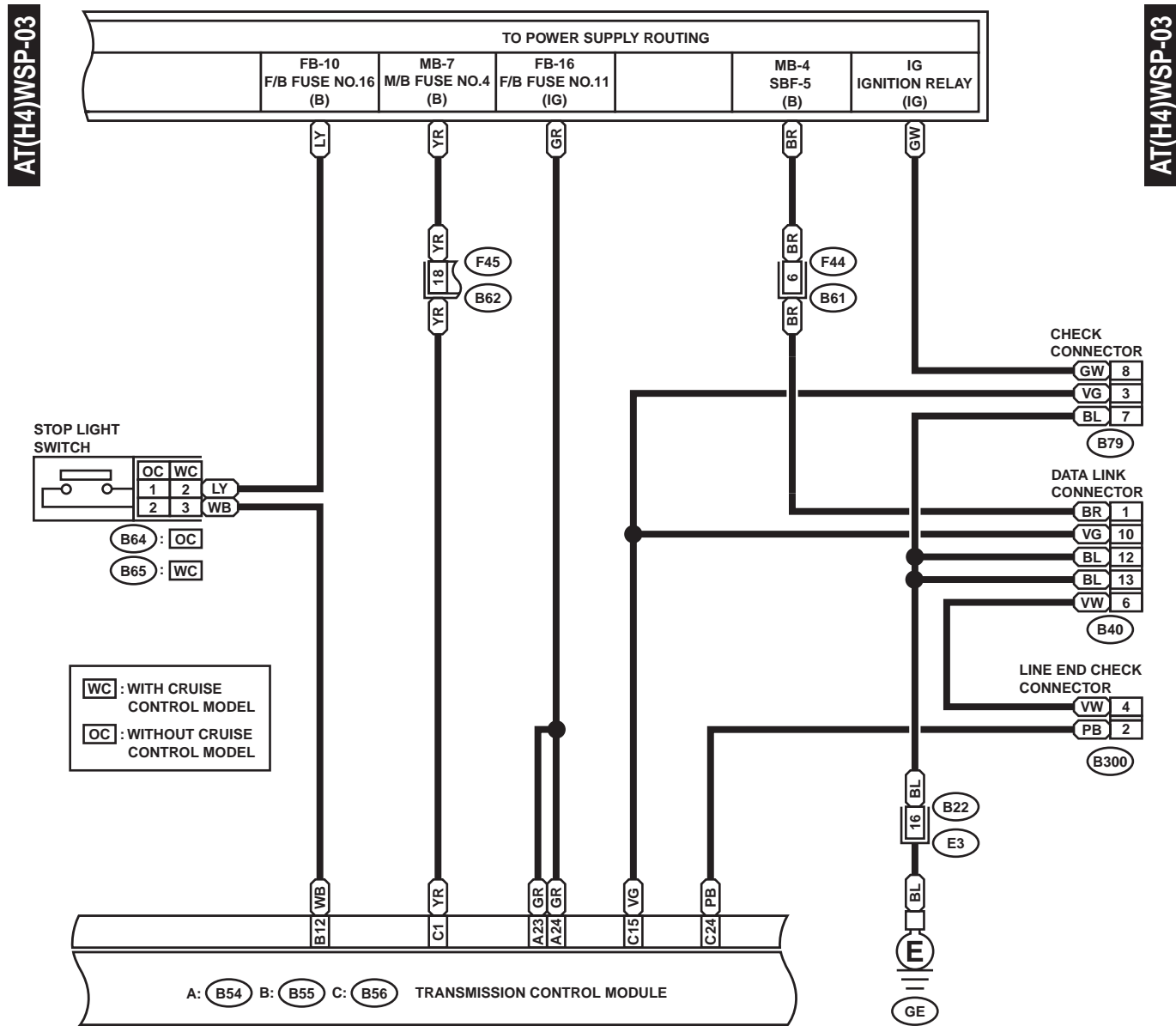
A: i10 (GREEN)

1	2	3	4	5	6	7	8	9	10	11	12	13	14		
15	16	17	18	19	20	21	22	23	24	25	26	27	28	29	30

WI-00550

# A/T CONTROL SYSTEM

WIRING SYSTEM



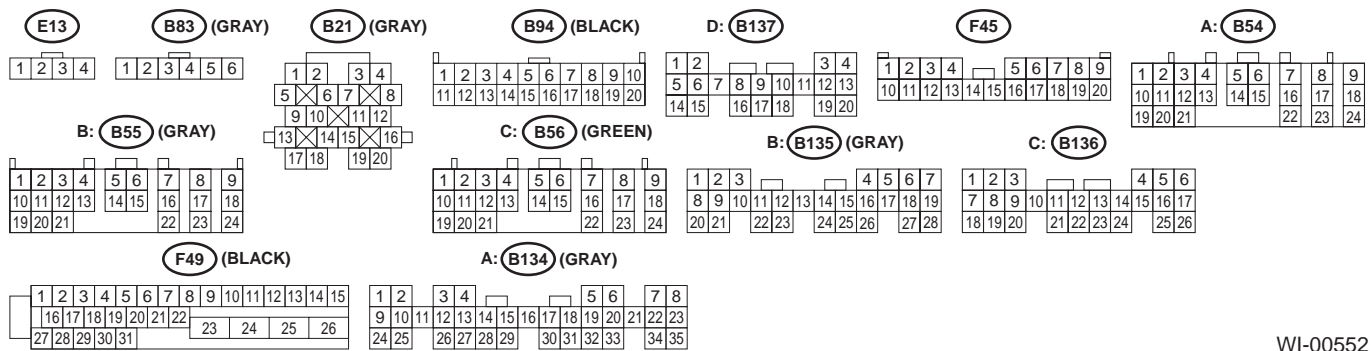
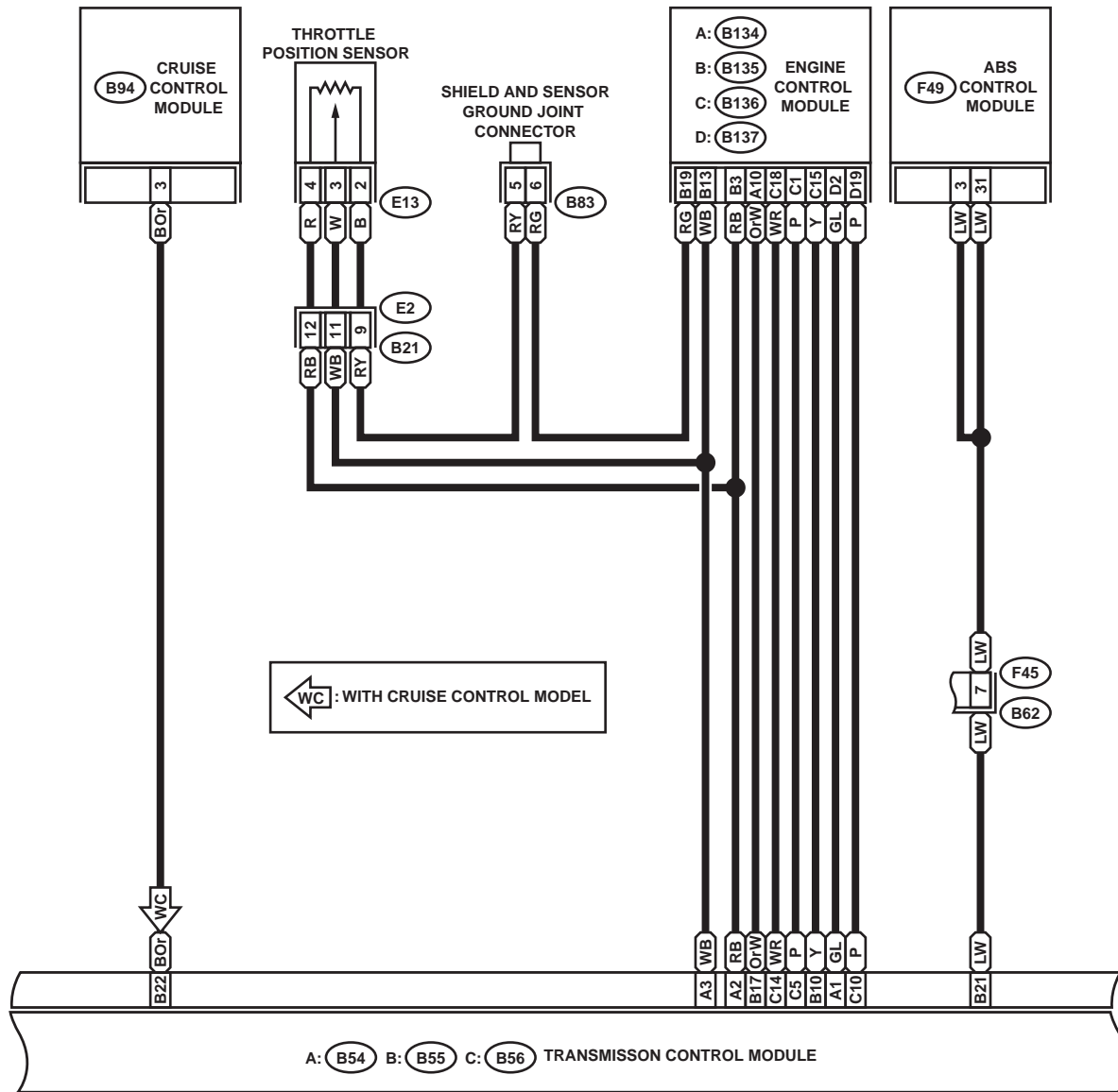
WI-00551

# A/T CONTROL SYSTEM

WIRING SYSTEM

AT(H4)WSP-04

AT(H4)WSP-04

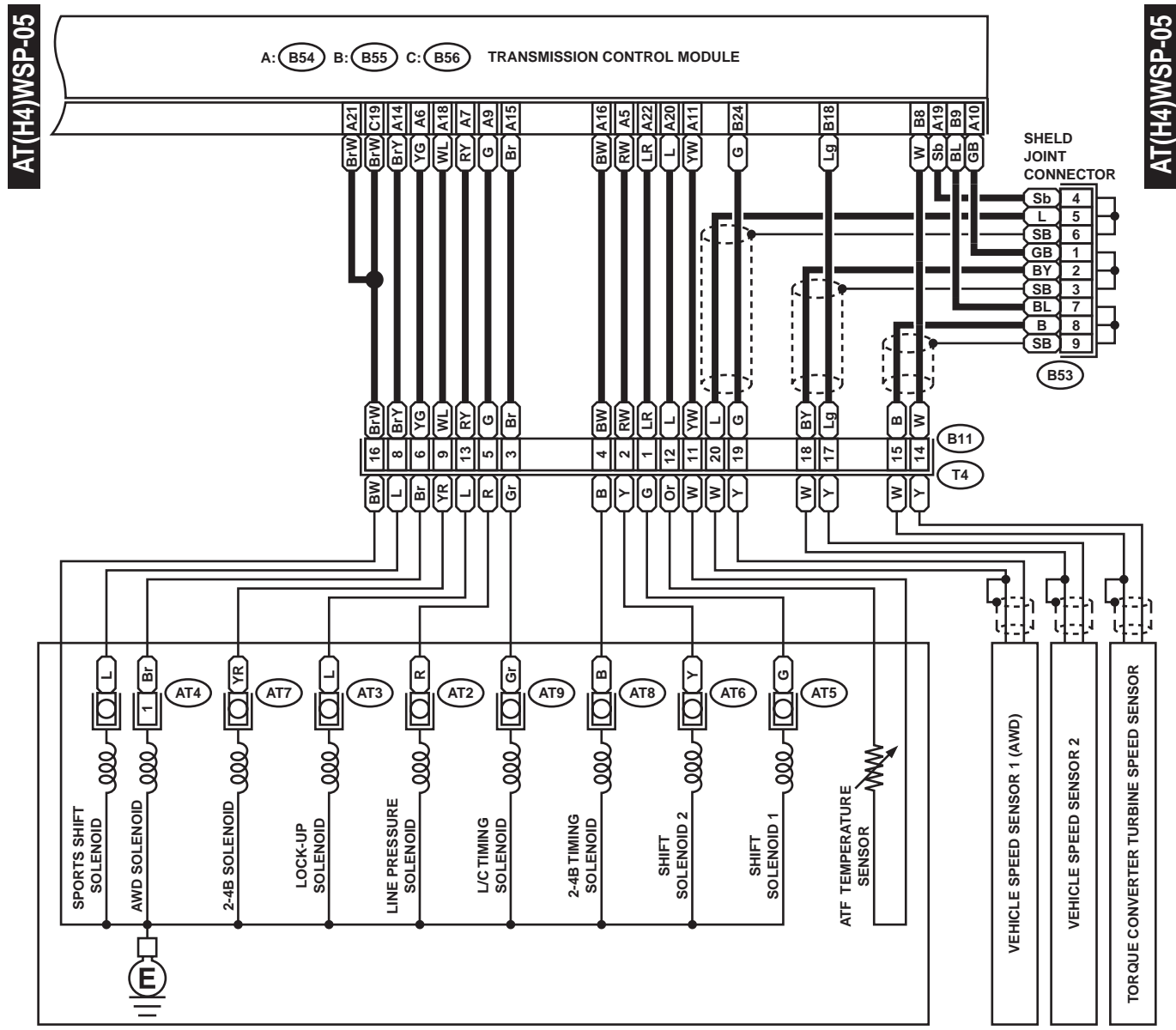


WI-00552



# A/T CONTROL SYSTEM

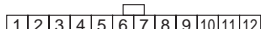
WIRING SYSTEM



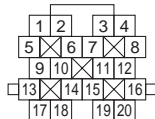
AT4 (BROWN)



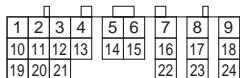
B53



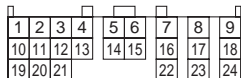
B11 (BLACK)



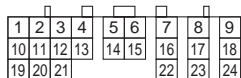
A: B54



B: B55 (GRAY)



C: B56 (GREEN)

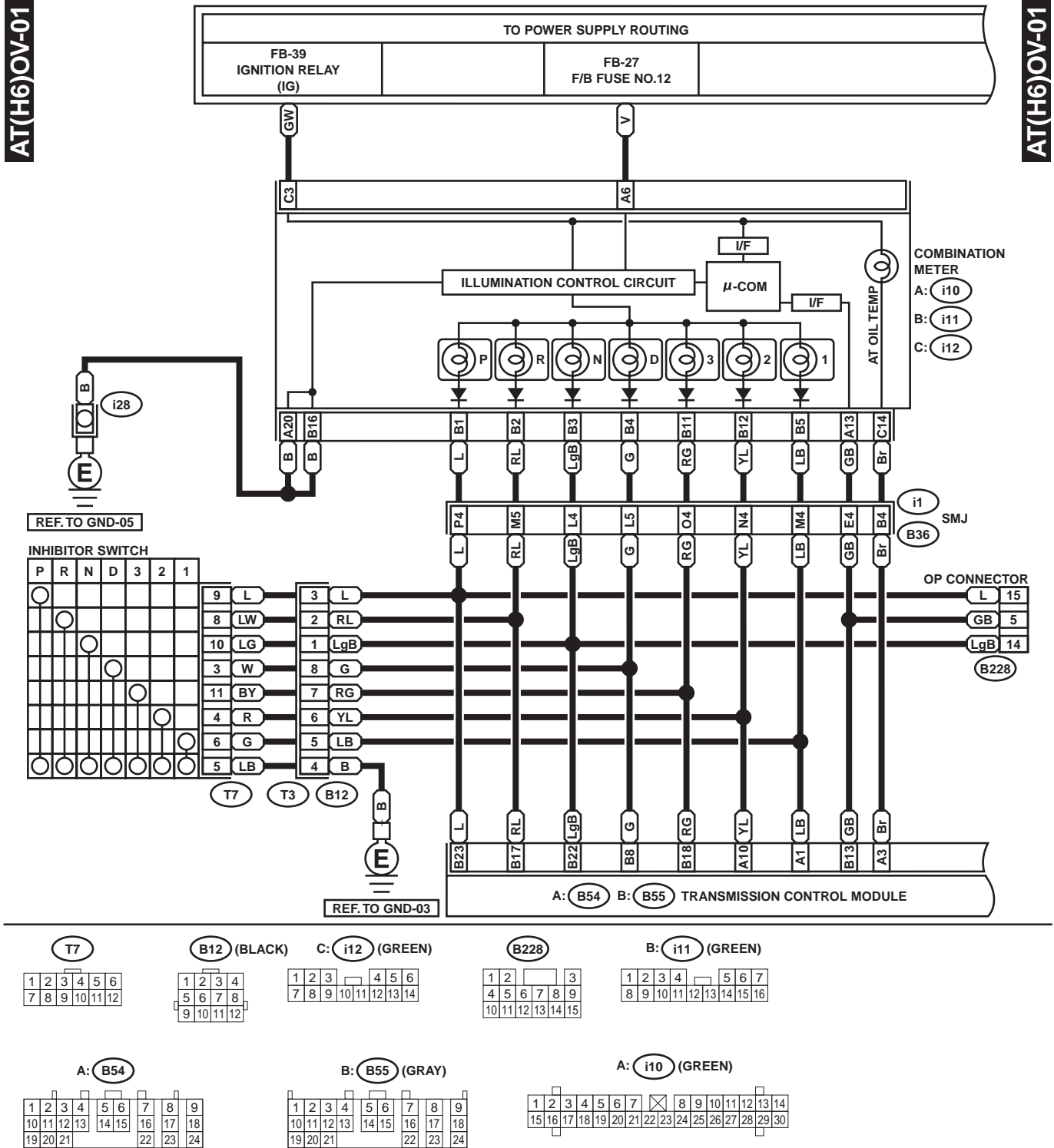


WI-00553

# A/T CONTROL SYSTEM

WIRING SYSTEM

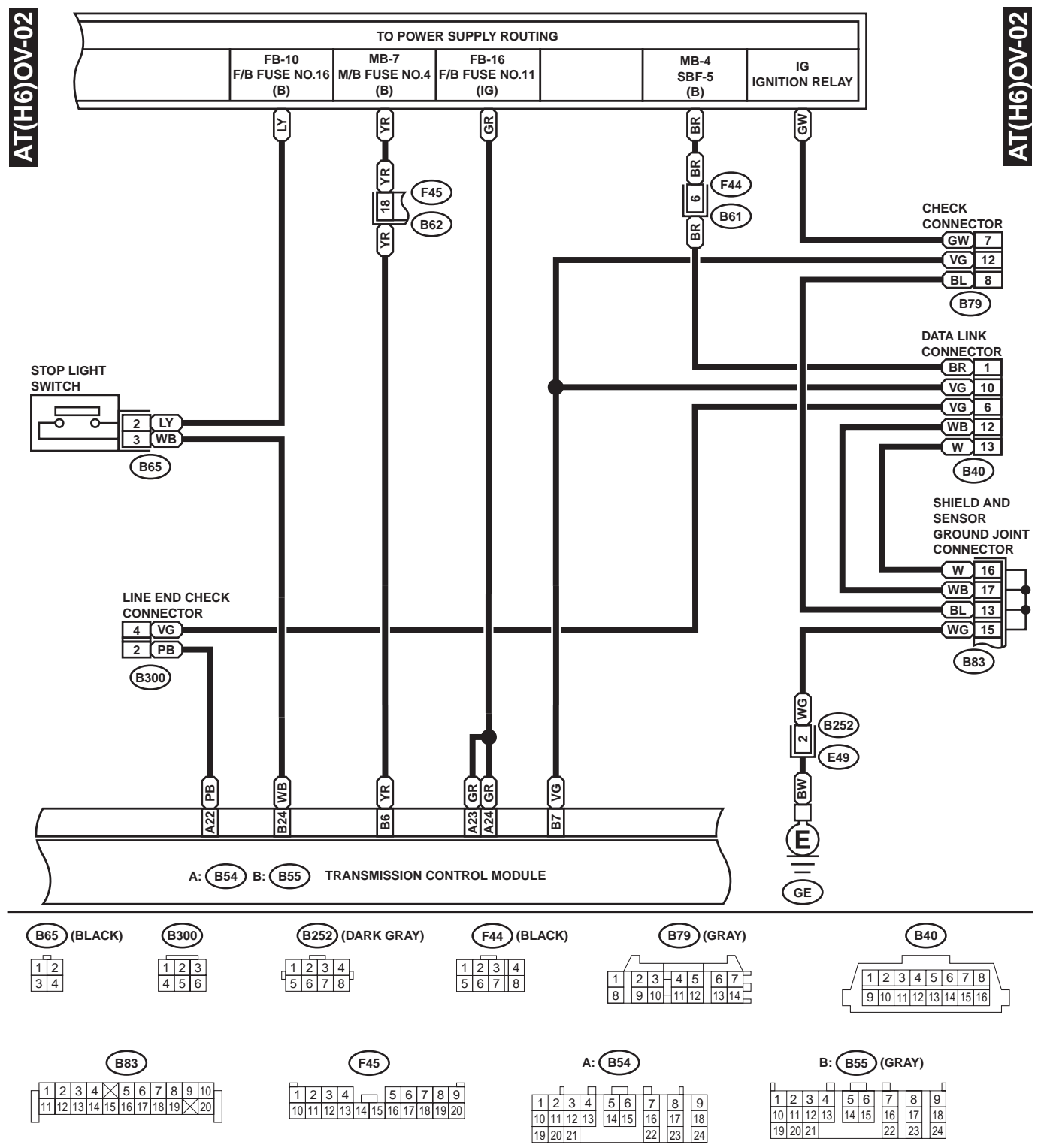
## 3. 6-CYLINDER ENGINE WITHOUT VDC MODEL



WI-00559

# A/T CONTROL SYSTEM

WIRING SYSTEM



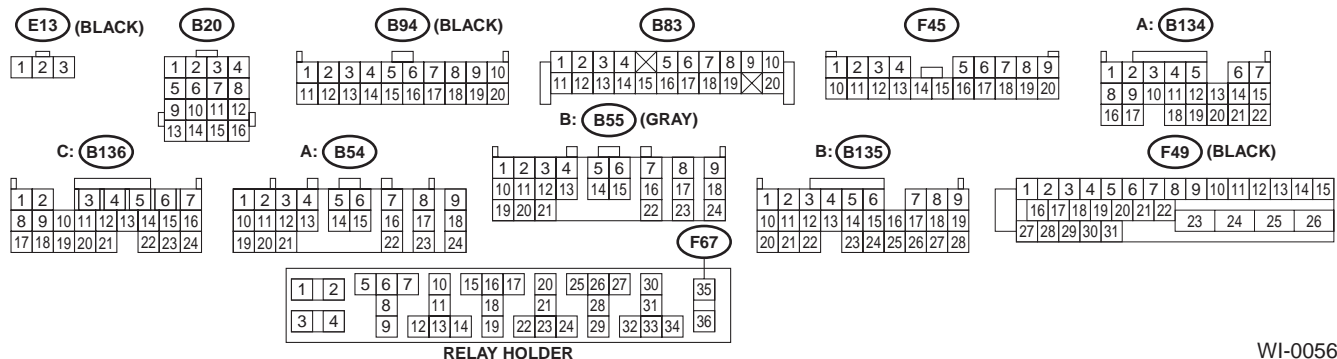
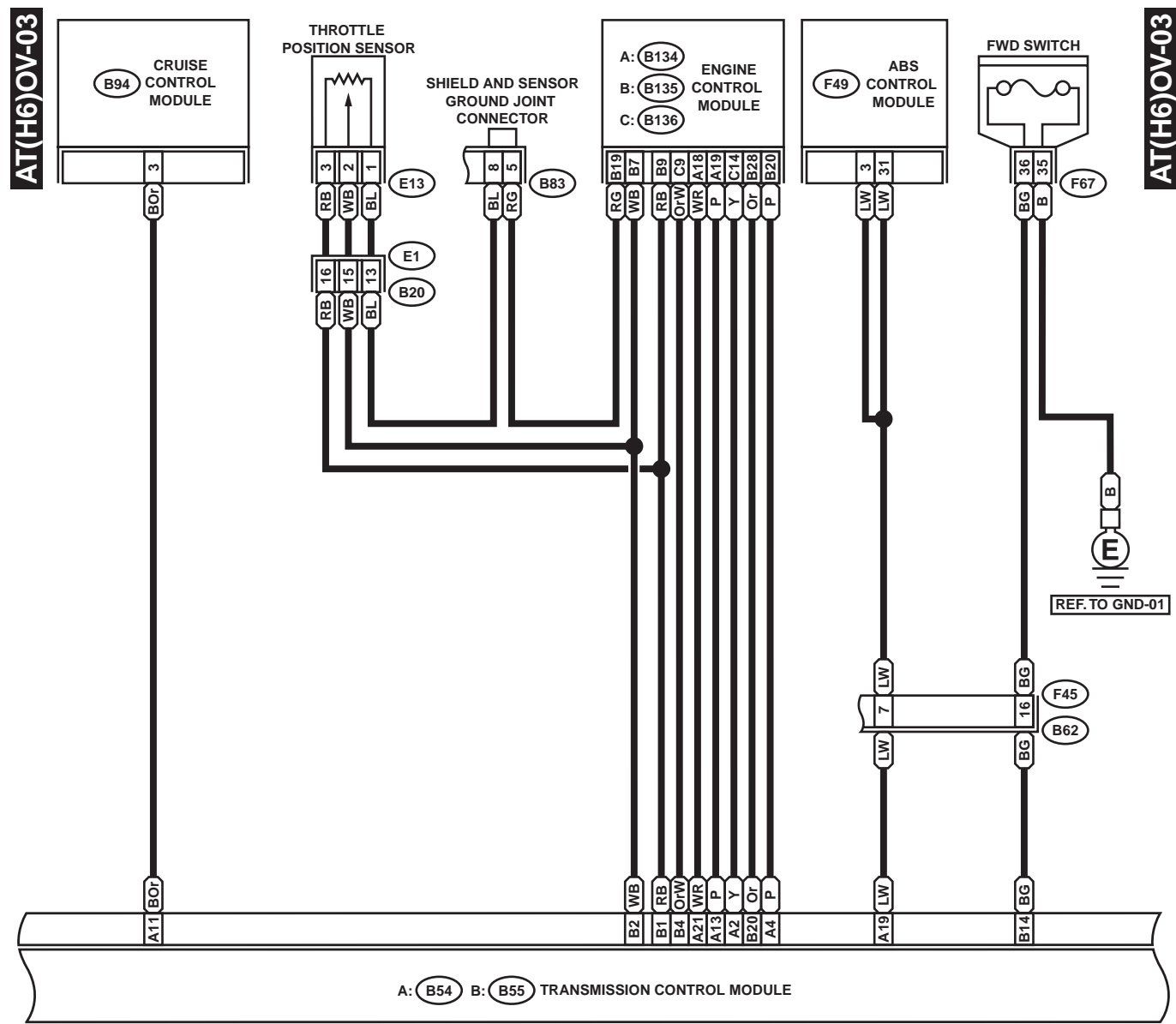
AT(H6)OV-02

AT(H6)OV-02

WI-00560

# A/T CONTROL SYSTEM

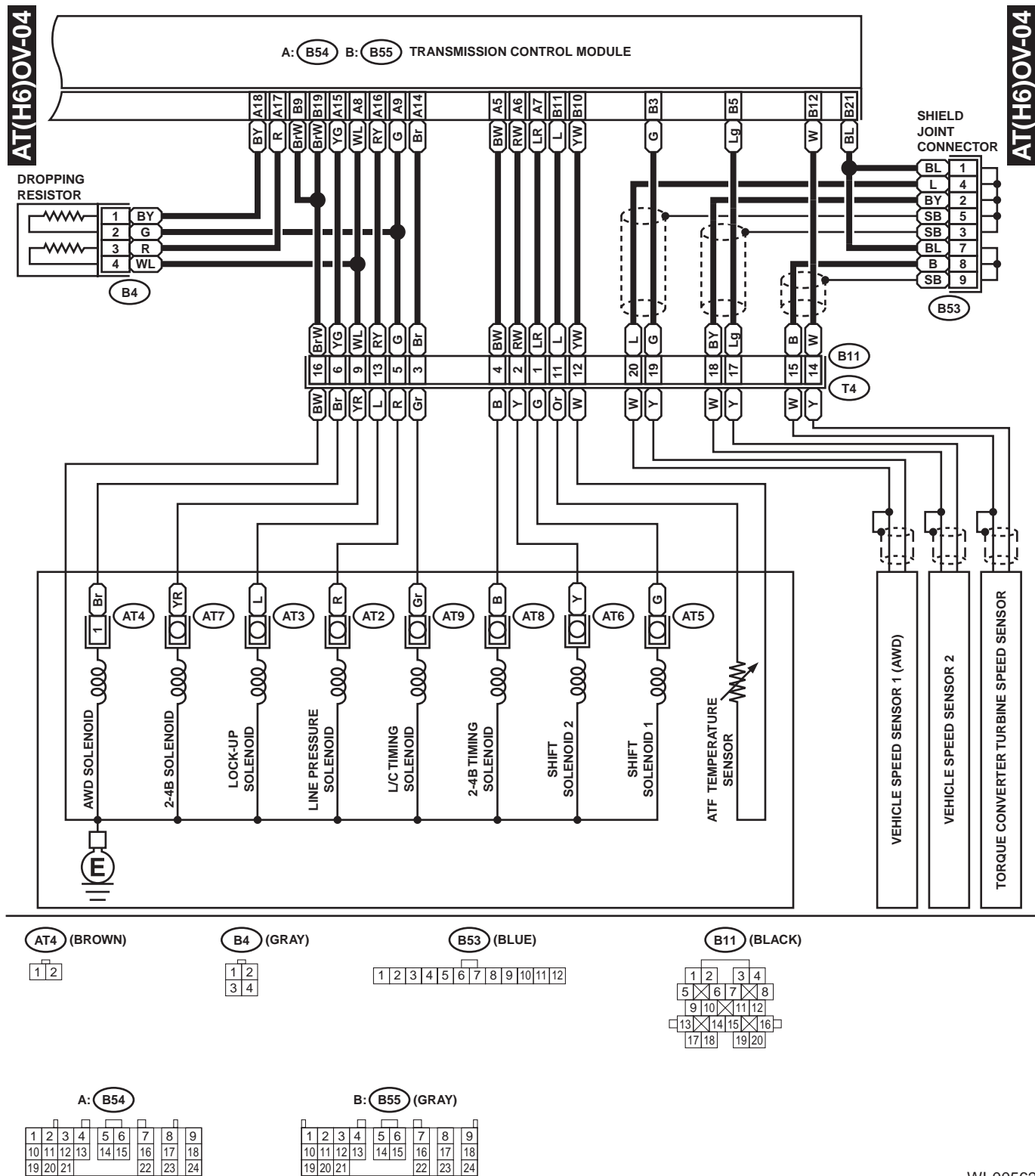
WIRING SYSTEM



WI-00561

# A/T CONTROL SYSTEM

WIRING SYSTEM

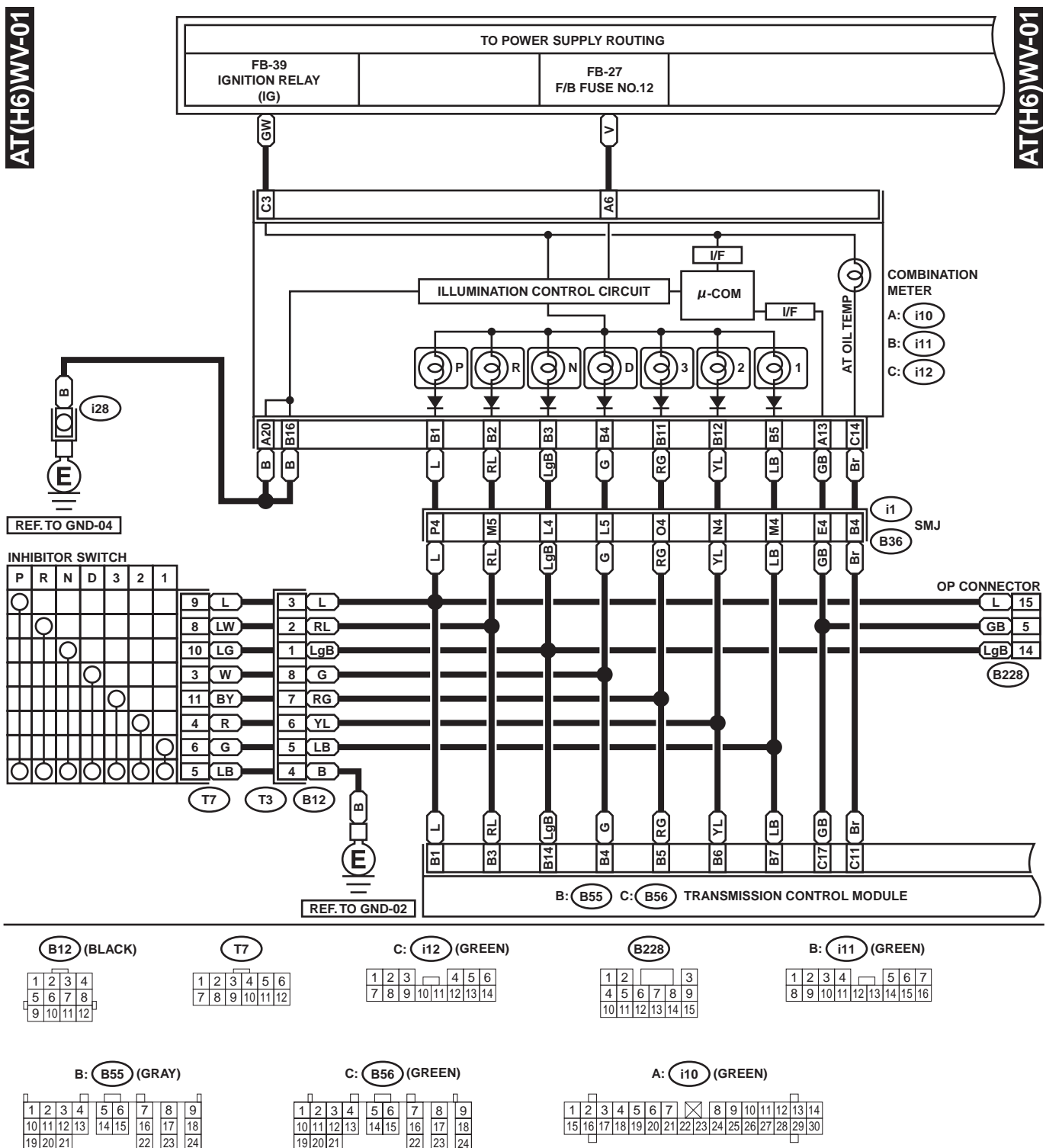


WI-00562

# A/T CONTROL SYSTEM

WIRING SYSTEM

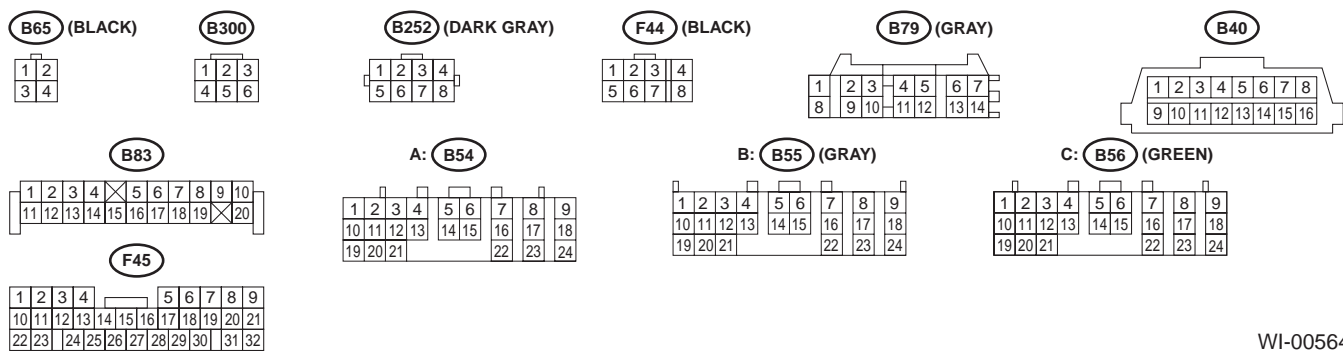
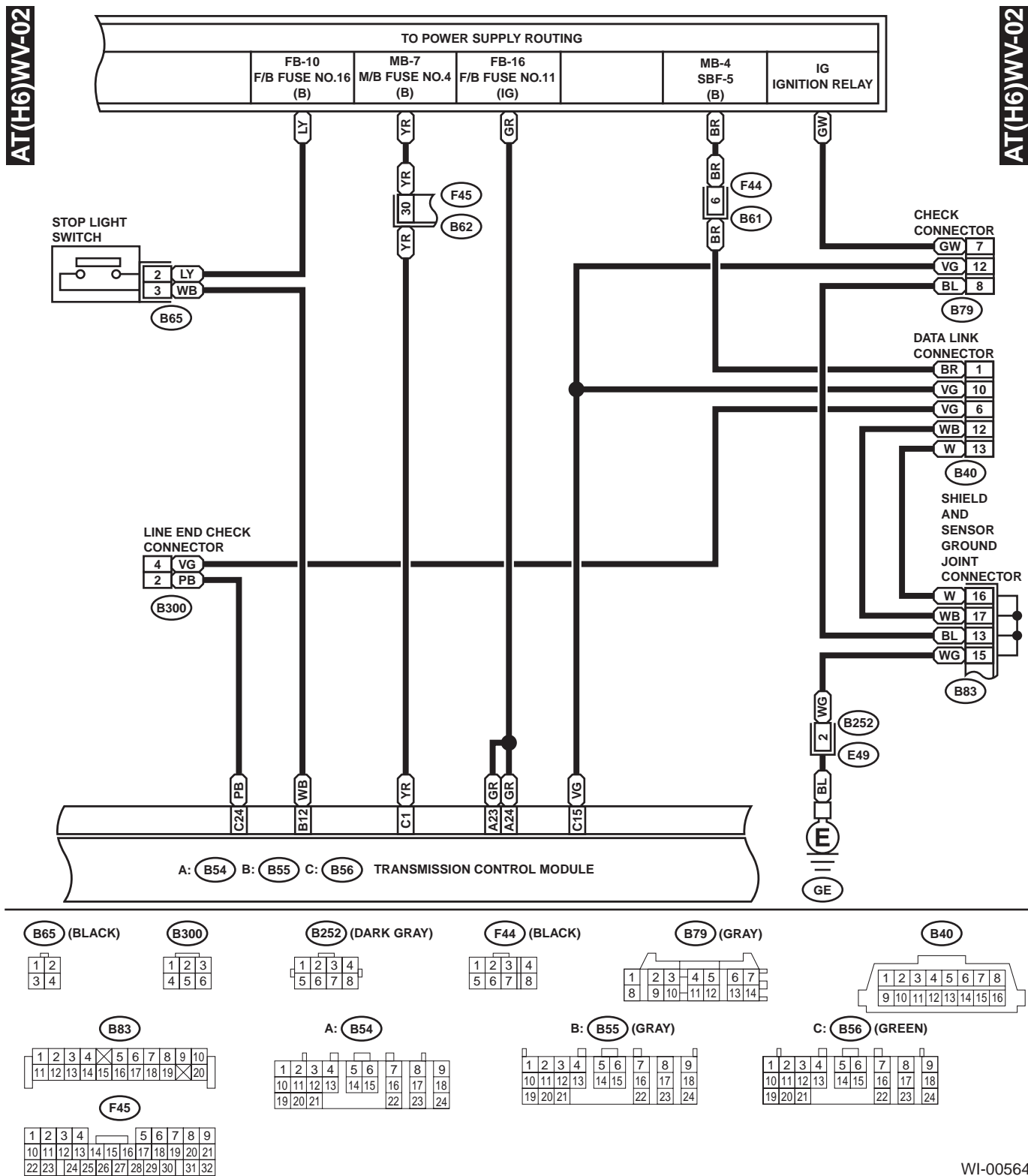
## 4. 6-CYLINDER ENGINE WITH VDC MODEL



WI-00563

# A/T CONTROL SYSTEM

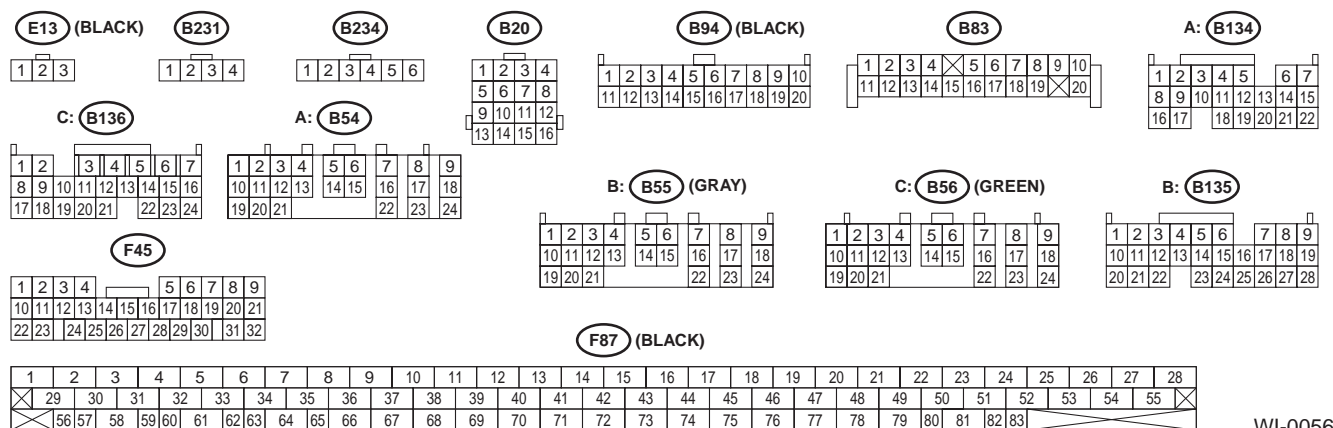
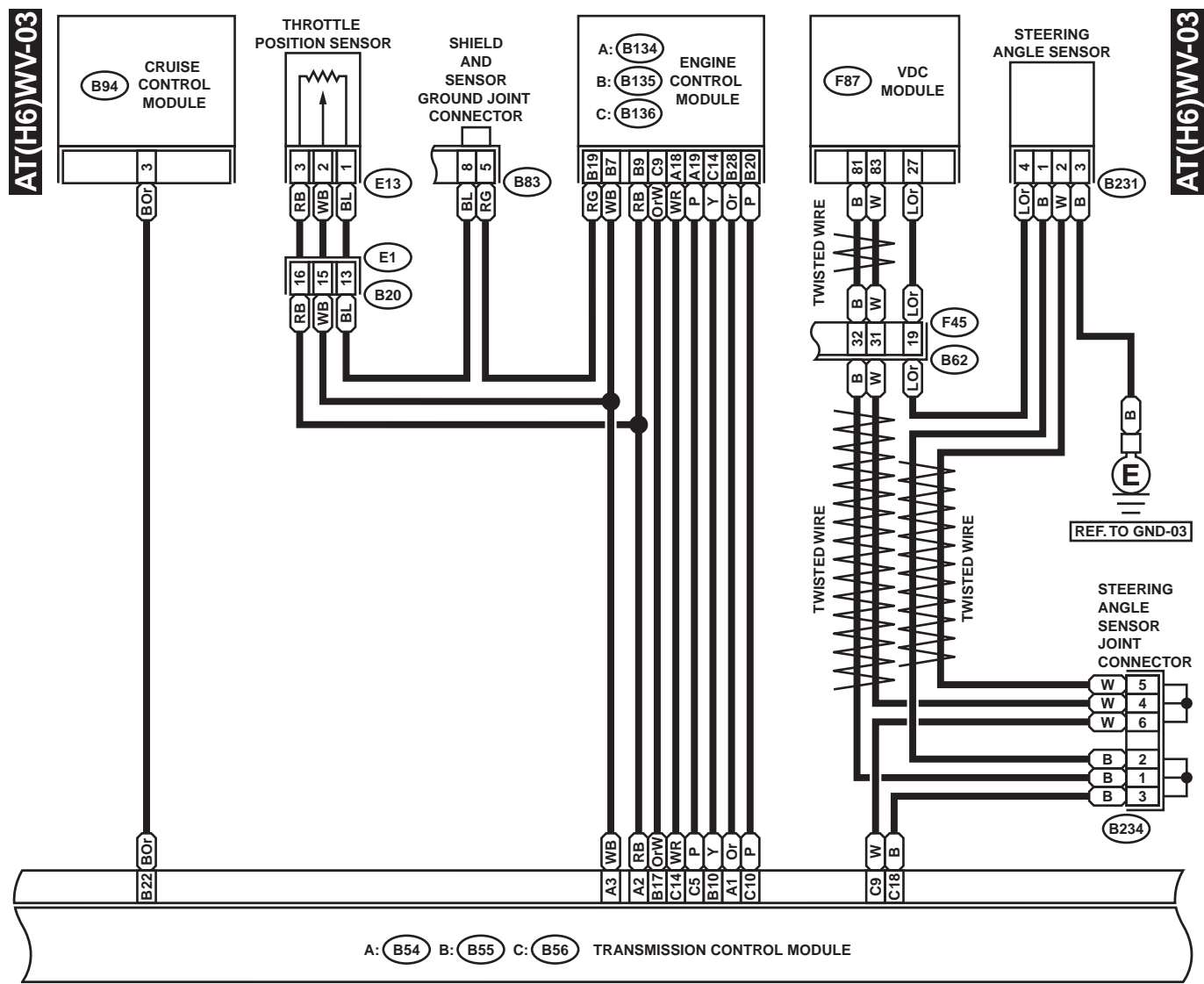
WIRING SYSTEM



WI-00564

# A/T CONTROL SYSTEM

WIRING SYSTEM

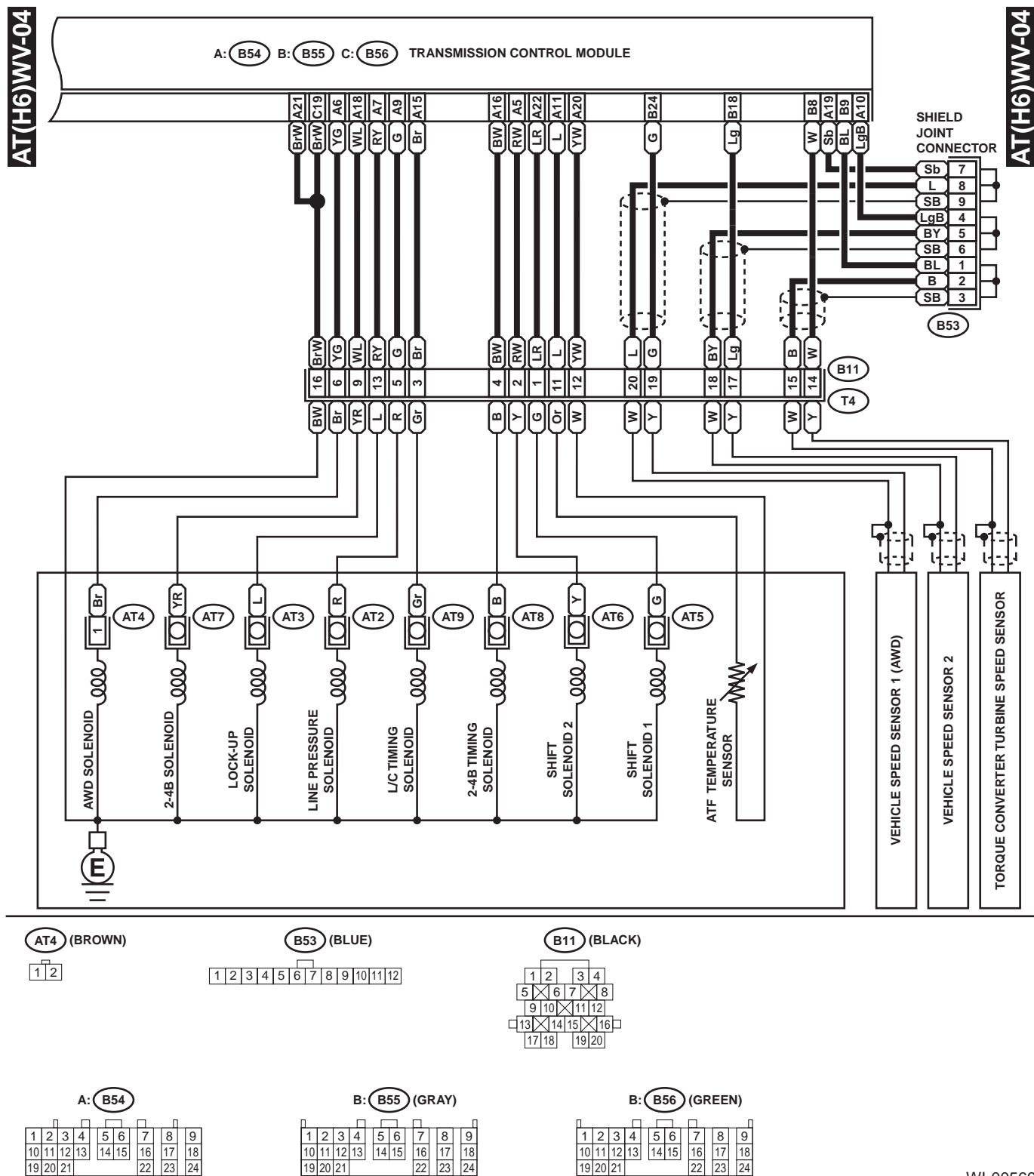


WI-00565



# A/T CONTROL SYSTEM

WIRING SYSTEM



WI-00566

## A/T CONTROL SYSTEM

WIRING SYSTEM

---

MEMO: