

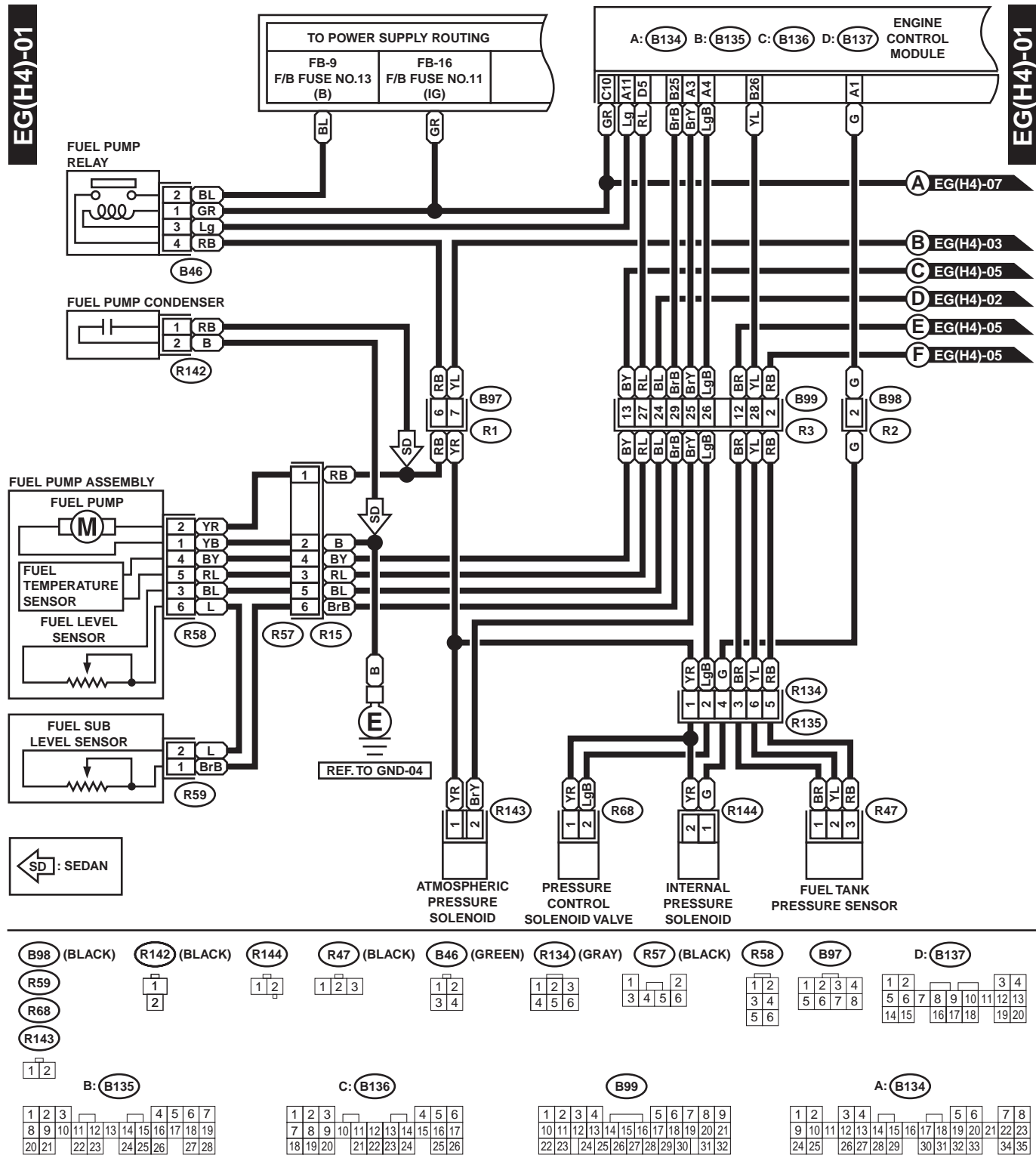
ENGINE ELECTRICAL SYSTEM

WIRING SYSTEM

18.Engine Electrical System

A: SCHEMATIC

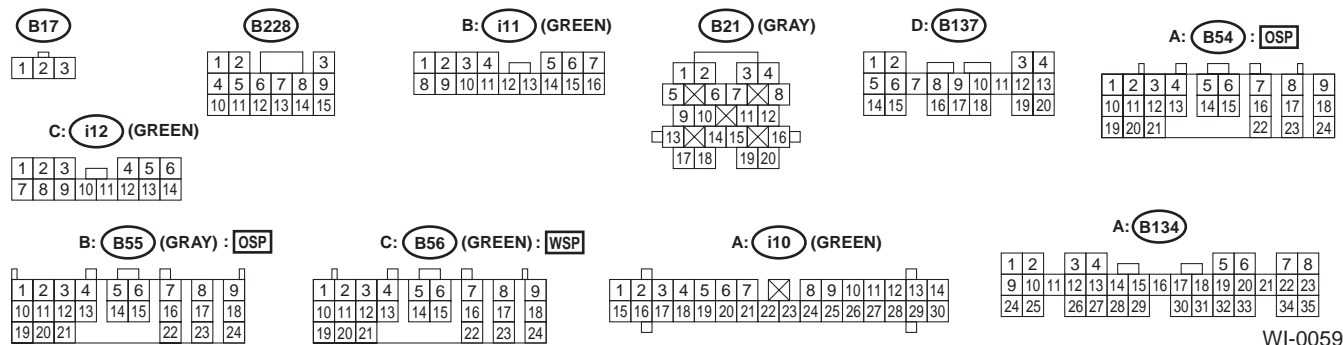
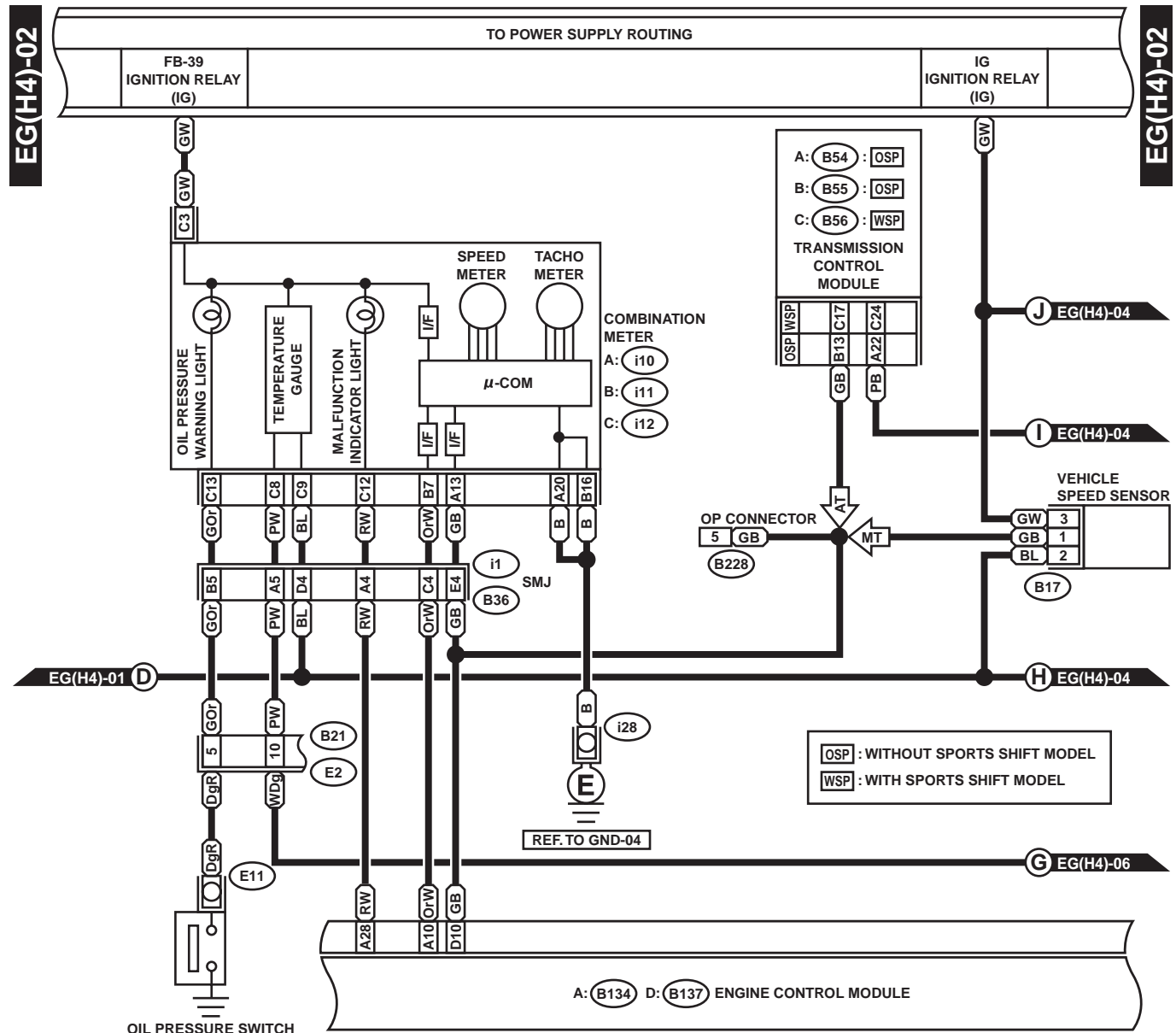
1. 4-CYLINDER ENGINE MODEL



WI-00593

ENGINE ELECTRICAL SYSTEM

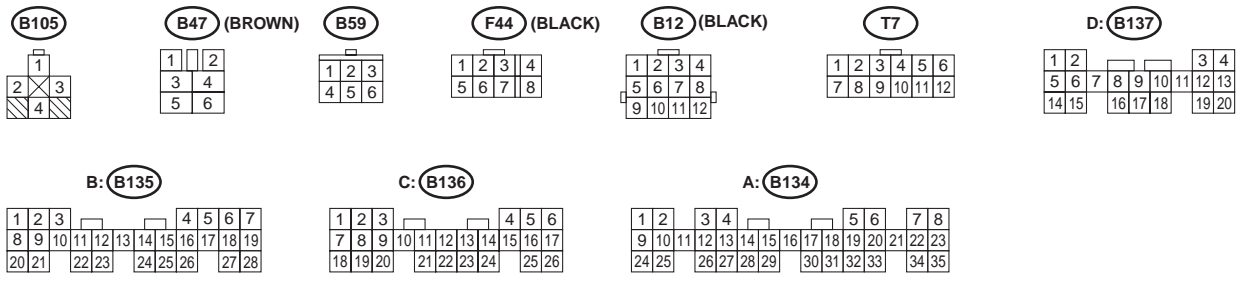
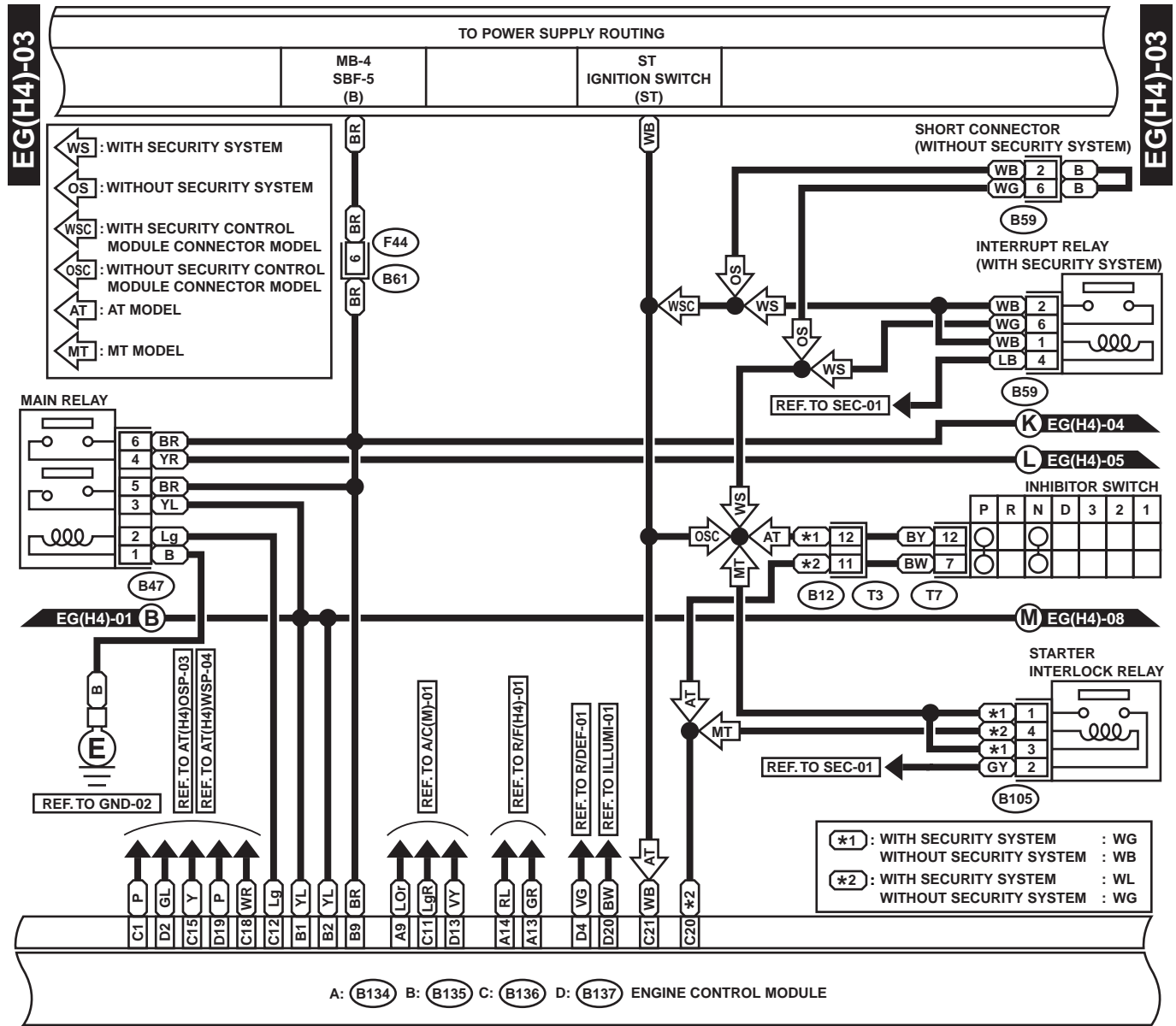
WIRING SYSTEM



WI-00594

ENGINE ELECTRICAL SYSTEM

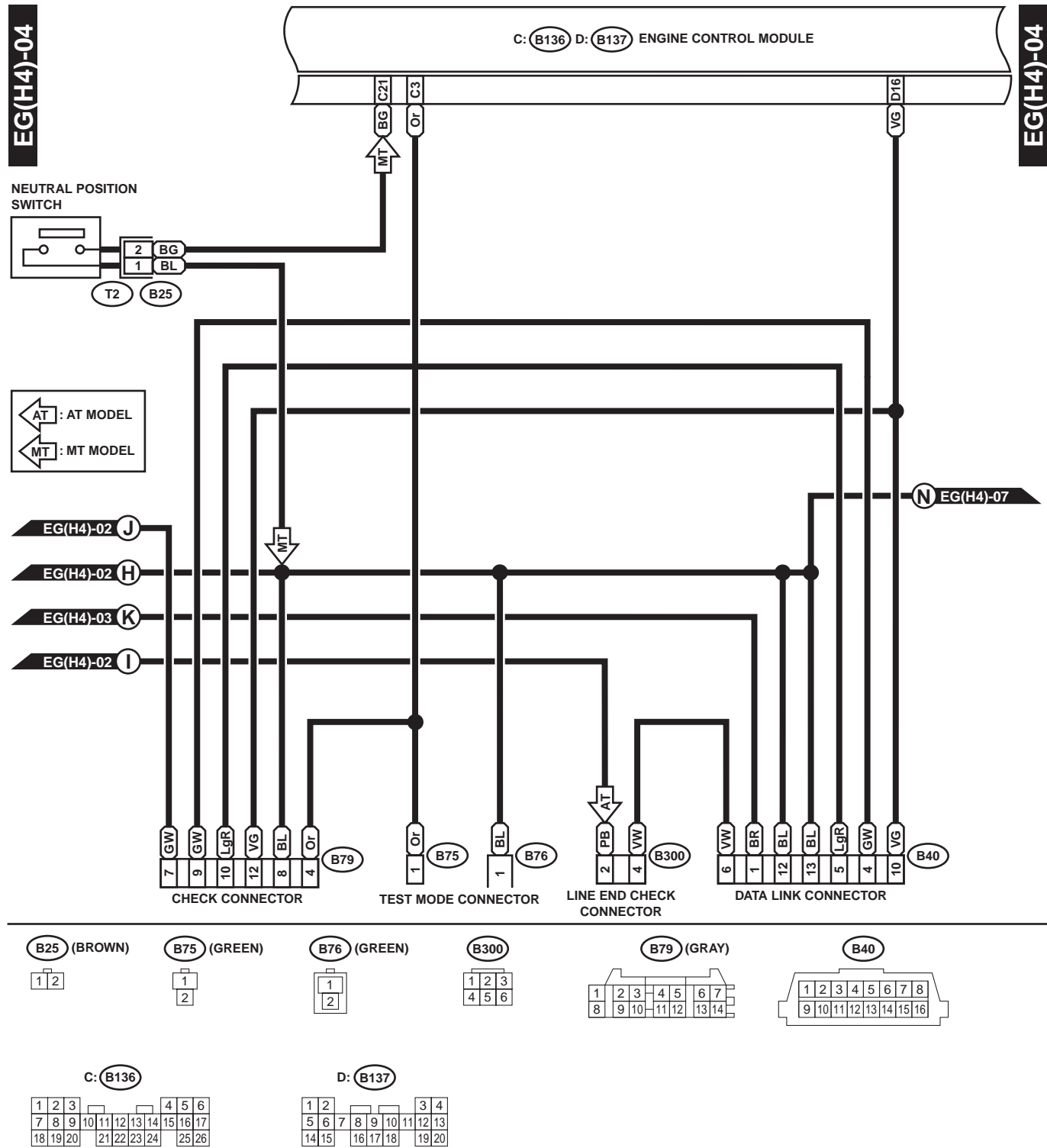
WIRING SYSTEM



WI-00595

ENGINE ELECTRICAL SYSTEM

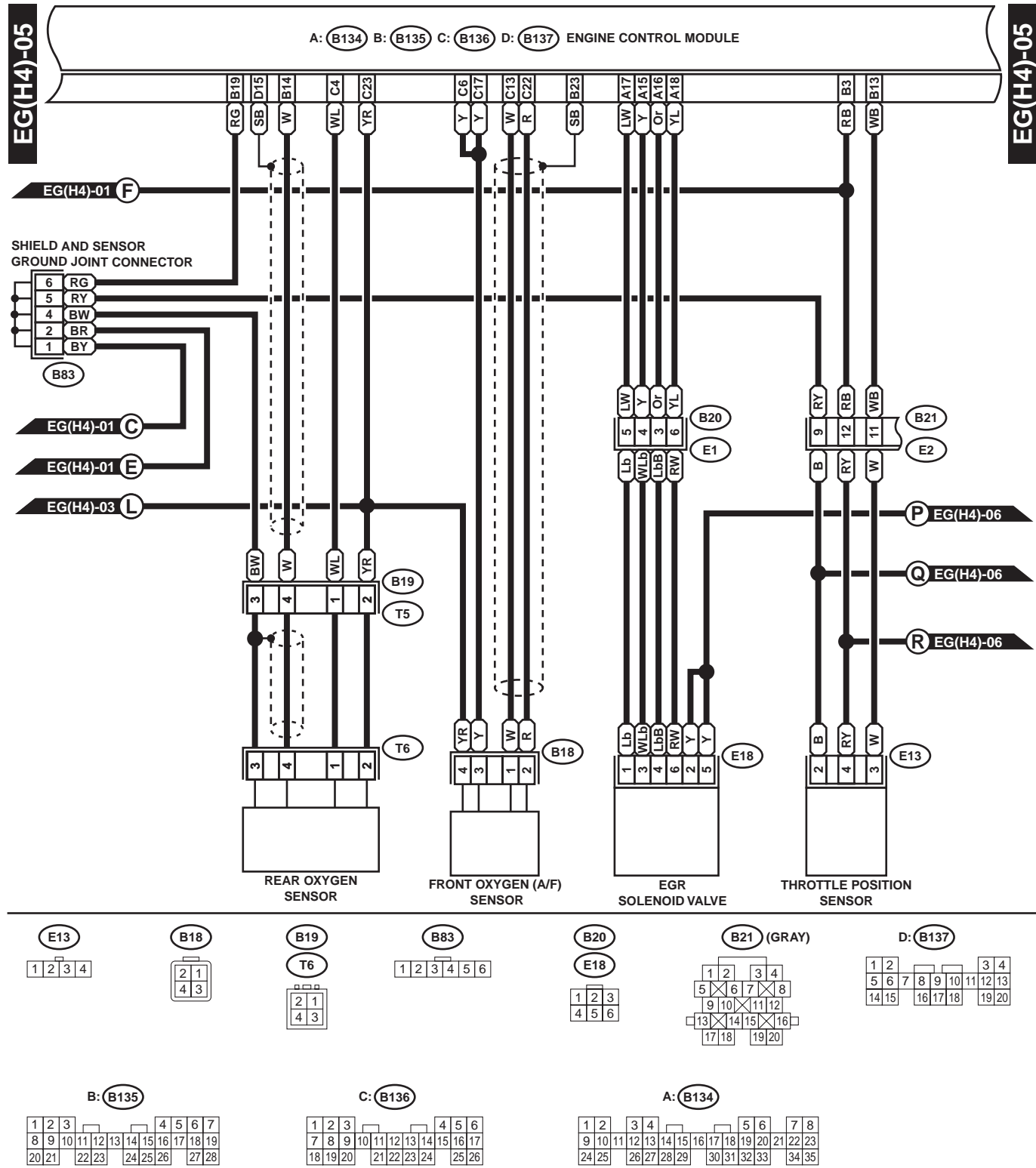
WIRING SYSTEM



WI-00596

ENGINE ELECTRICAL SYSTEM

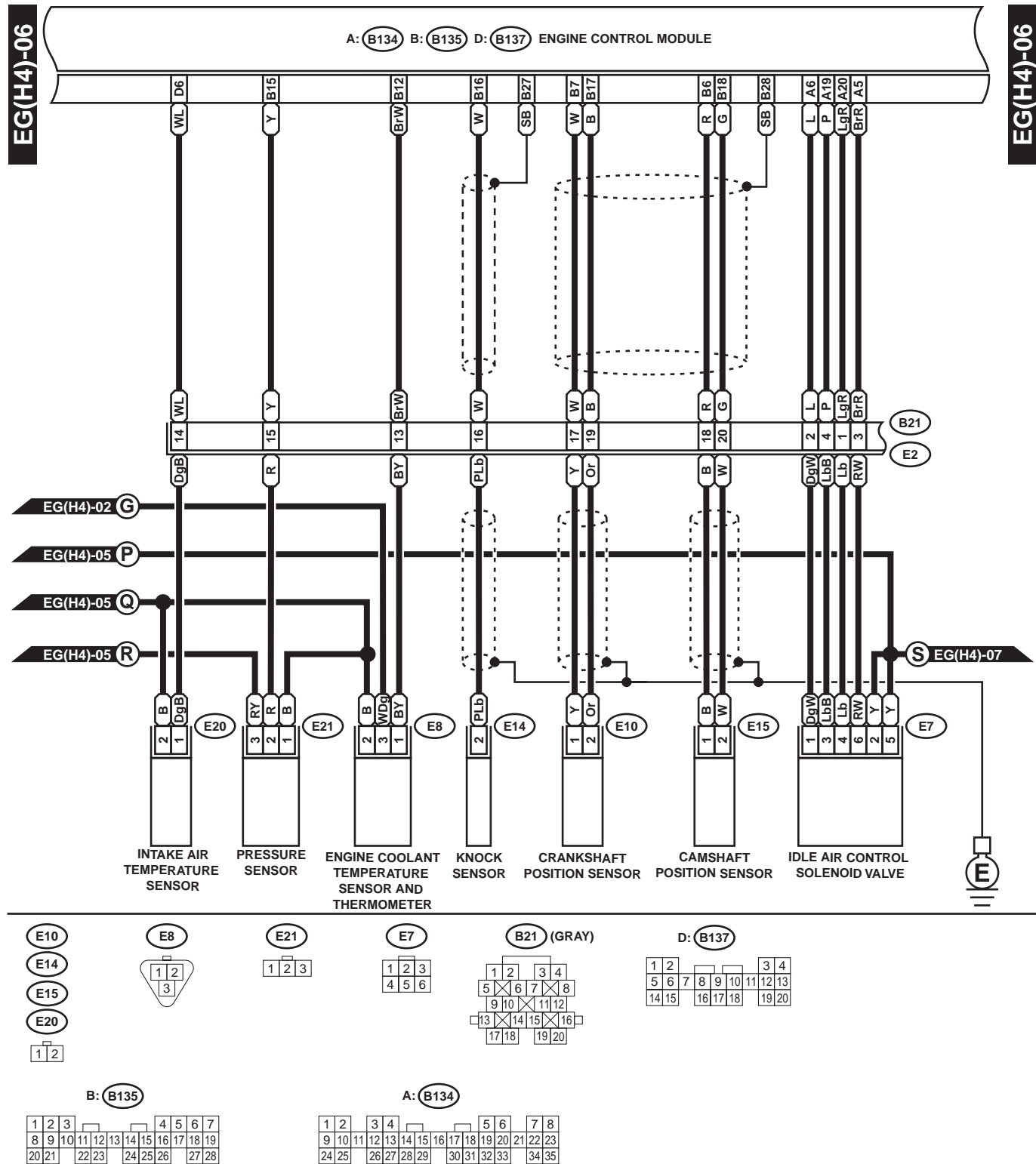
WIRING SYSTEM



WI-00597

ENGINE ELECTRICAL SYSTEM

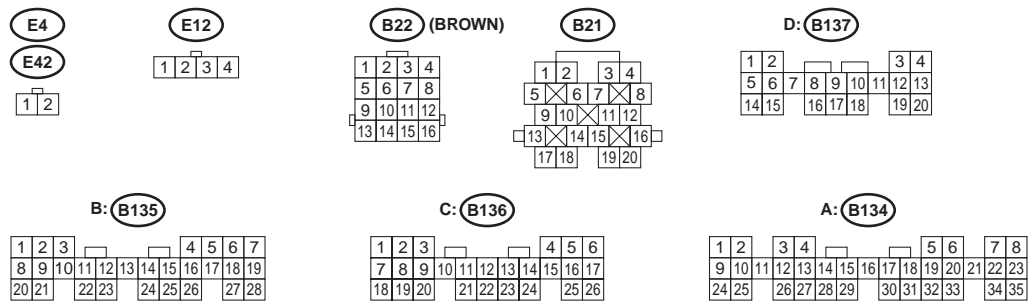
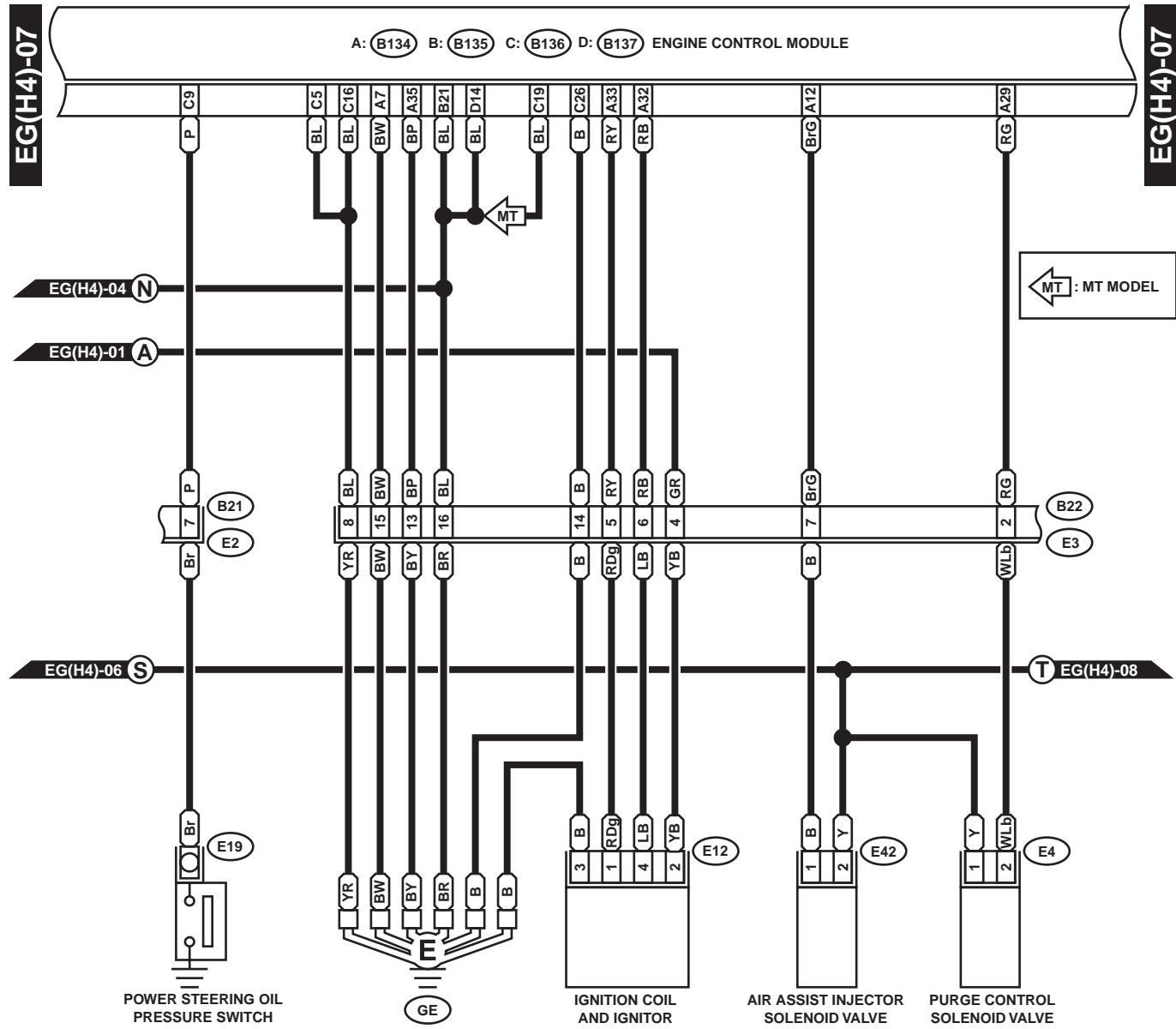
WIRING SYSTEM



WI-00598

ENGINE ELECTRICAL SYSTEM

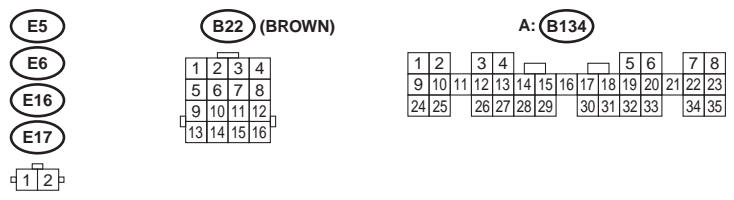
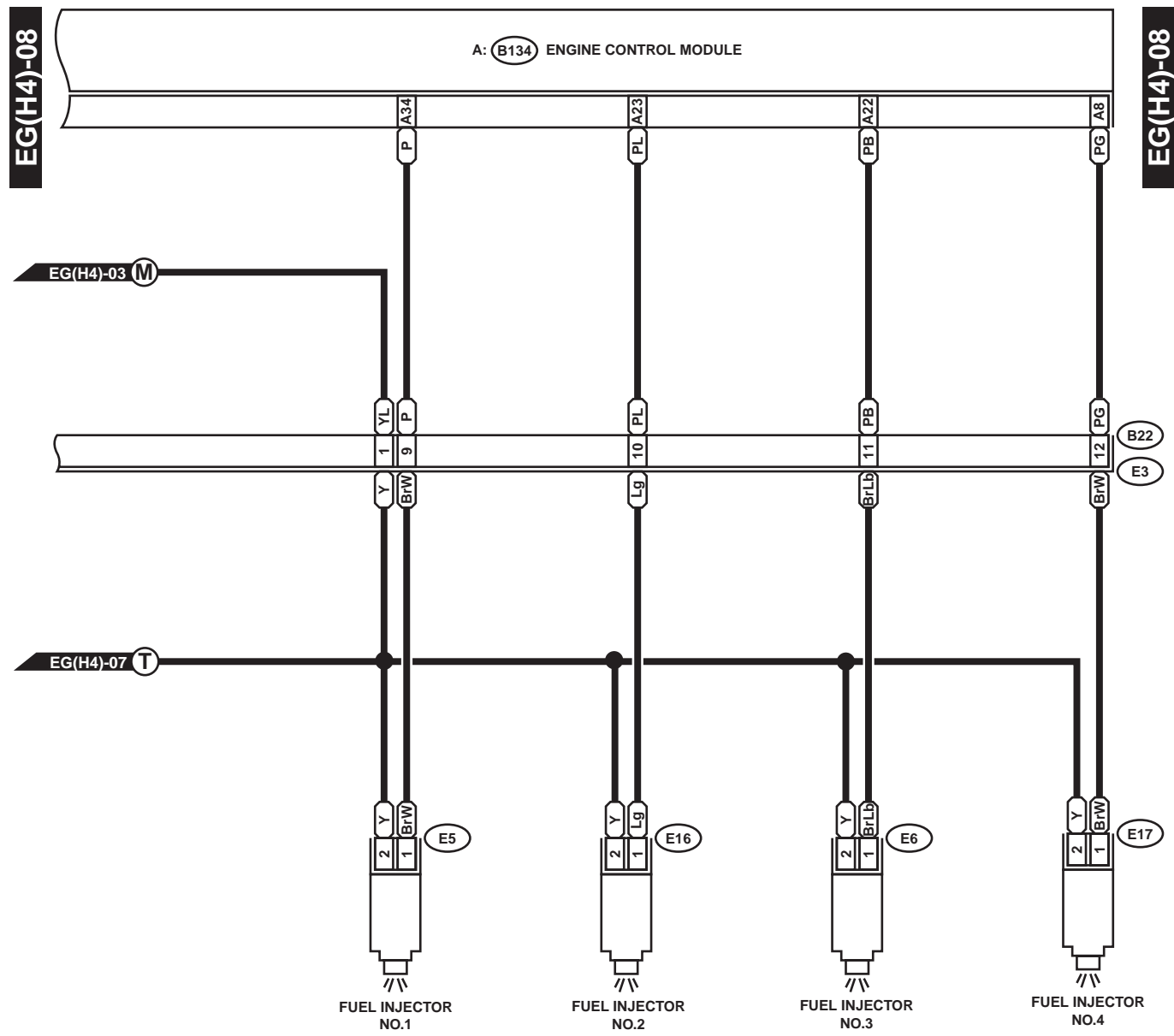
WIRING SYSTEM



WI-00599

ENGINE ELECTRICAL SYSTEM

WIRING SYSTEM

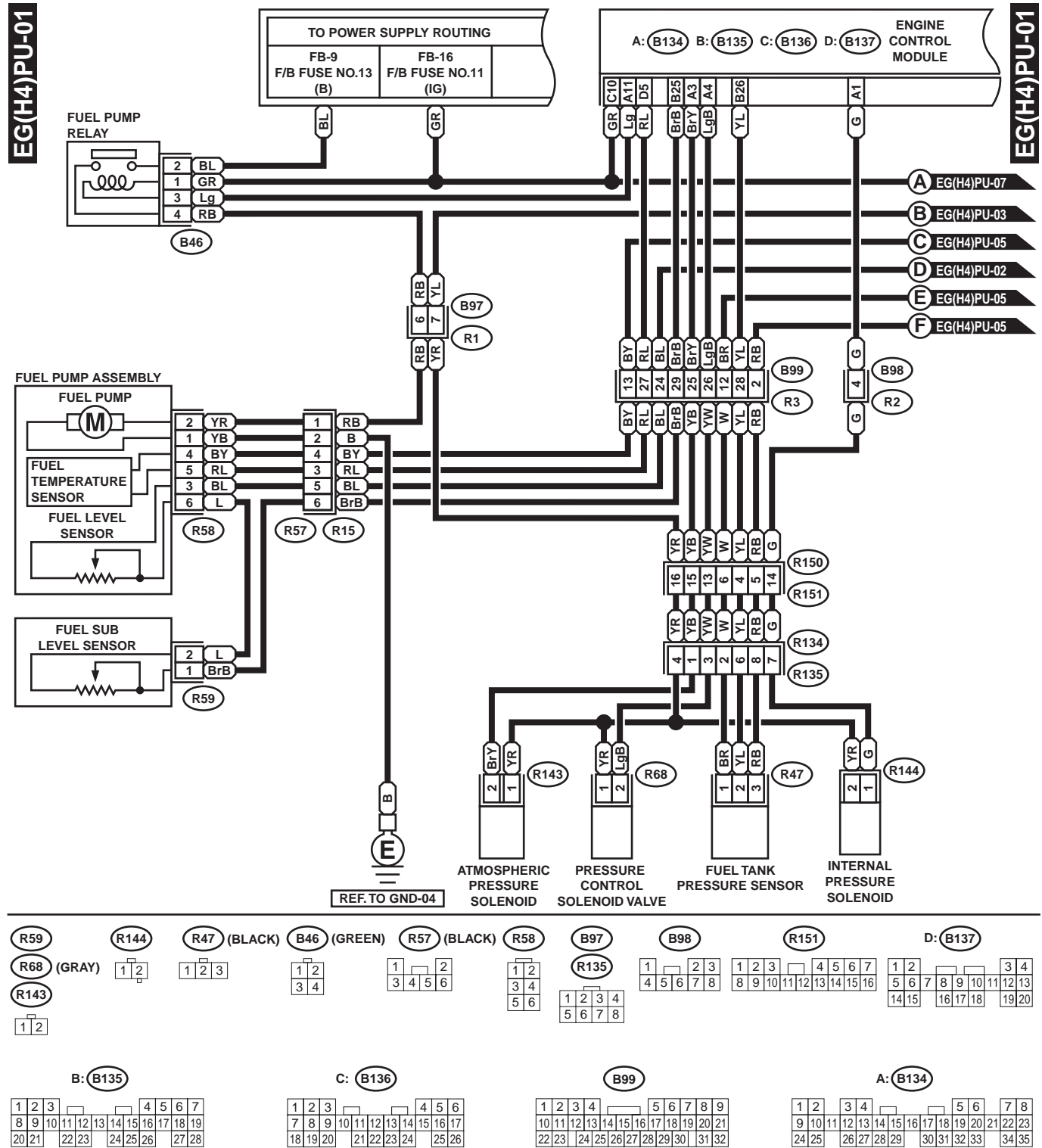


WI-00600

ENGINE ELECTRICAL SYSTEM

WIRING SYSTEM

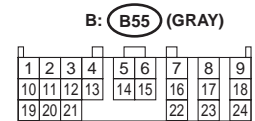
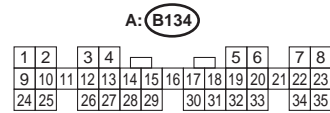
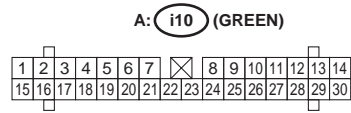
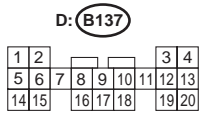
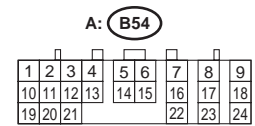
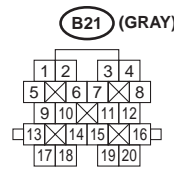
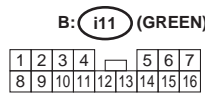
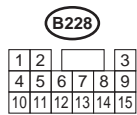
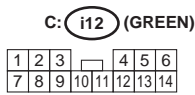
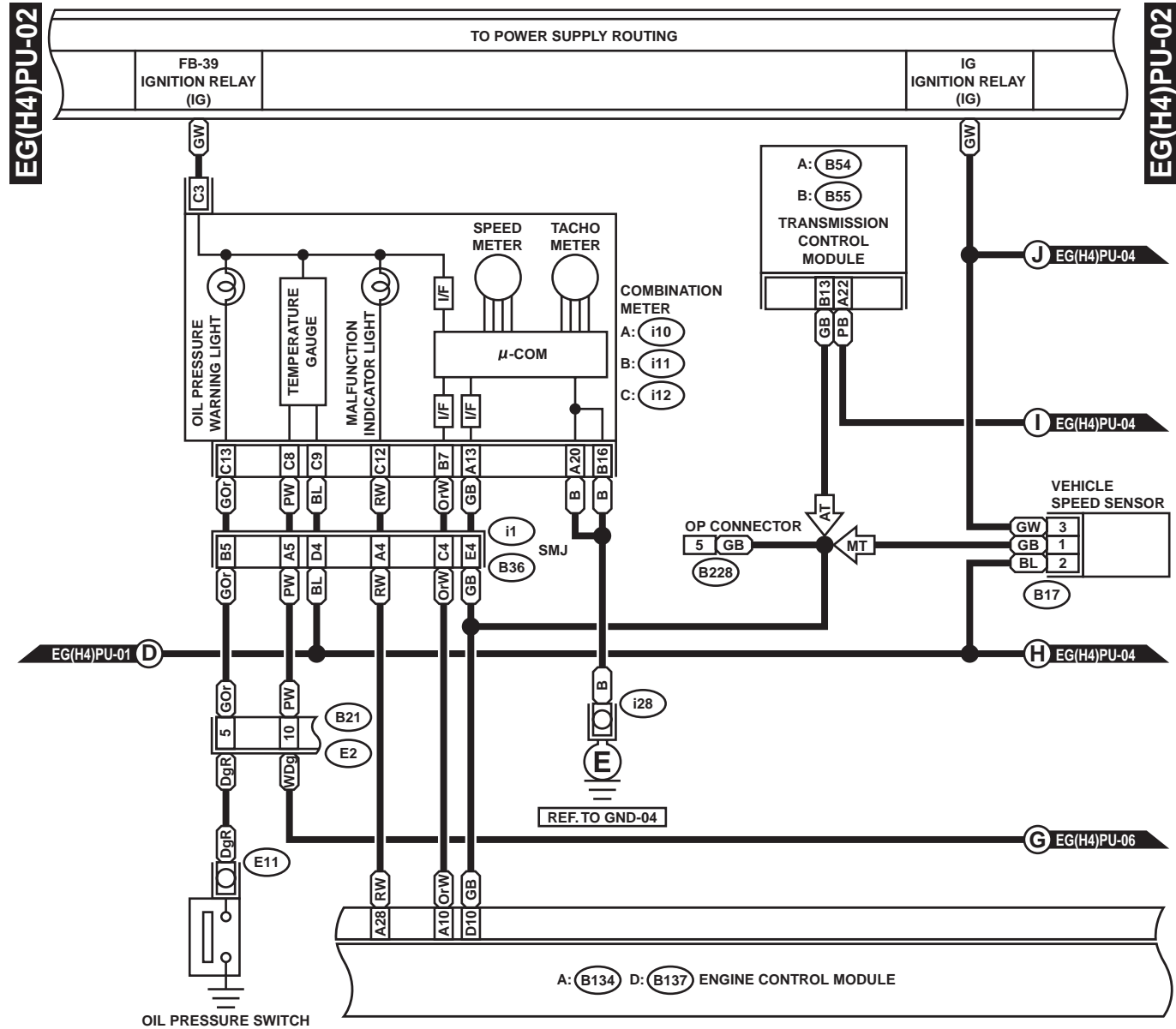
2. 4-CYLINDER ENGINE PICK-UP MODEL



WI-00611

ENGINE ELECTRICAL SYSTEM

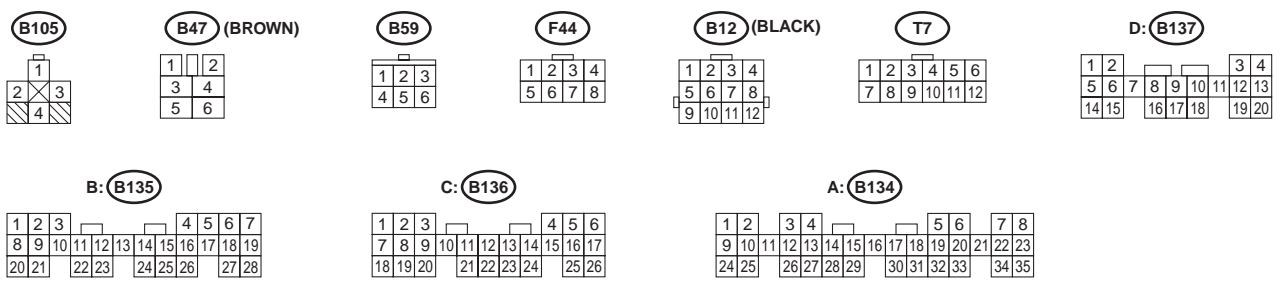
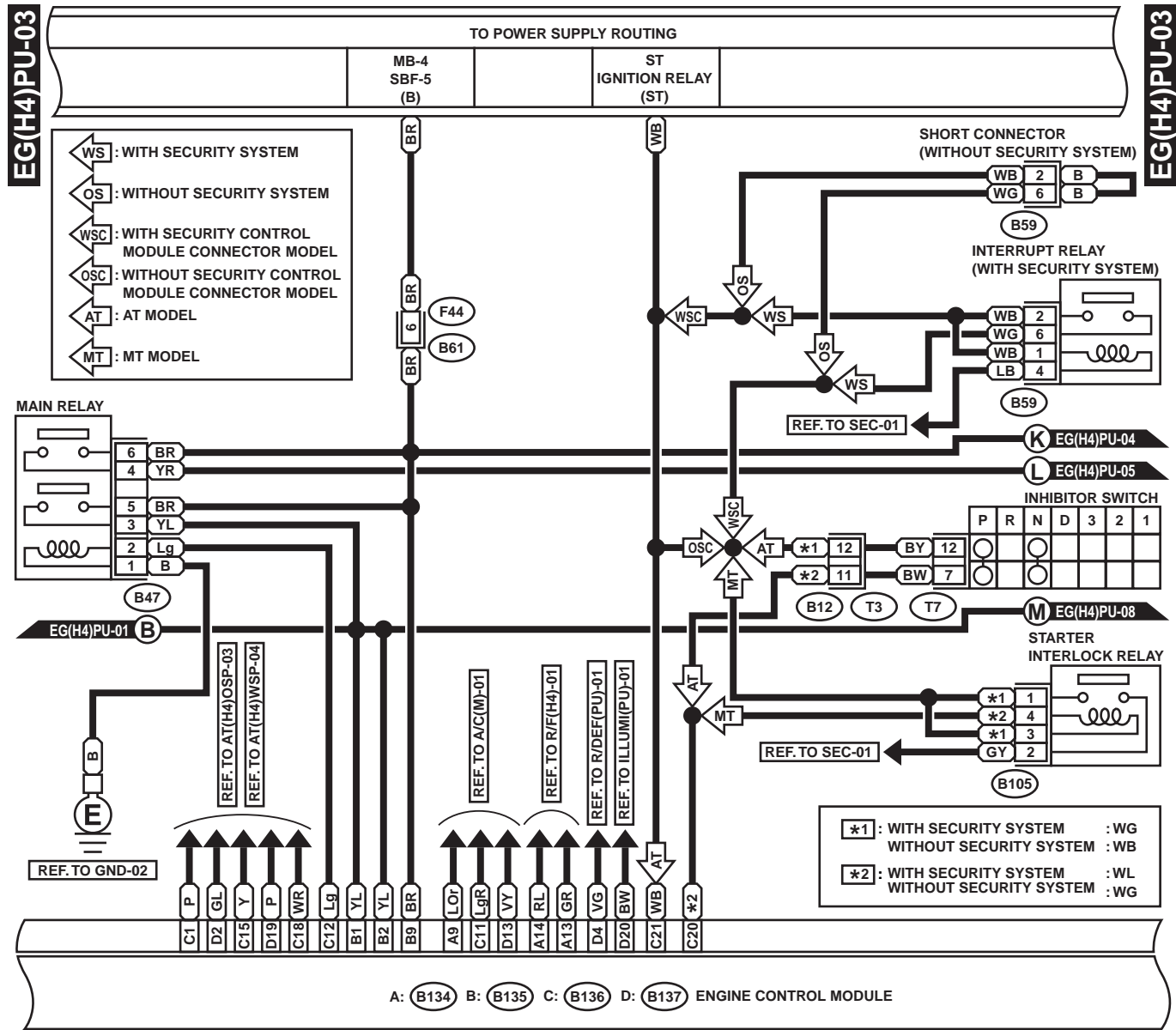
WIRING SYSTEM



WI-00612

ENGINE ELECTRICAL SYSTEM

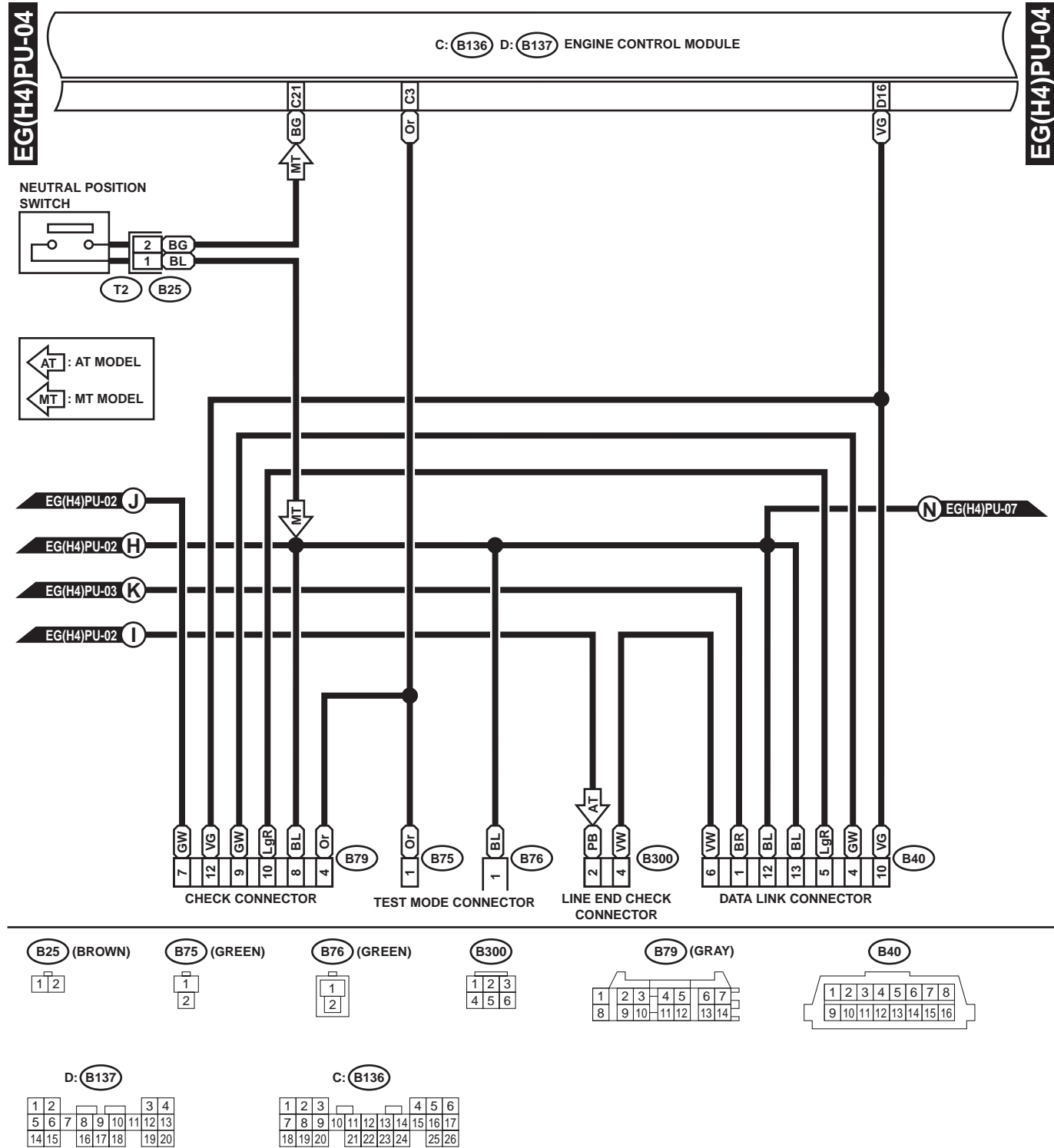
WIRING SYSTEM



WI-00613

ENGINE ELECTRICAL SYSTEM

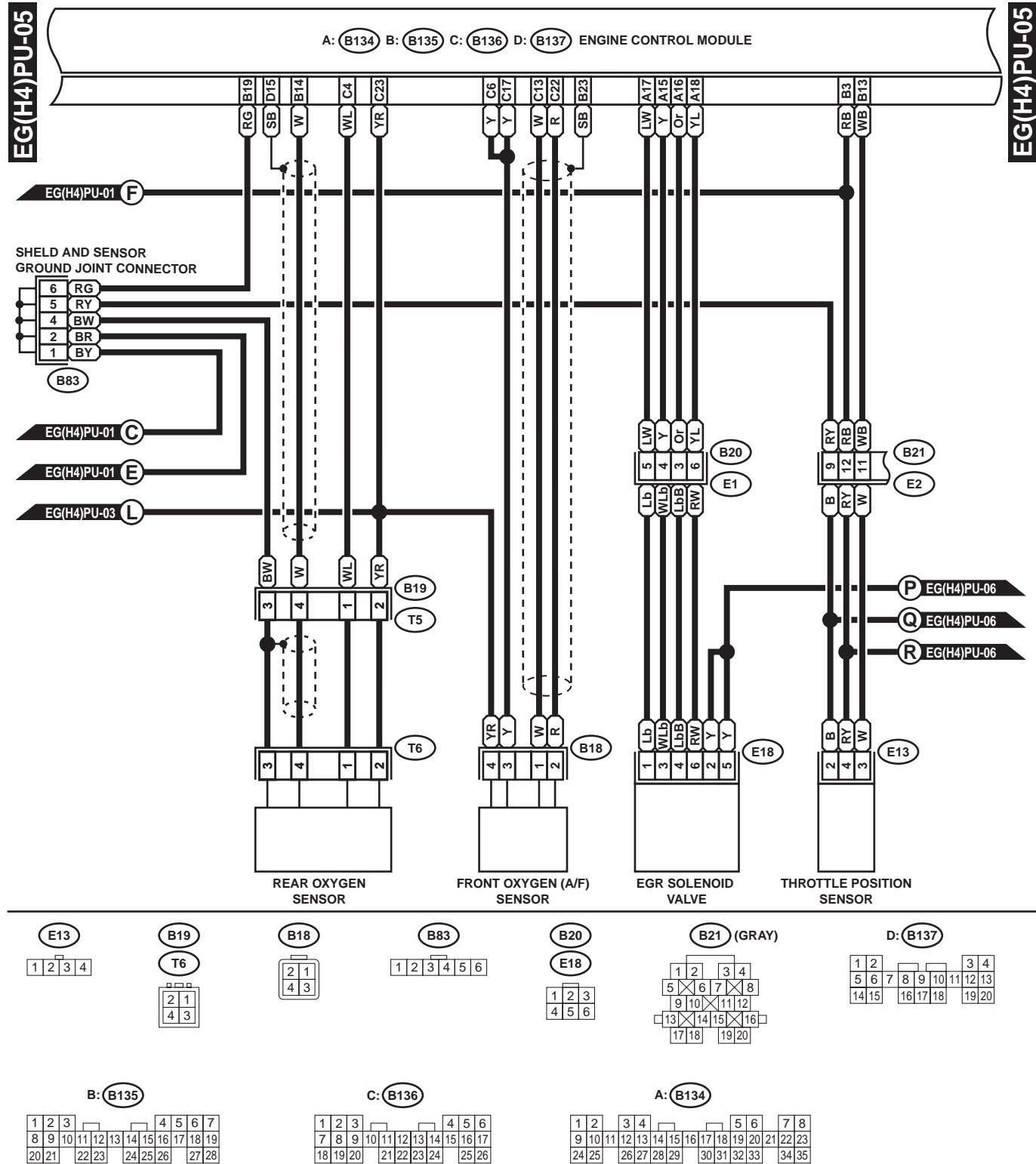
WIRING SYSTEM



WI-00614

ENGINE ELECTRICAL SYSTEM

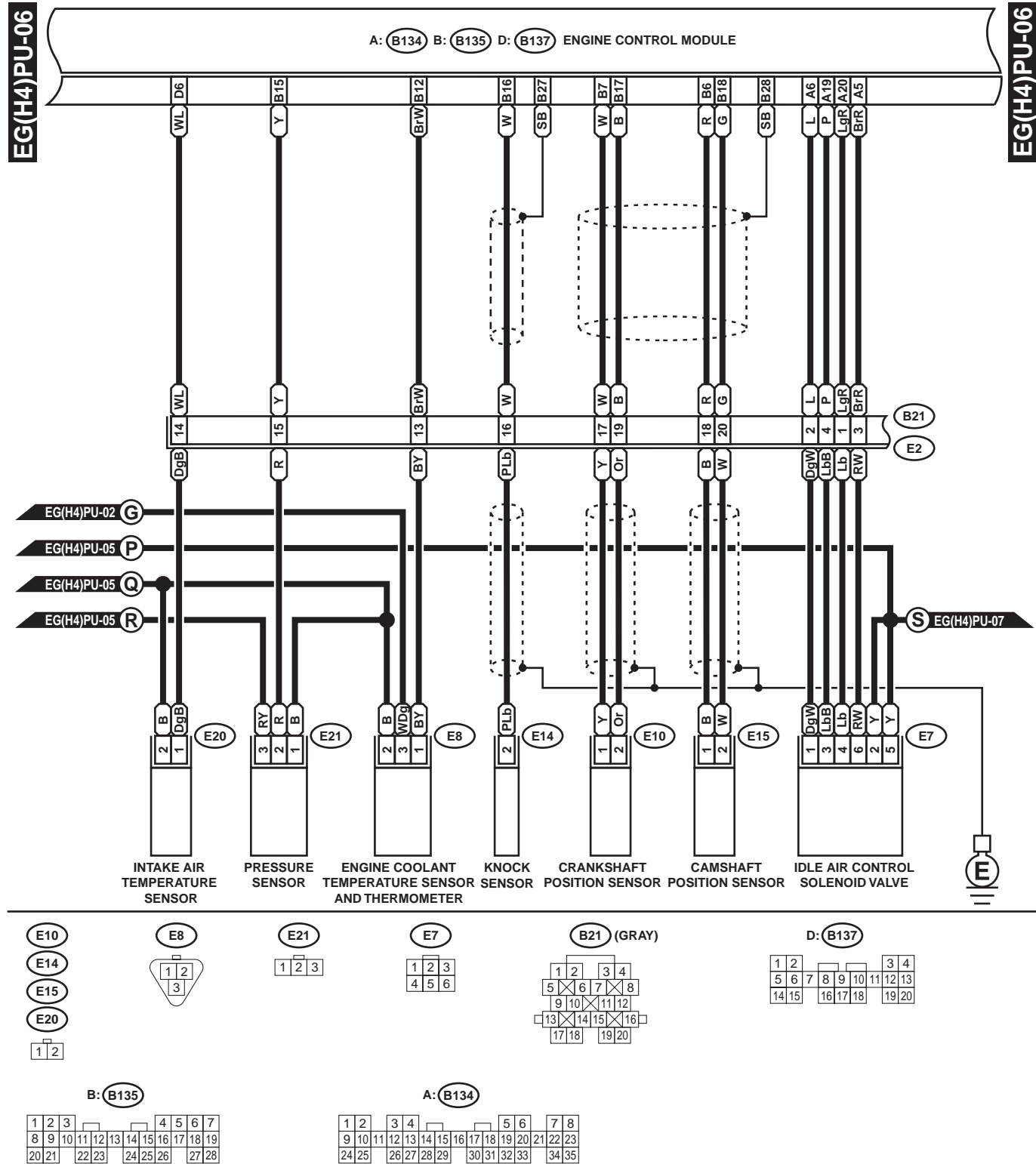
WIRING SYSTEM



WI-00615

ENGINE ELECTRICAL SYSTEM

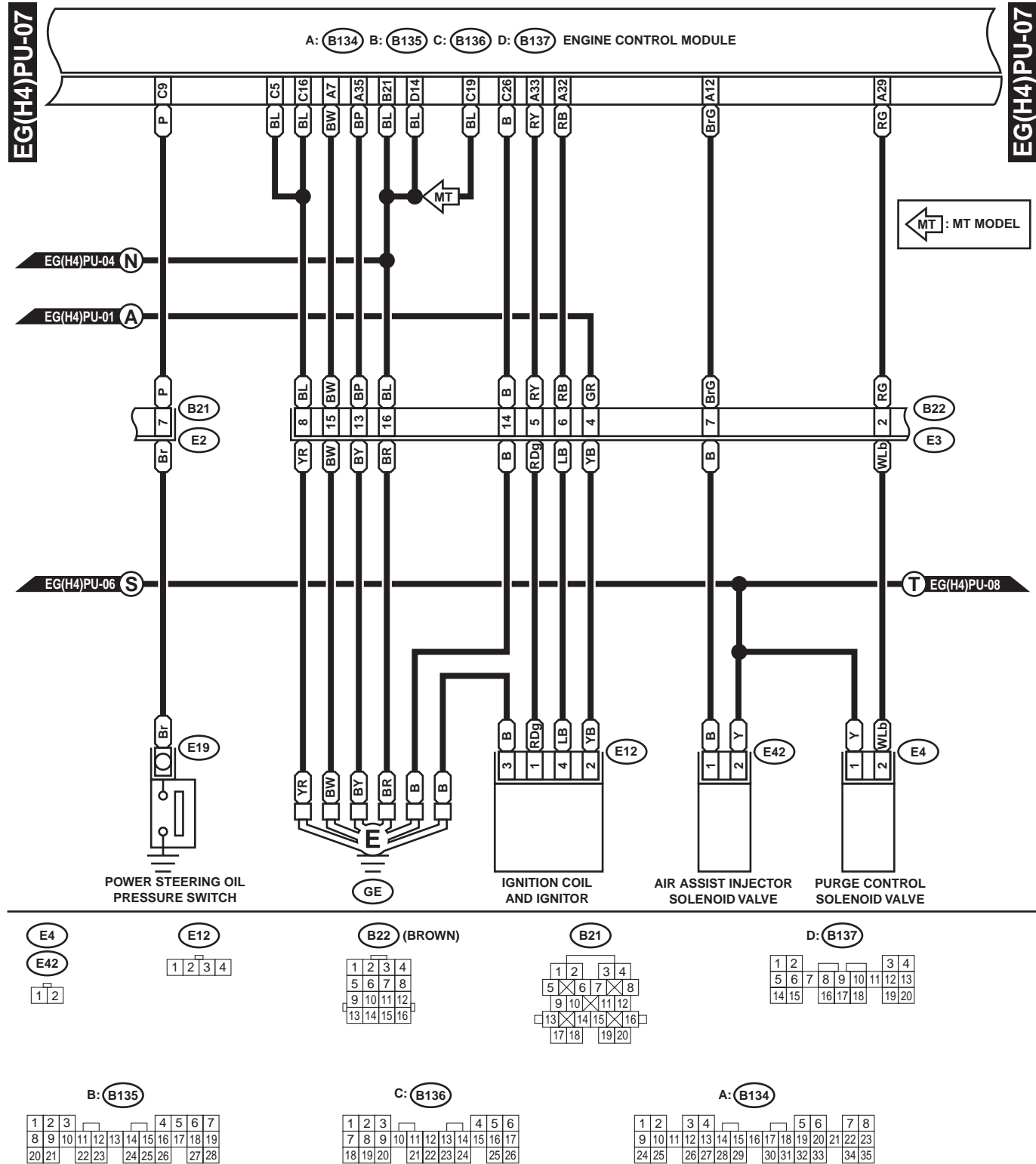
WIRING SYSTEM



WI-00616

ENGINE ELECTRICAL SYSTEM

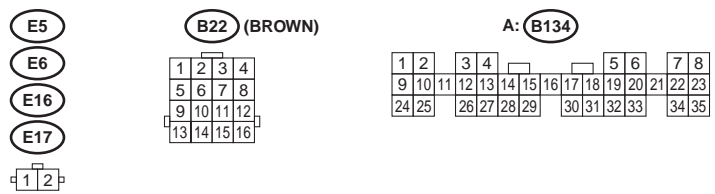
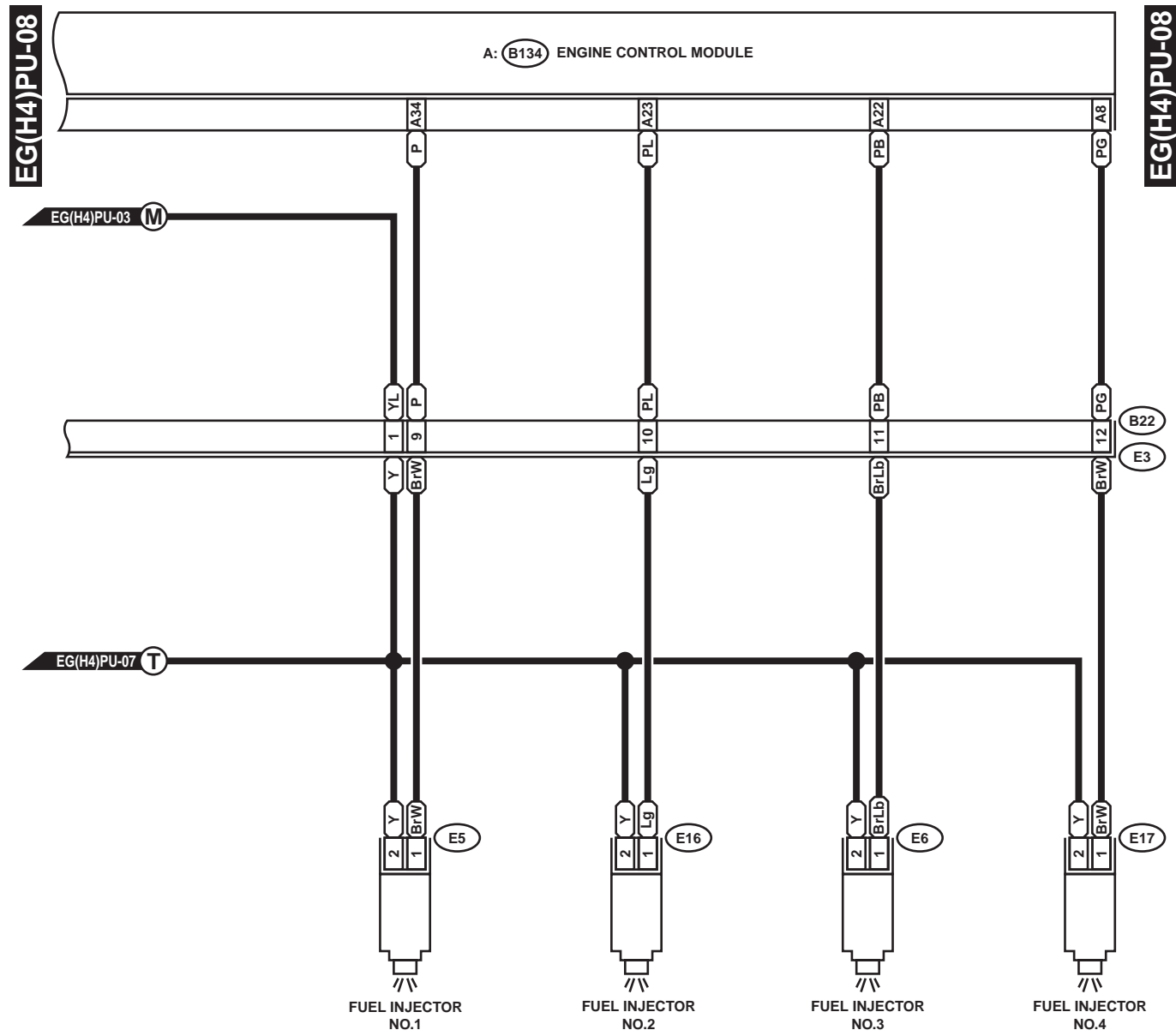
WIRING SYSTEM



WI-00617

ENGINE ELECTRICAL SYSTEM

WIRING SYSTEM

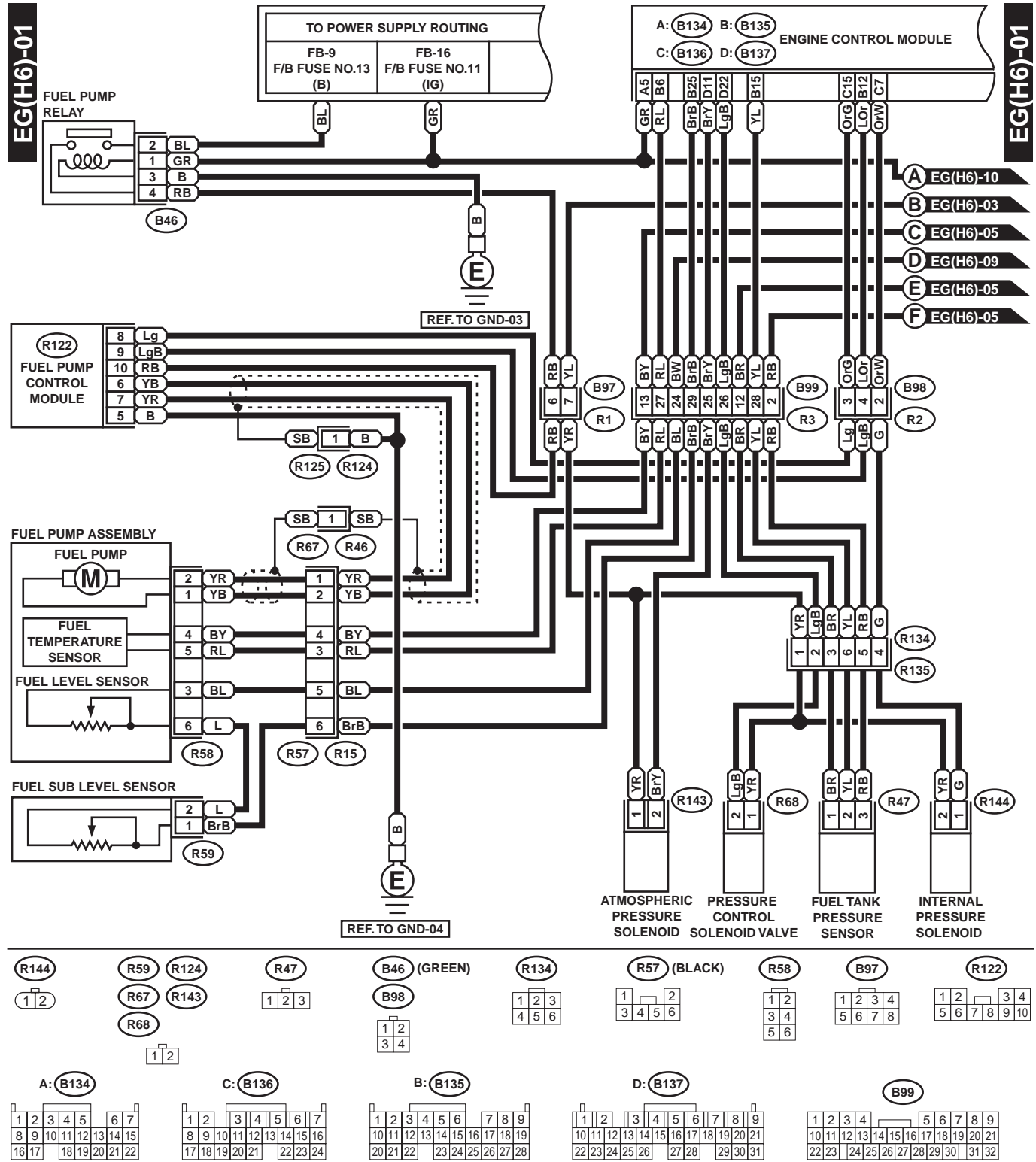


WI-00618

ENGINE ELECTRICAL SYSTEM

WIRING SYSTEM

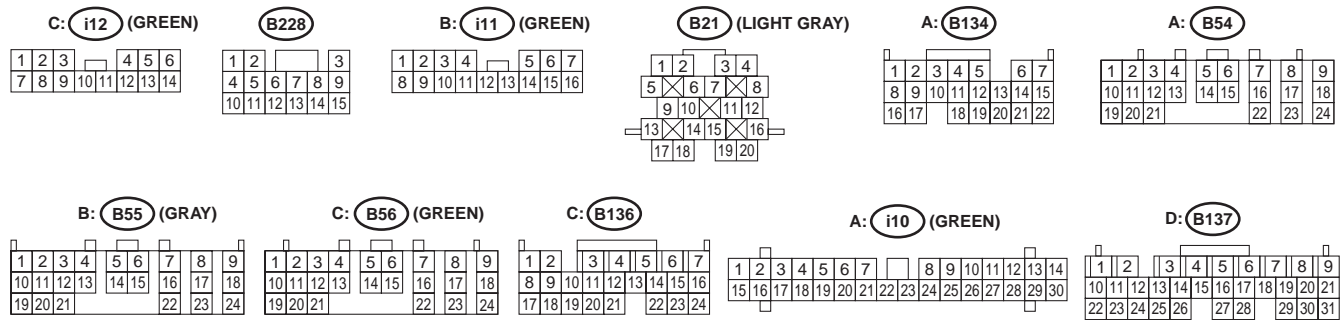
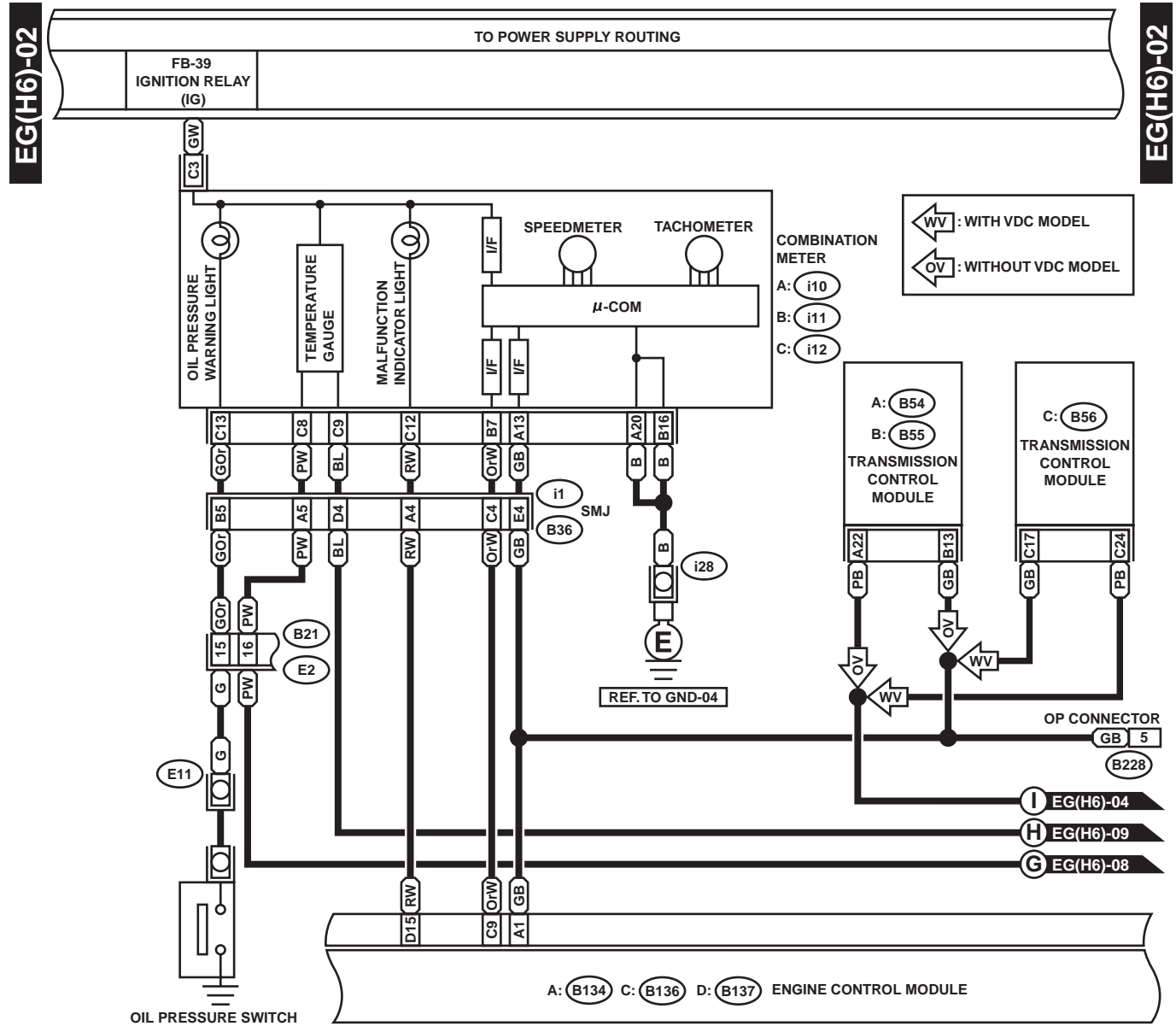
3. 6-CYLINDER ENGINE MODEL



WI-00619

ENGINE ELECTRICAL SYSTEM

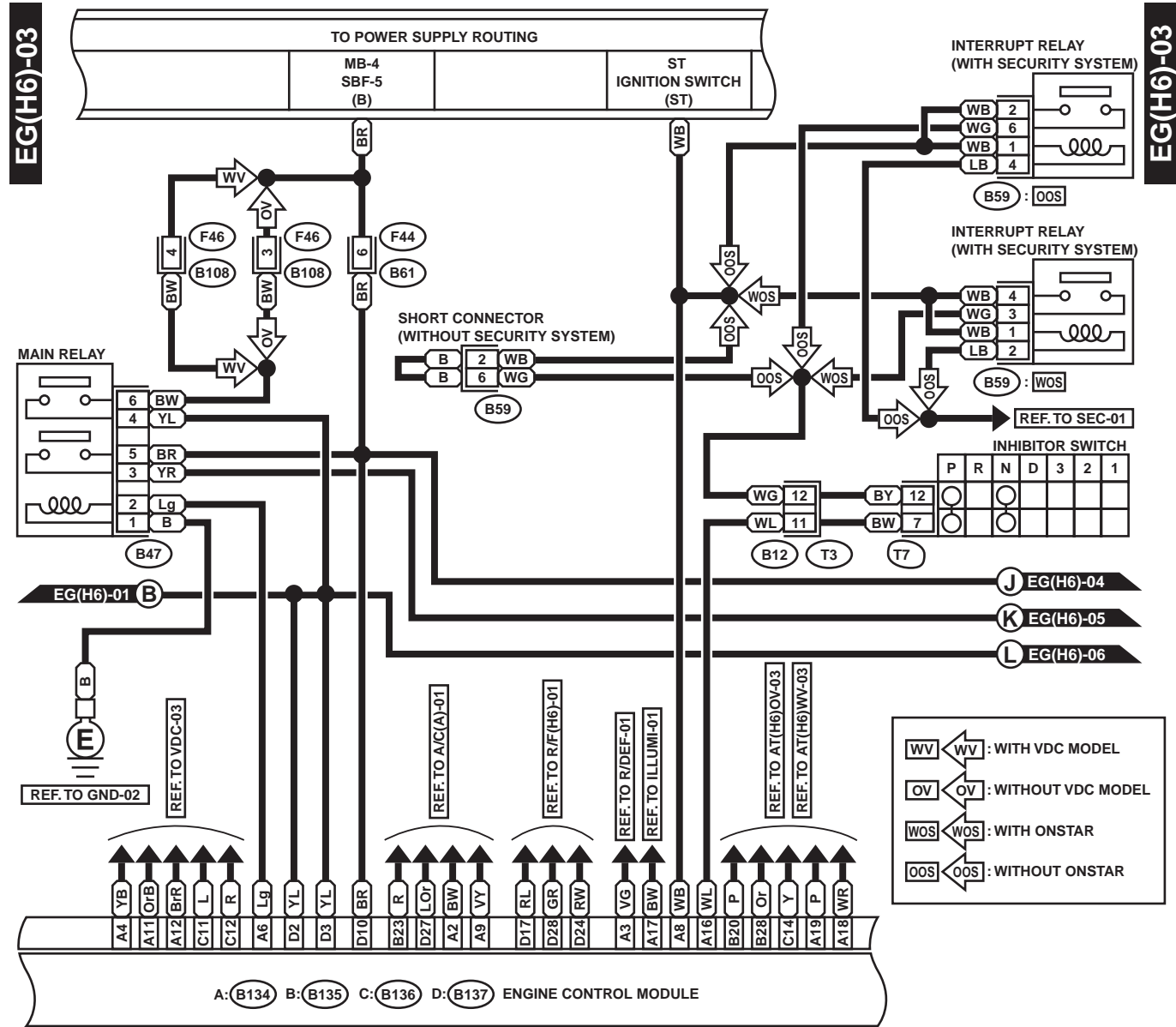
WIRING SYSTEM



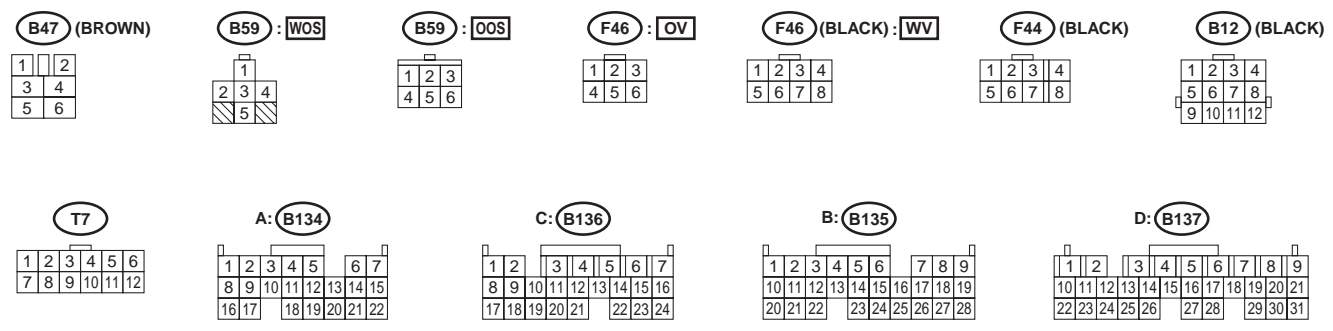
WI-00620

ENGINE ELECTRICAL SYSTEM

WIRING SYSTEM



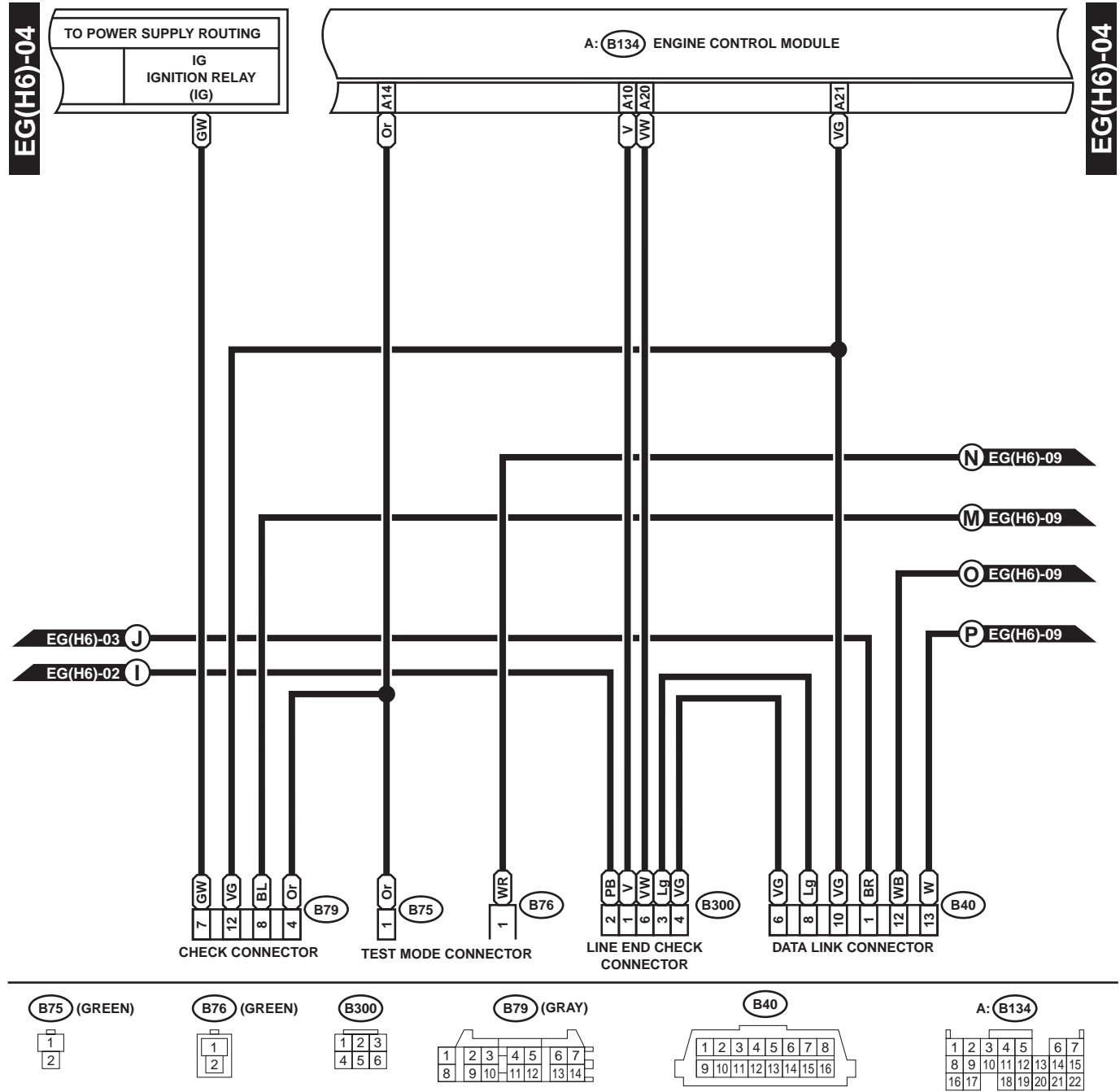
WV ← **WV** : WITH VDC MODEL
OV ← **OV** : WITHOUT VDC MODEL
WOS ← **WOS** : WITH ONSTAR
OOS ← **OOS** : WITHOUT ONSTAR



WI-00621

ENGINE ELECTRICAL SYSTEM

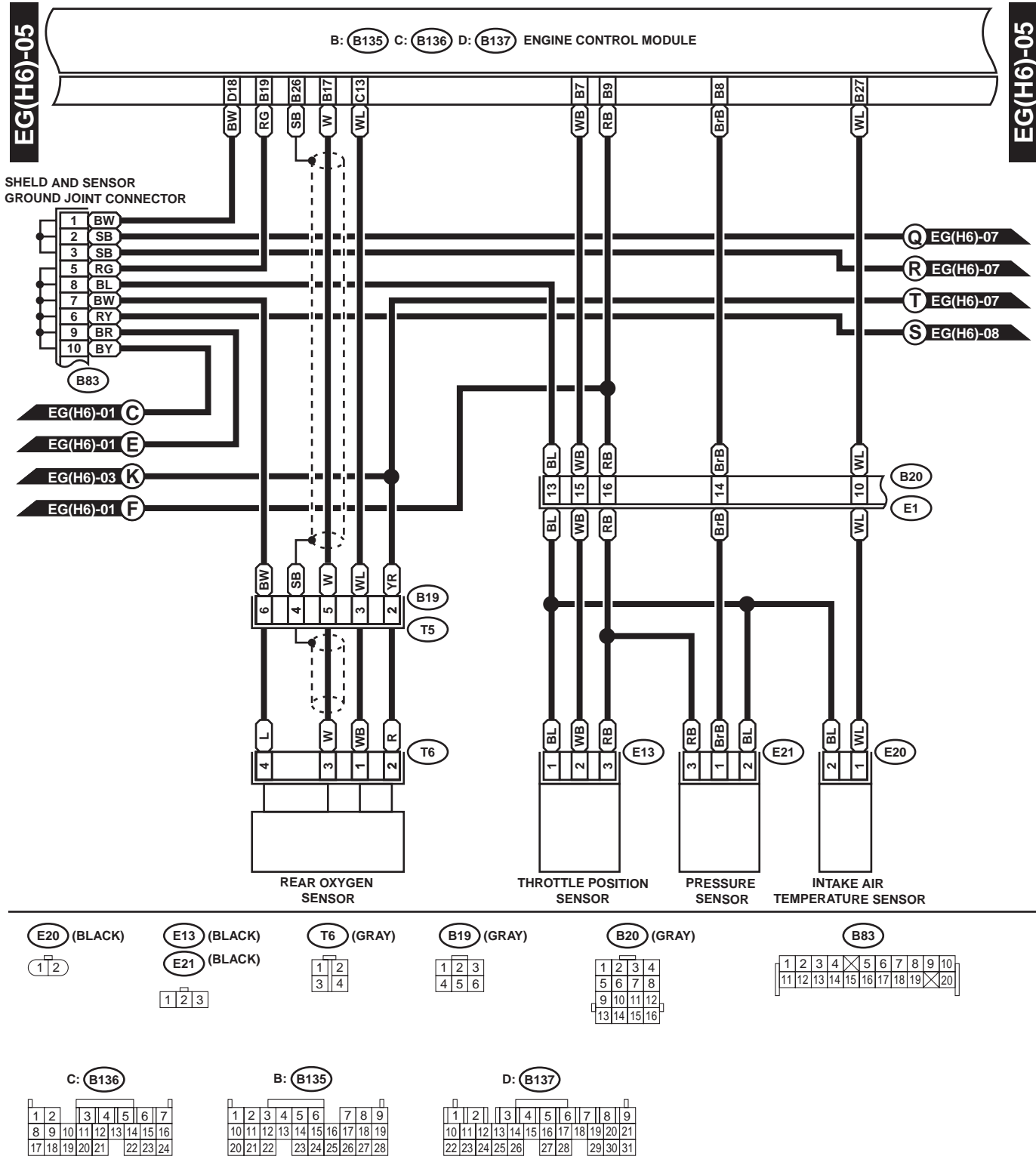
WIRING SYSTEM



WI-00622

ENGINE ELECTRICAL SYSTEM

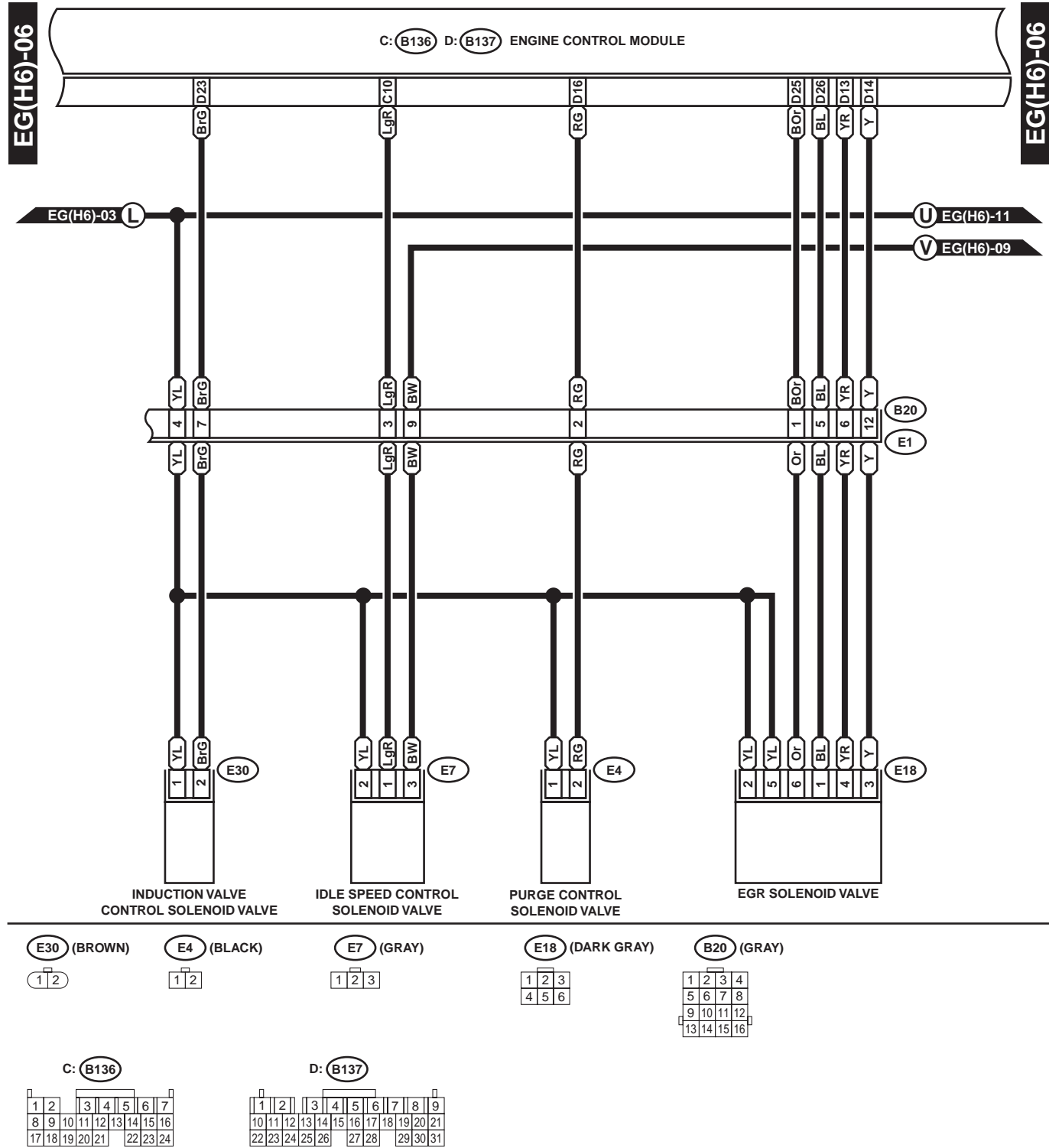
WIRING SYSTEM



WI-00623

ENGINE ELECTRICAL SYSTEM

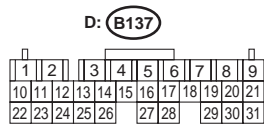
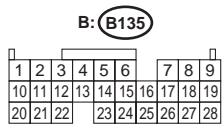
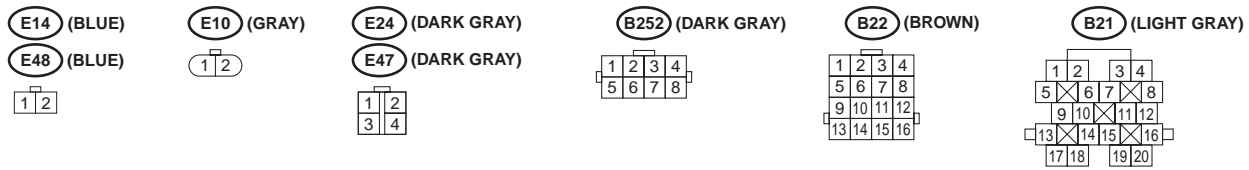
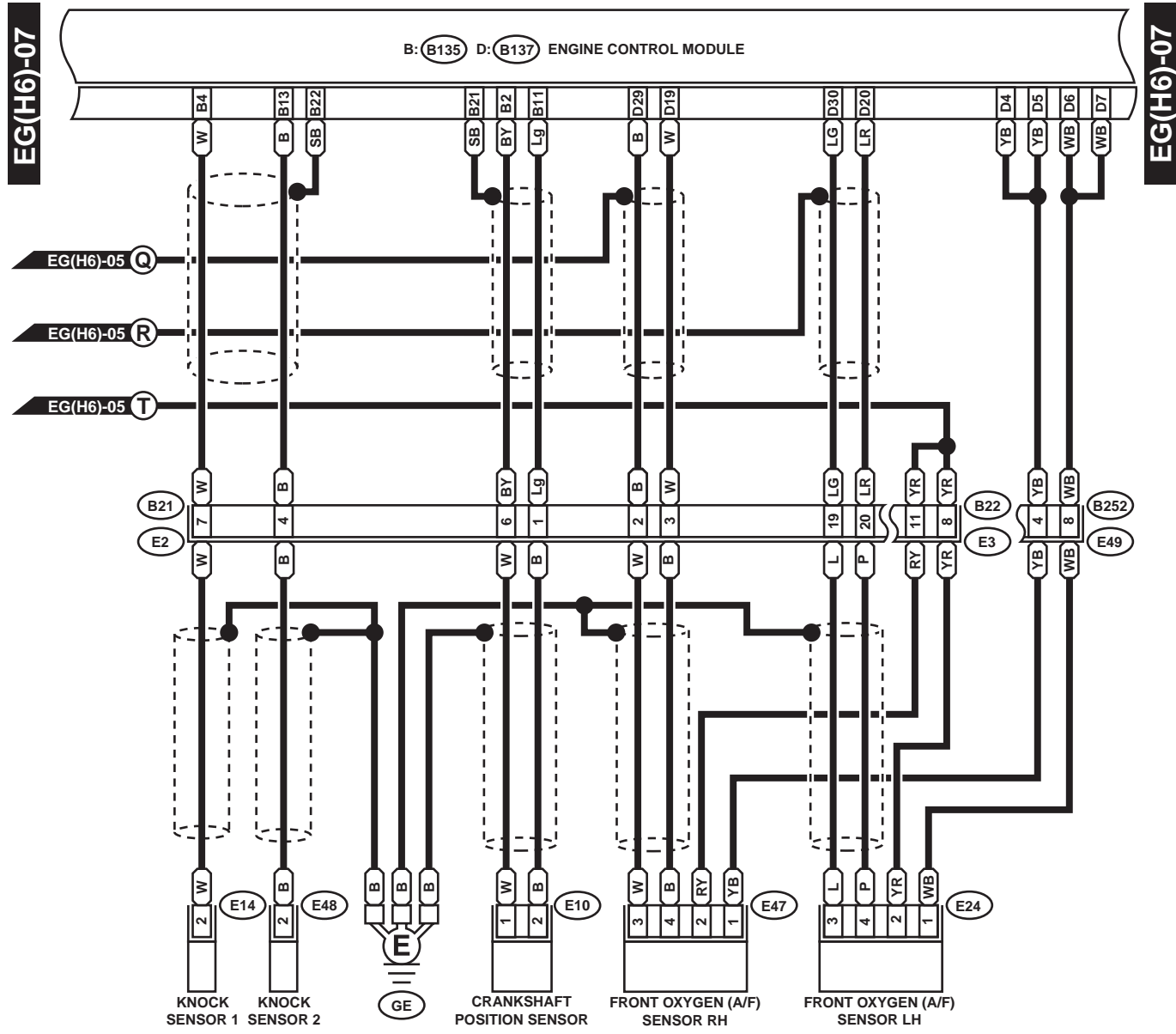
WIRING SYSTEM



WI-00624

ENGINE ELECTRICAL SYSTEM

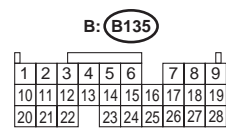
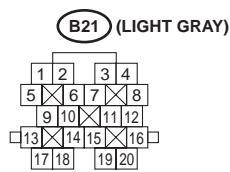
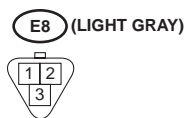
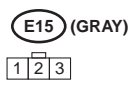
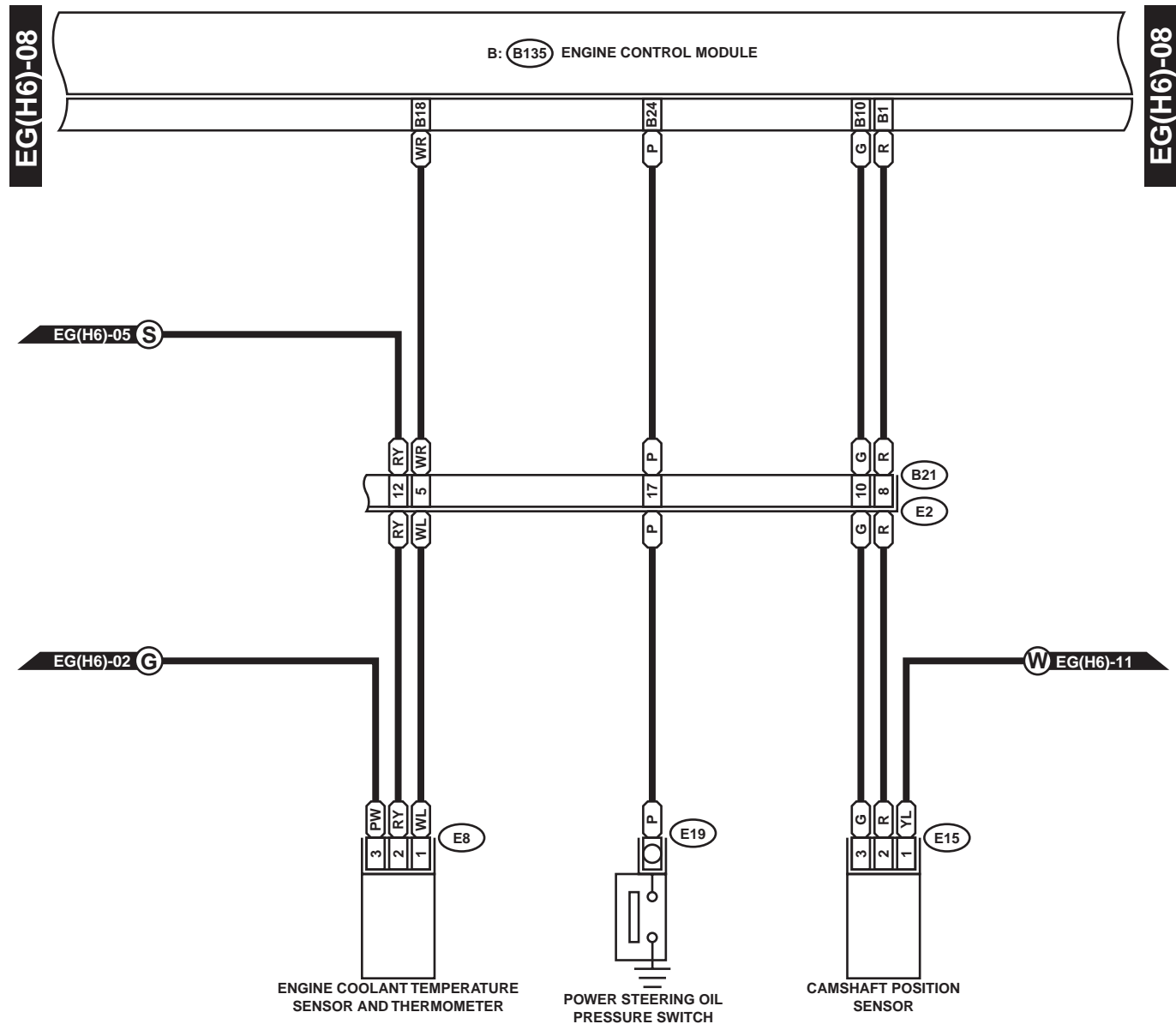
WIRING SYSTEM



WI-00625

ENGINE ELECTRICAL SYSTEM

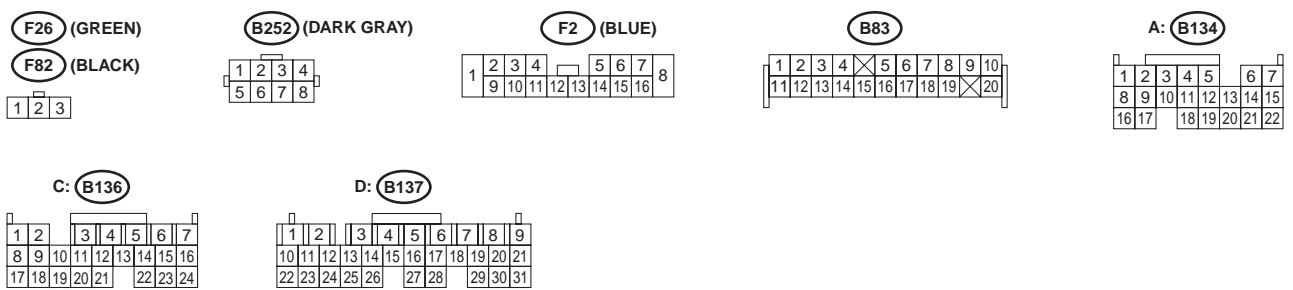
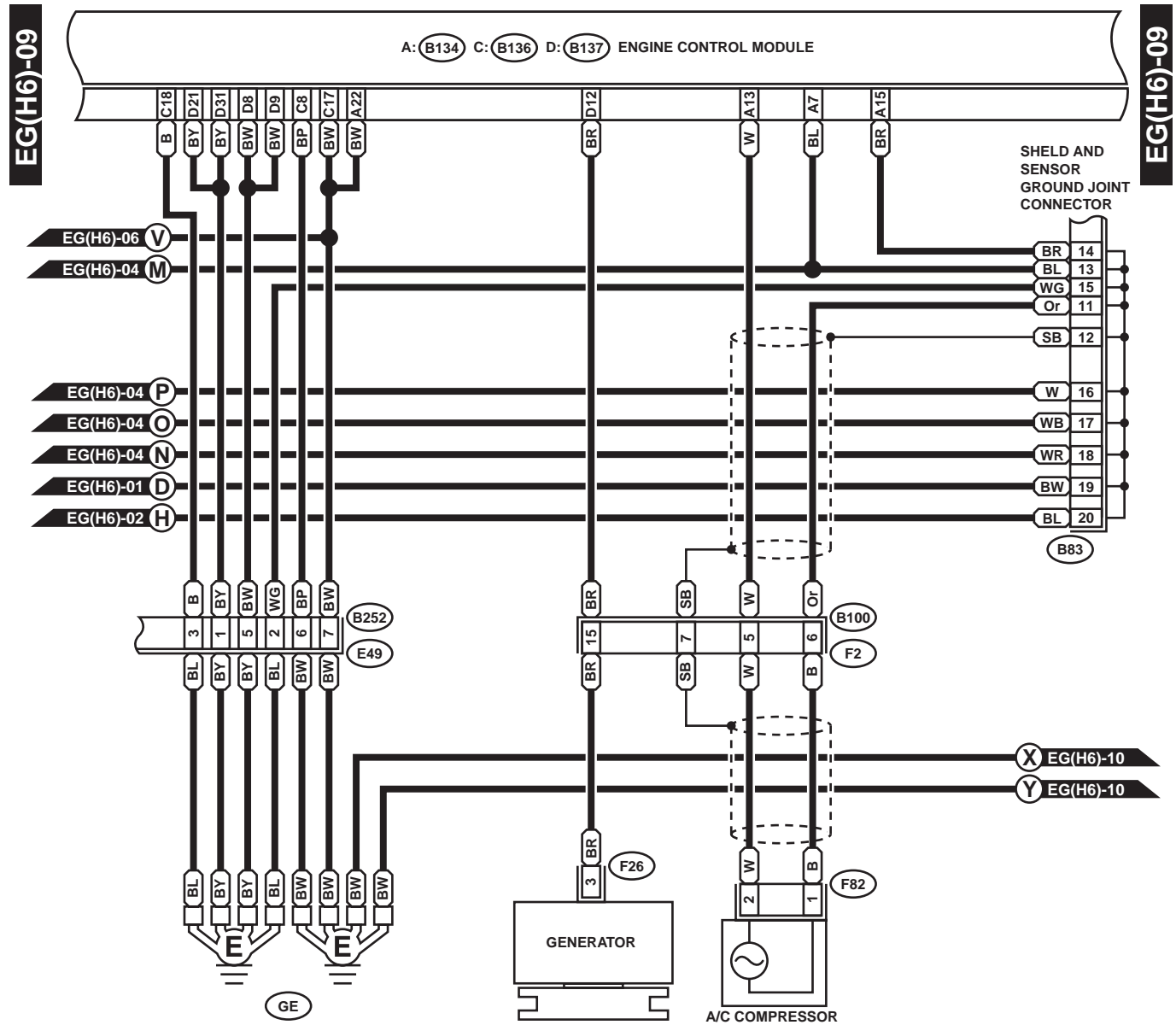
WIRING SYSTEM



WI-00626

ENGINE ELECTRICAL SYSTEM

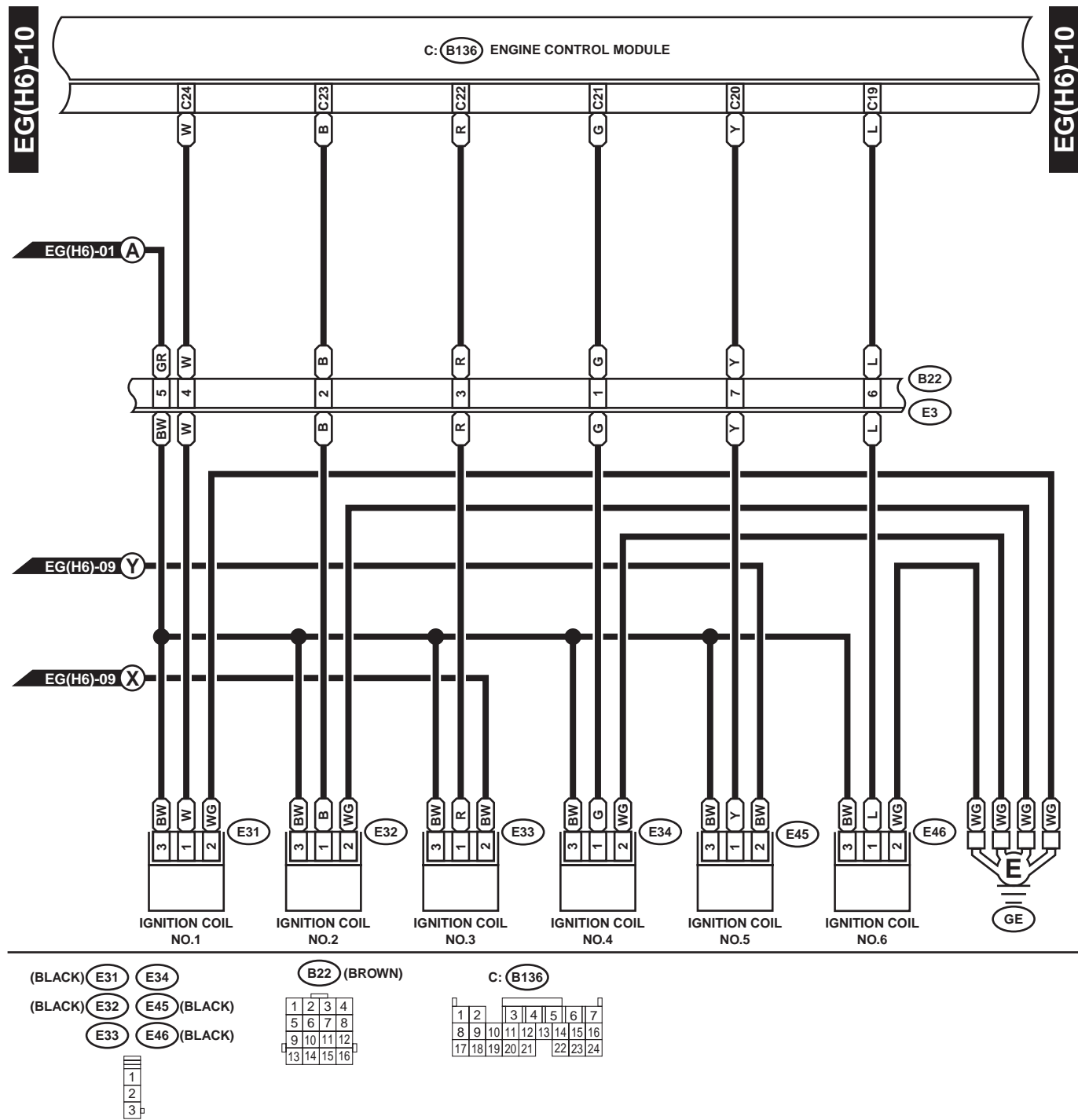
WIRING SYSTEM



WI-00627

ENGINE ELECTRICAL SYSTEM

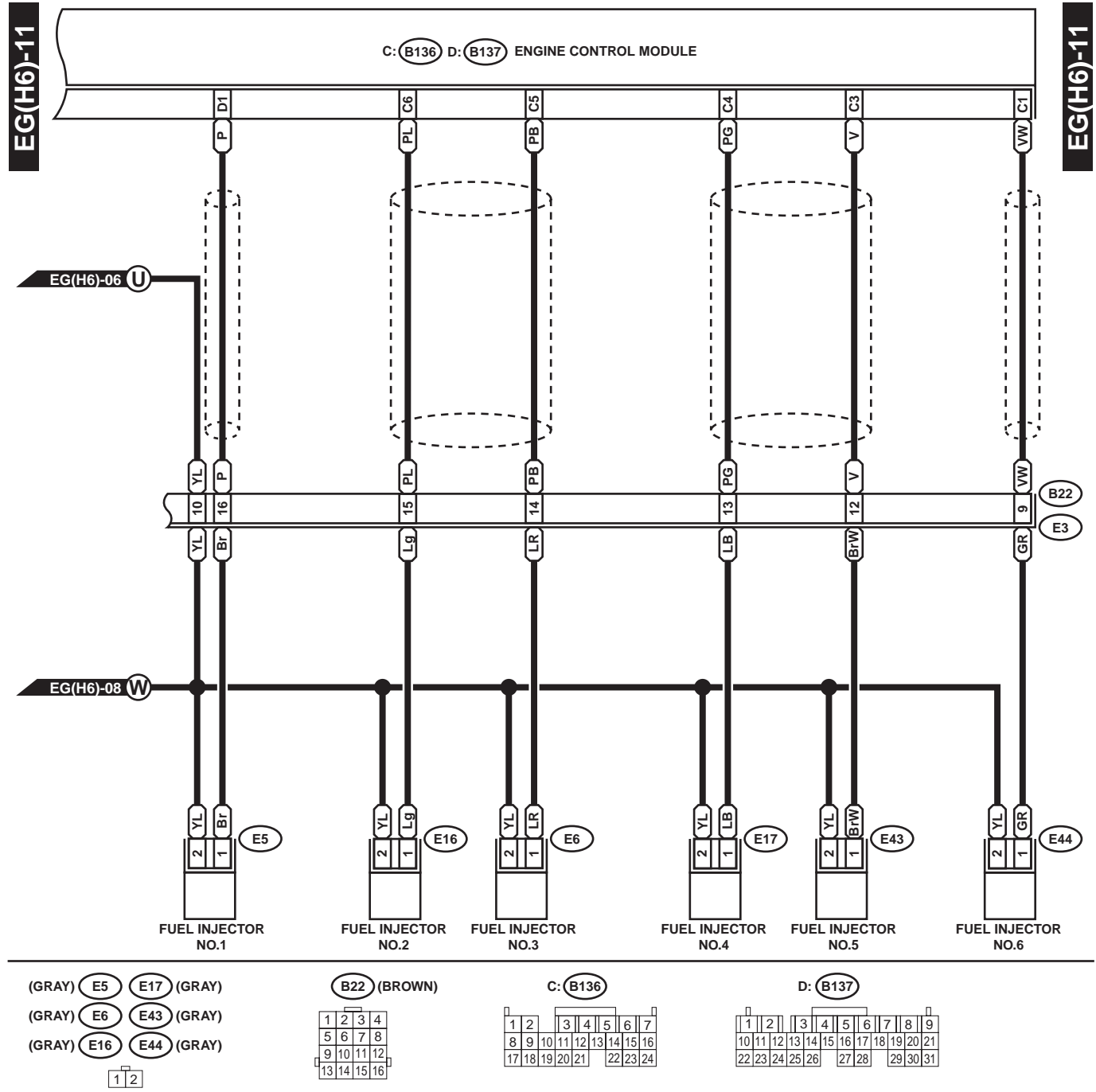
WIRING SYSTEM



WI-00628

ENGINE ELECTRICAL SYSTEM

WIRING SYSTEM



WI-00629

ENGINE ELECTRICAL SYSTEM

WIRING SYSTEM

MEMO:

WI-131