

FUEL GAUGE SYSTEM

WIRING SYSTEM

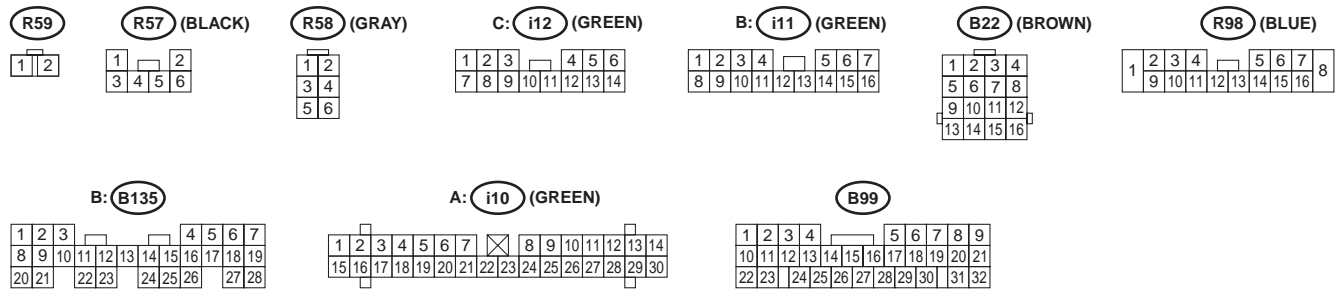
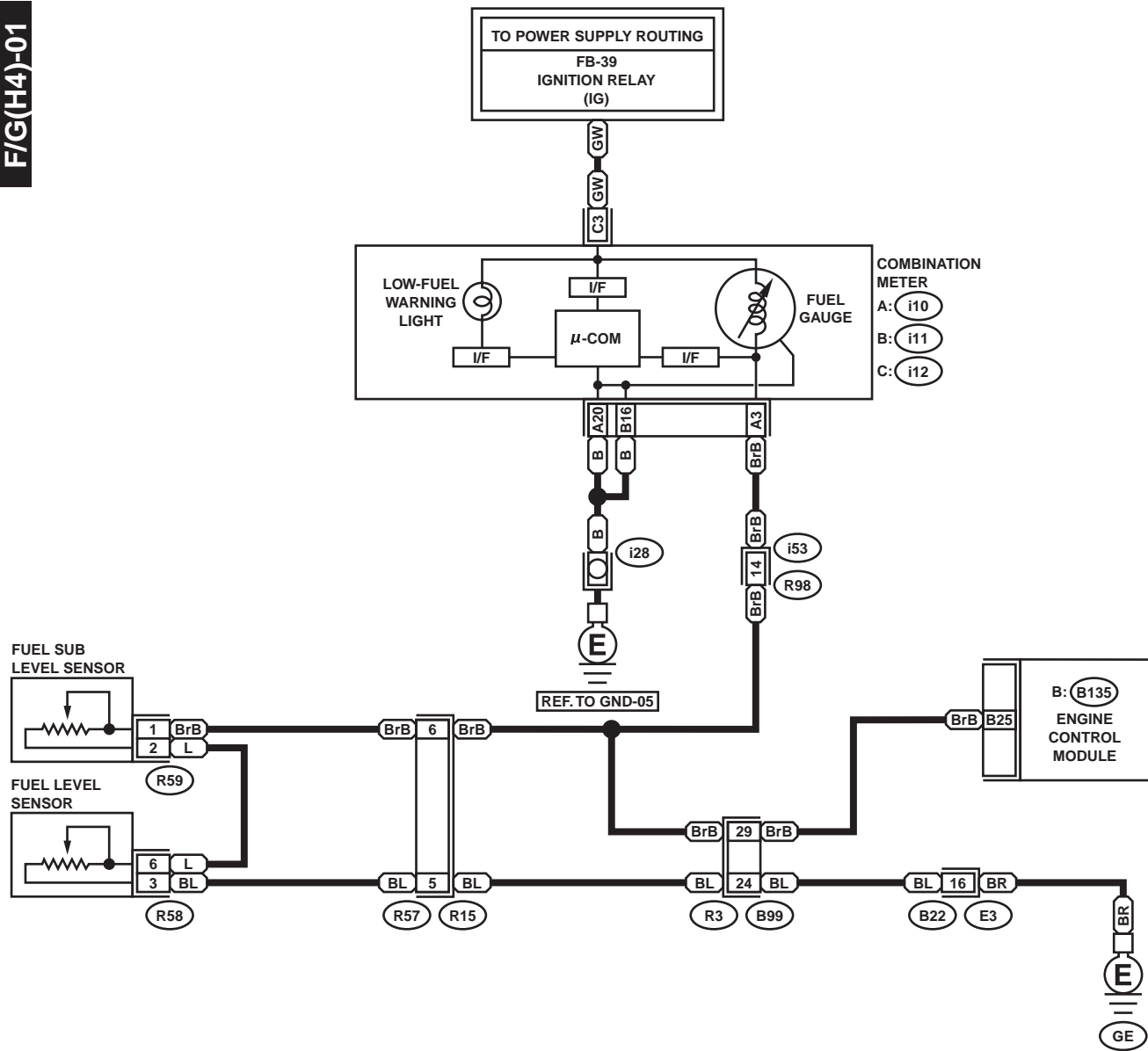
19. Fuel Gauge System

A: SCHEMATIC

1. 4-CYLINDER ENGINE MODEL

F/G(H4)-01

F/G(H4)-01



WI-01061

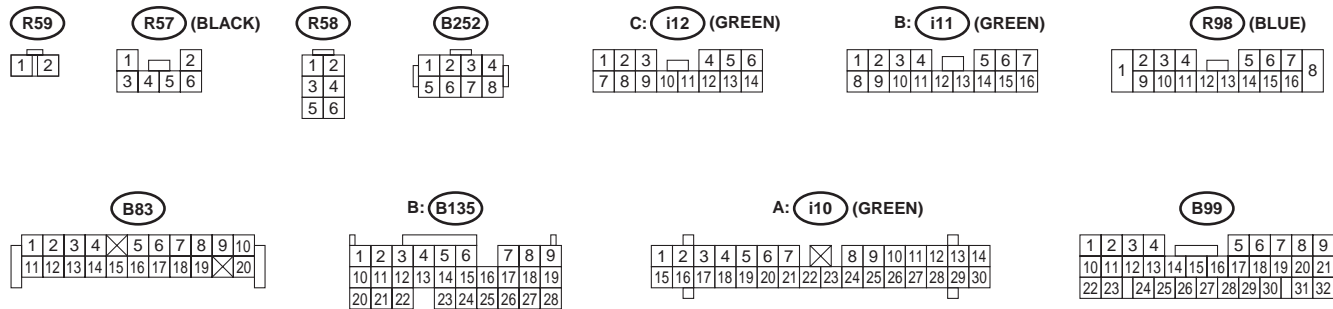
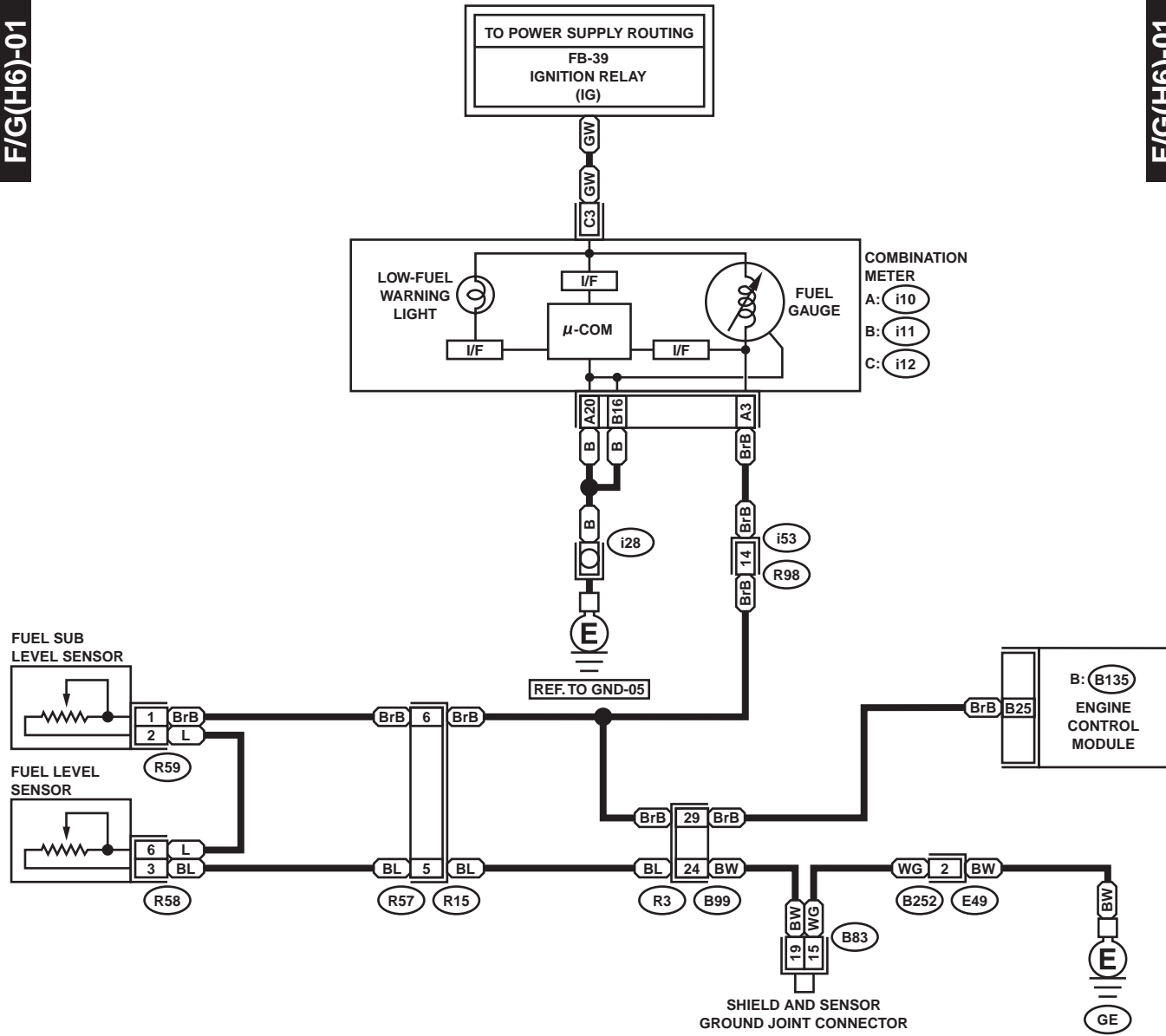
FUEL GAUGE SYSTEM

WIRING SYSTEM

2. 6-CYLINDER ENGINE MODEL

F/G(H6)-01

F/G(H6)-01



WI-00631