

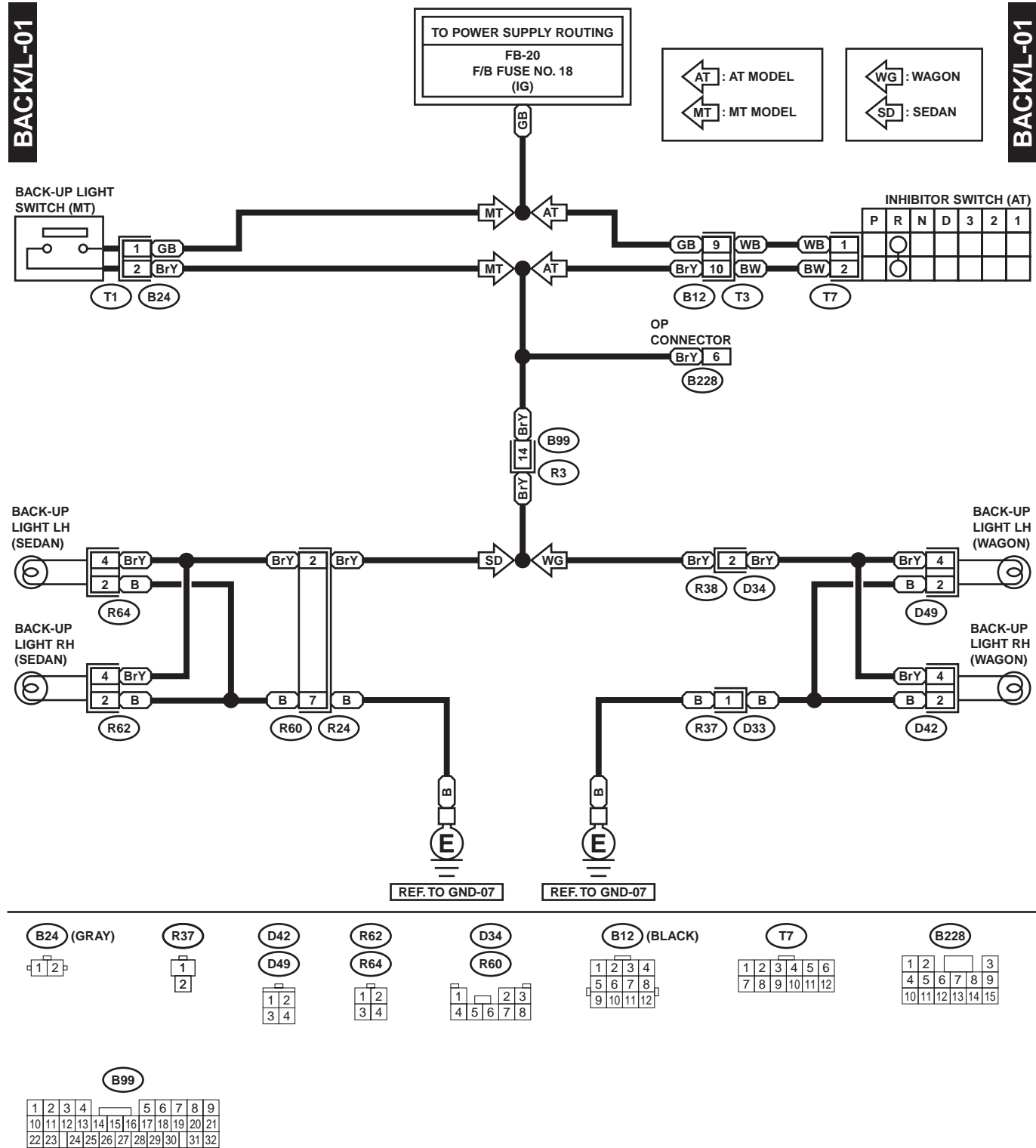
BACK-UP LIGHT SYSTEM

WIRING SYSTEM

23.Back-up Light System

A: SCHEMATIC

1. SEDAN & WAGON MODEL

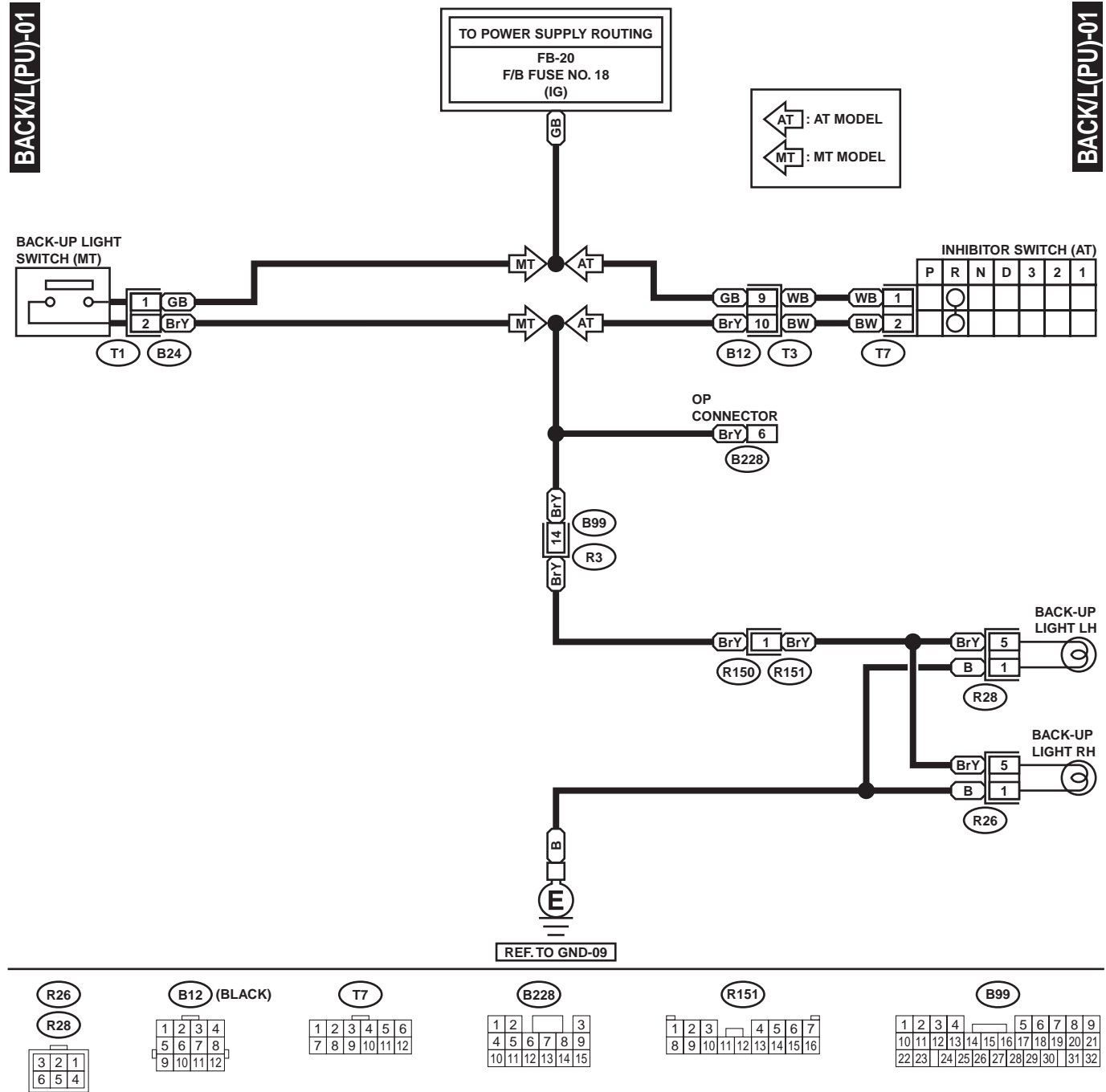


WI-00637

BACK-UP LIGHT SYSTEM

WIRING SYSTEM

2. PICK-UP MODEL



WI-00638