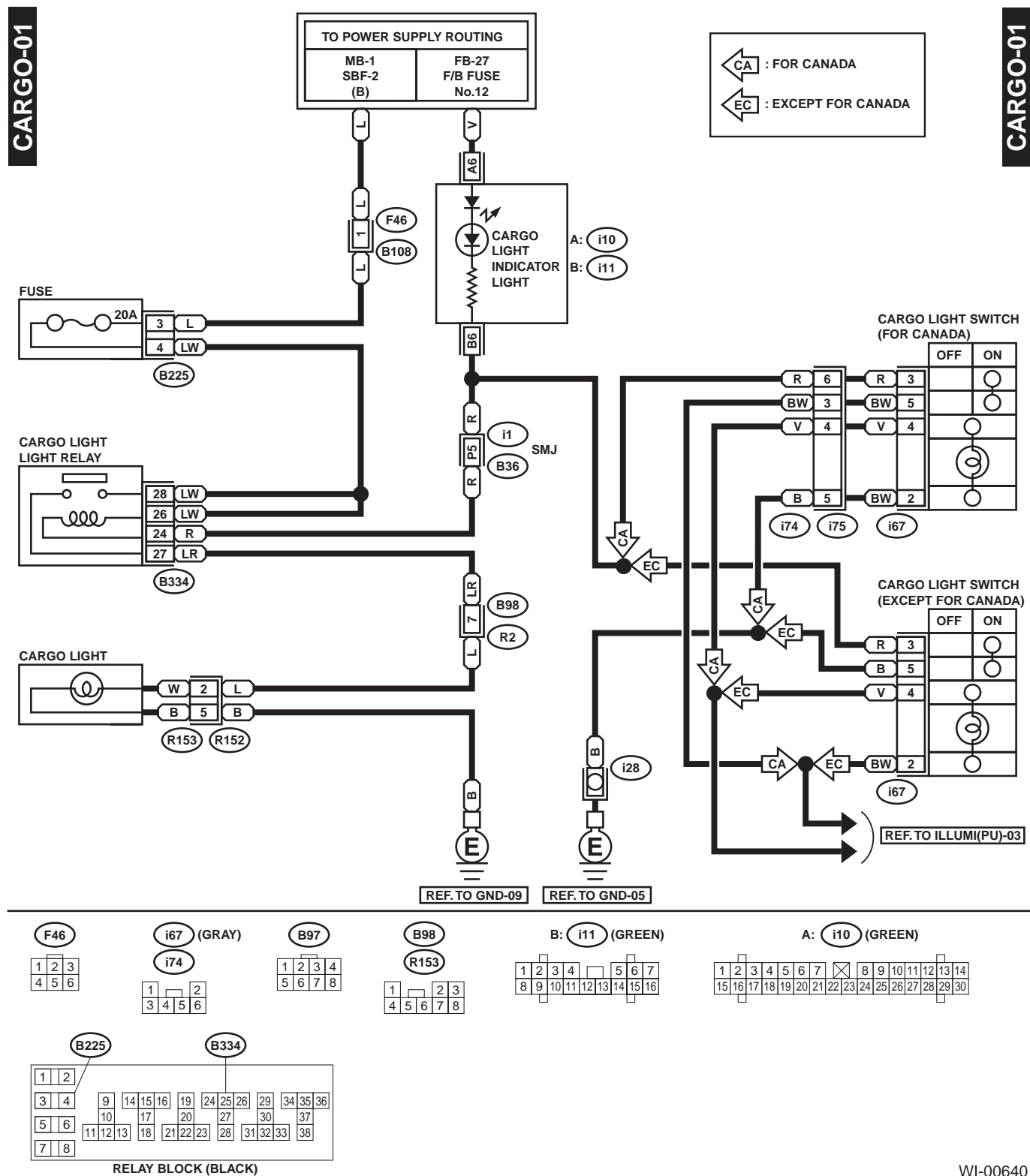


CARGO LIGHT SYSTEM

WIRING SYSTEM

25. Cargo Light System

A: SCHEMATIC



WI-00640