

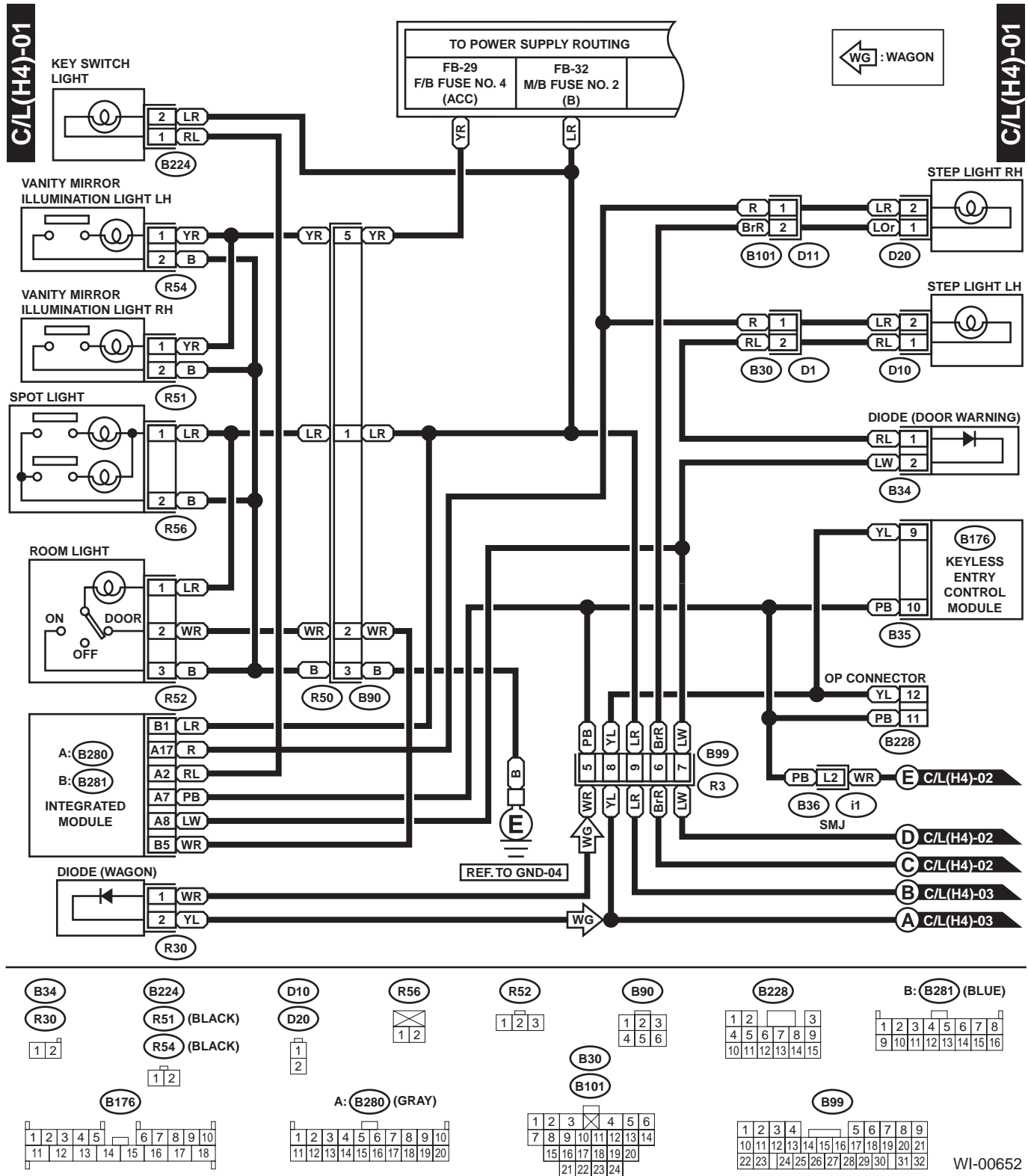
IN COMPARTMENT LIGHT SYSTEM

WIRING SYSTEM

29. In Compartment Light System

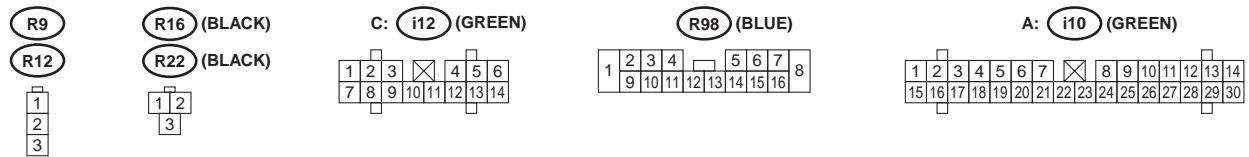
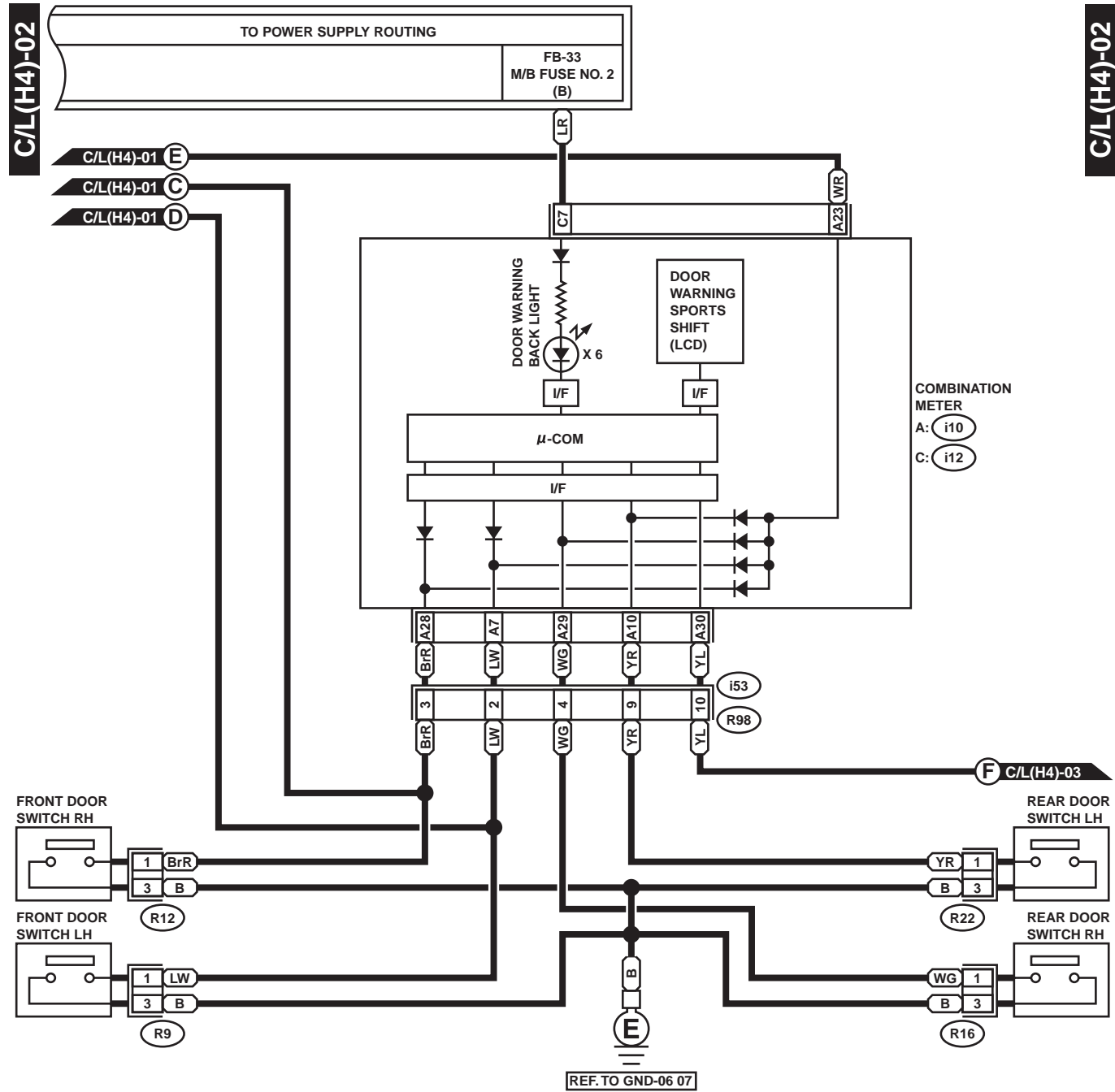
A: SCHEMATIC

1. SEDAN & WAGON MODEL



IN COMPARTMENT LIGHT SYSTEM

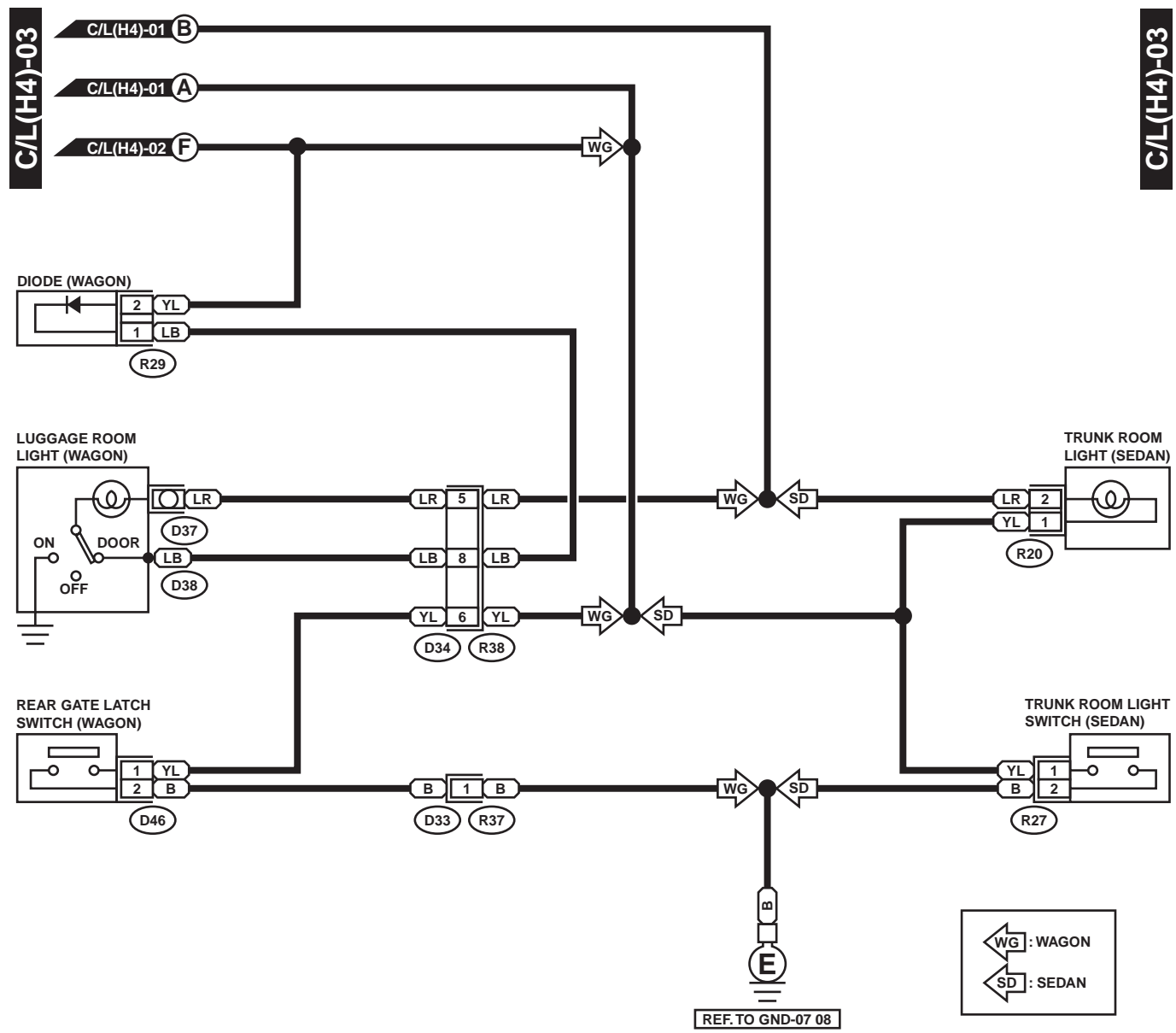
WIRING SYSTEM



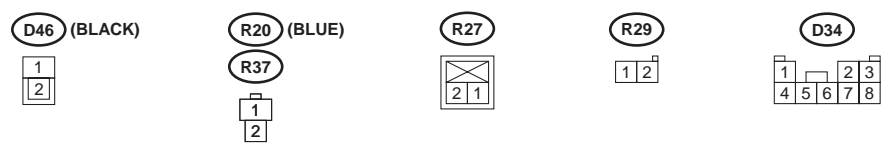
WI-00653

IN COMPARTMENT LIGHT SYSTEM

WIRING SYSTEM



REF. TO GND-07 08

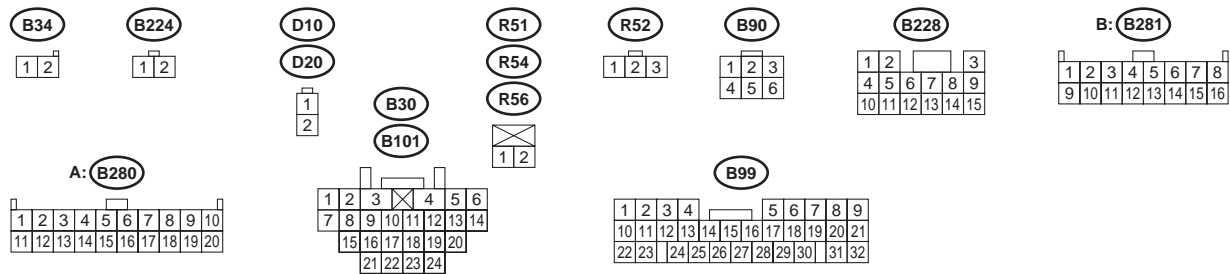
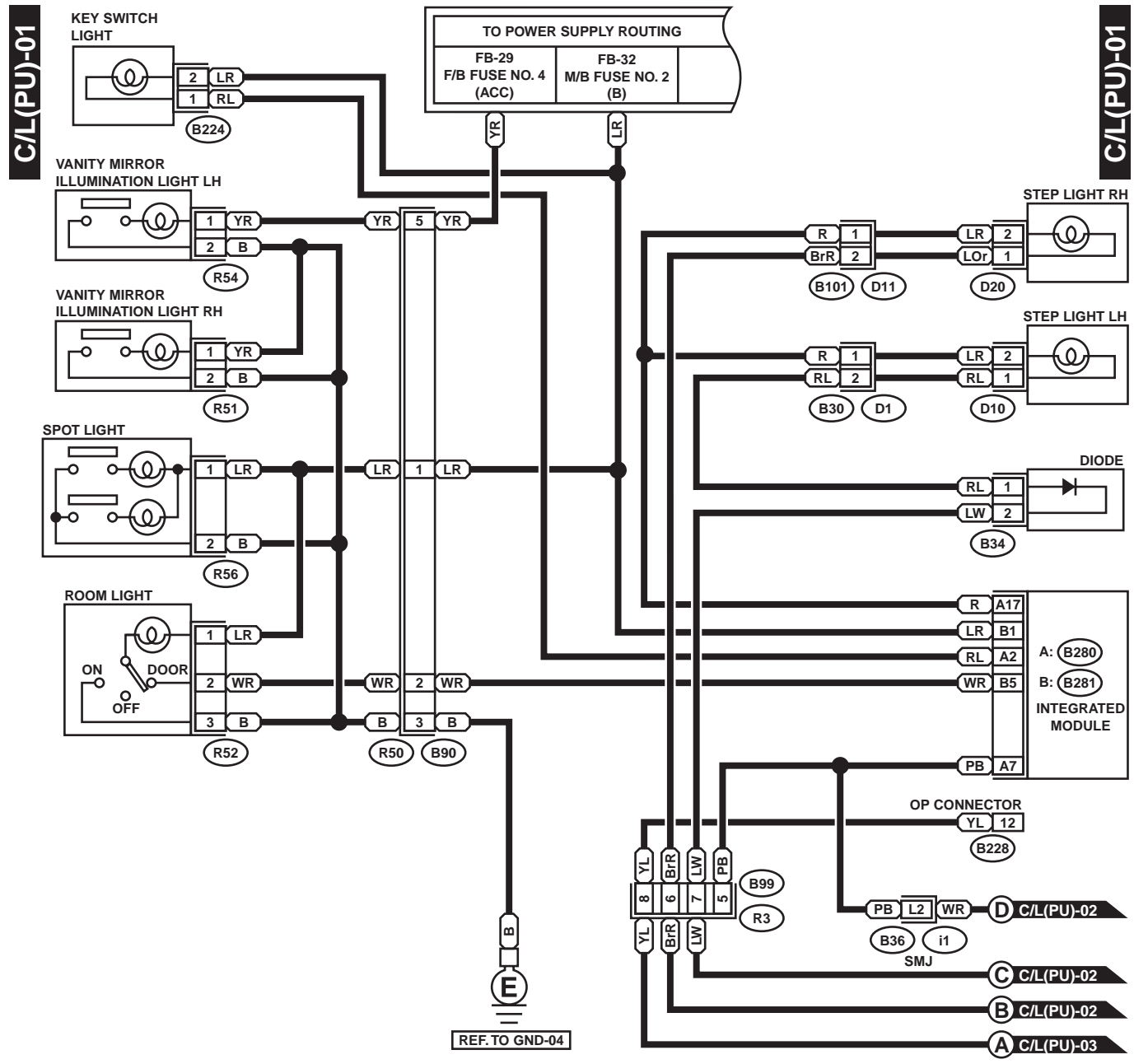


WI-00654

IN COMPARTMENT LIGHT SYSTEM

WIRING SYSTEM

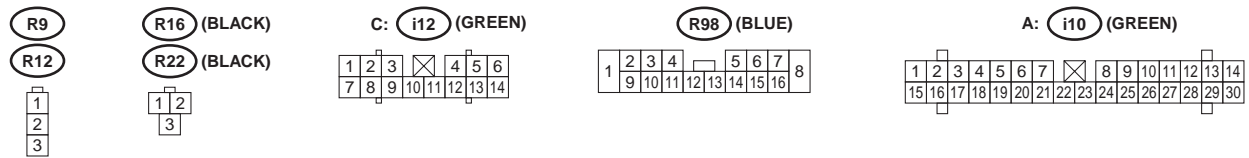
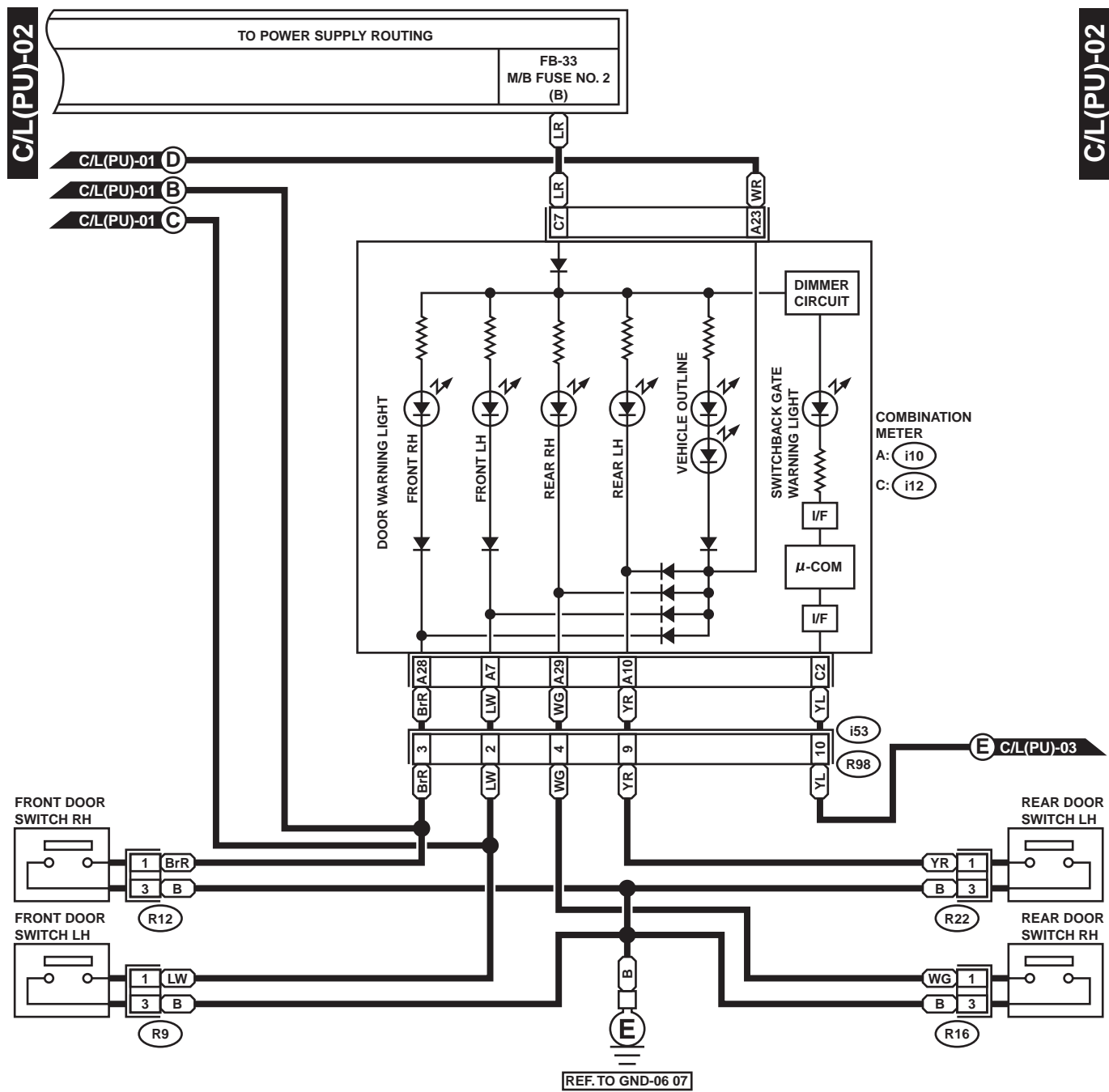
2. PICK-UP MODEL



WI-00655

IN COMPARTMENT LIGHT SYSTEM

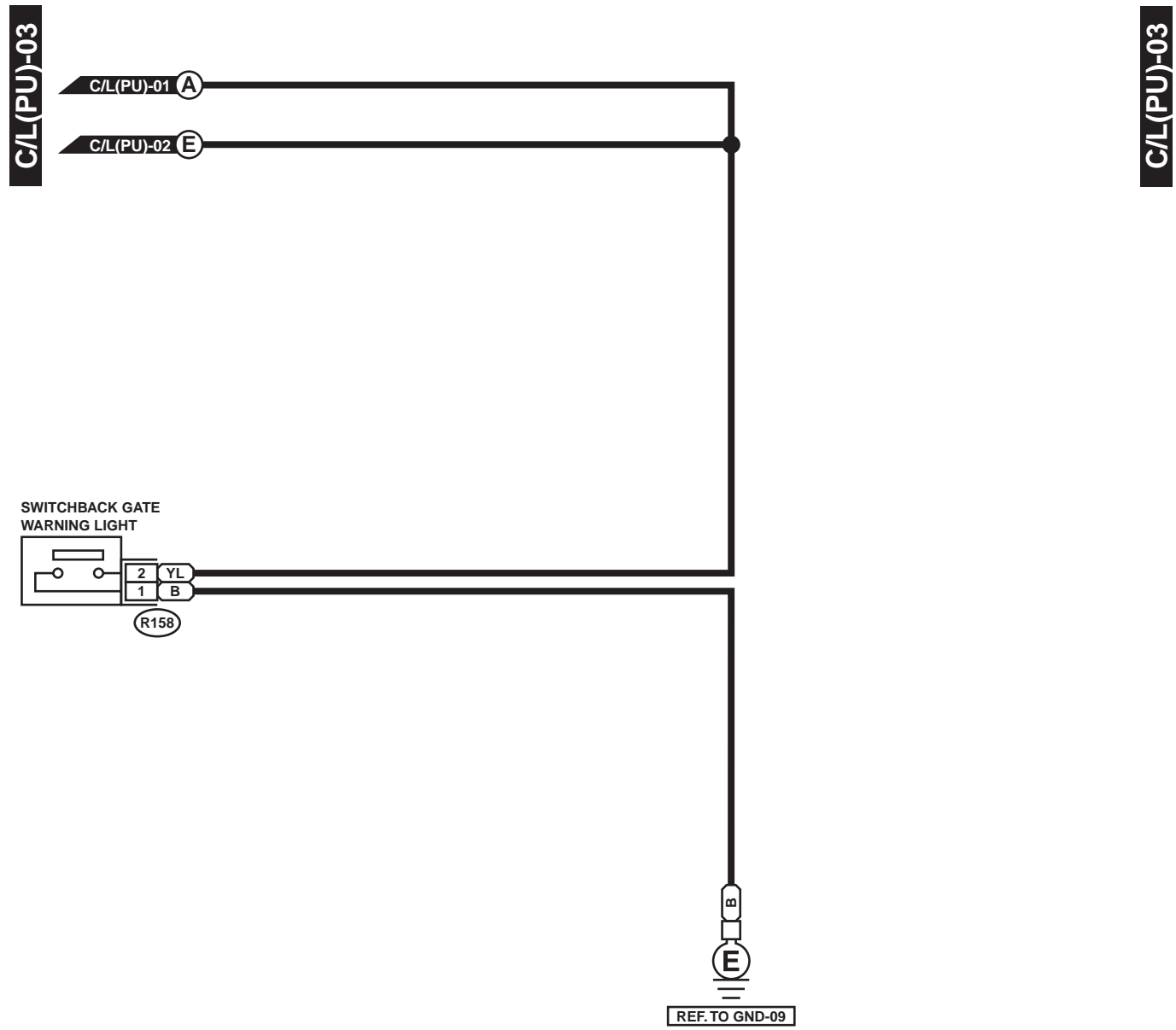
WIRING SYSTEM



WI-00656

IN COMPARTMENT LIGHT SYSTEM

WIRING SYSTEM



R158

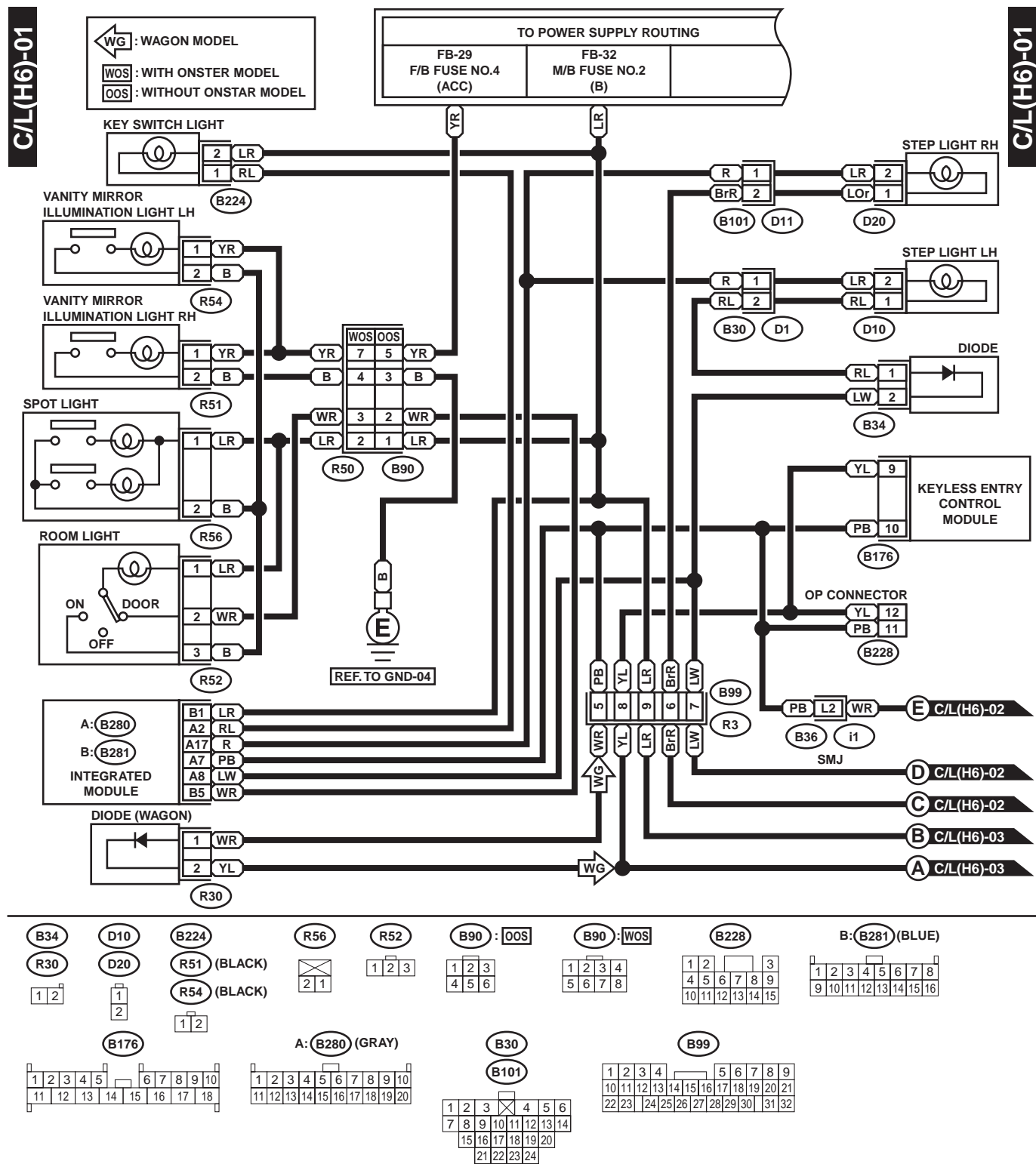


WI-00657

IN COMPARTMENT LIGHT SYSTEM

WIRING SYSTEM

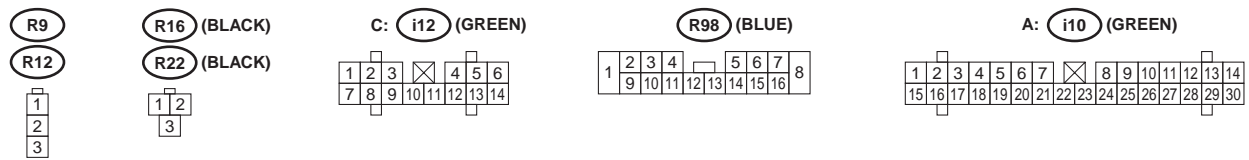
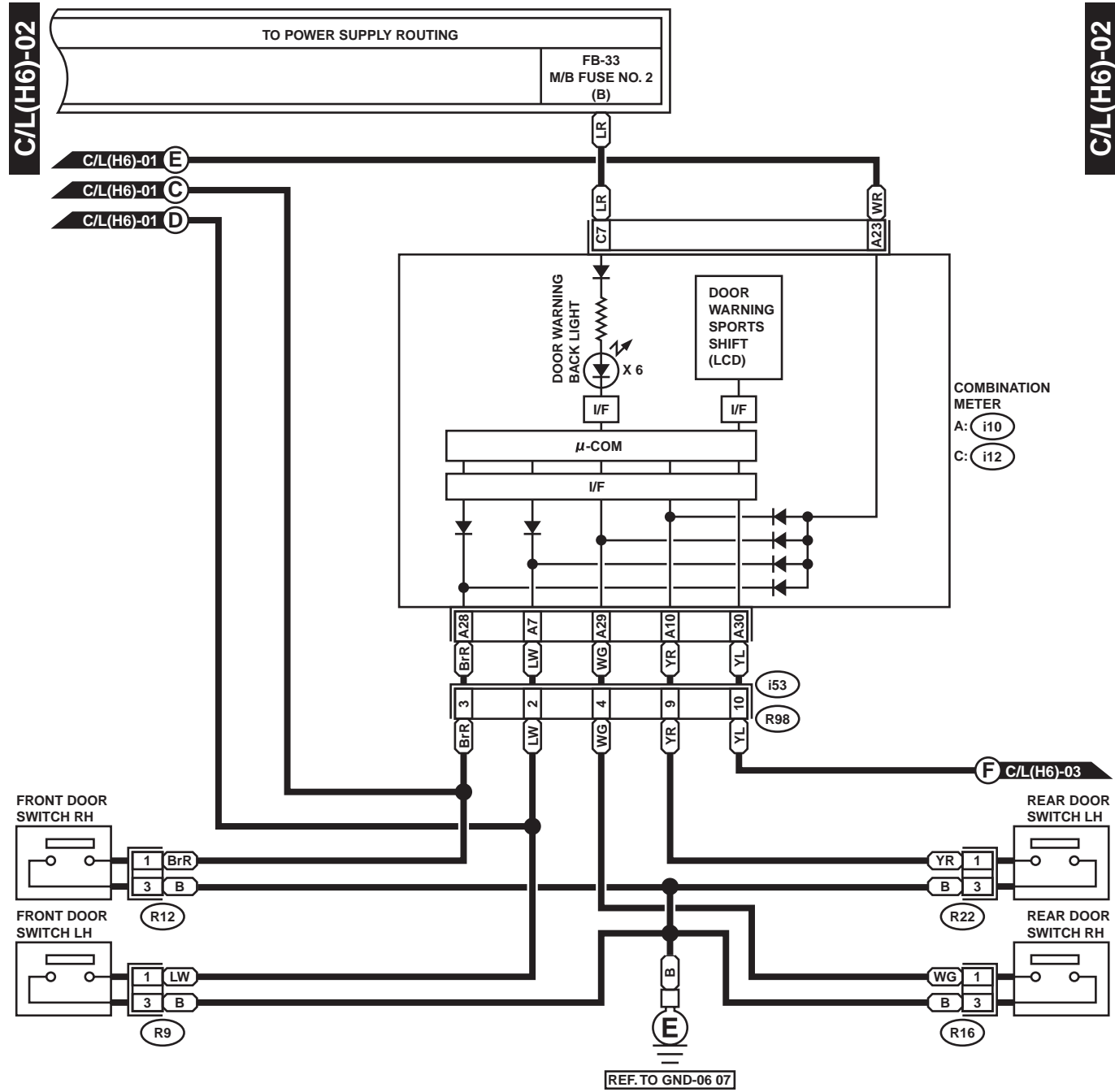
3. 6-CYLINDER ENGINE MODEL



WI-00658

IN COMPARTMENT LIGHT SYSTEM

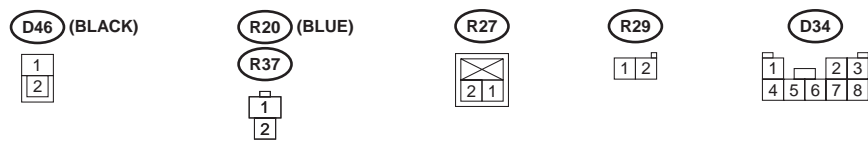
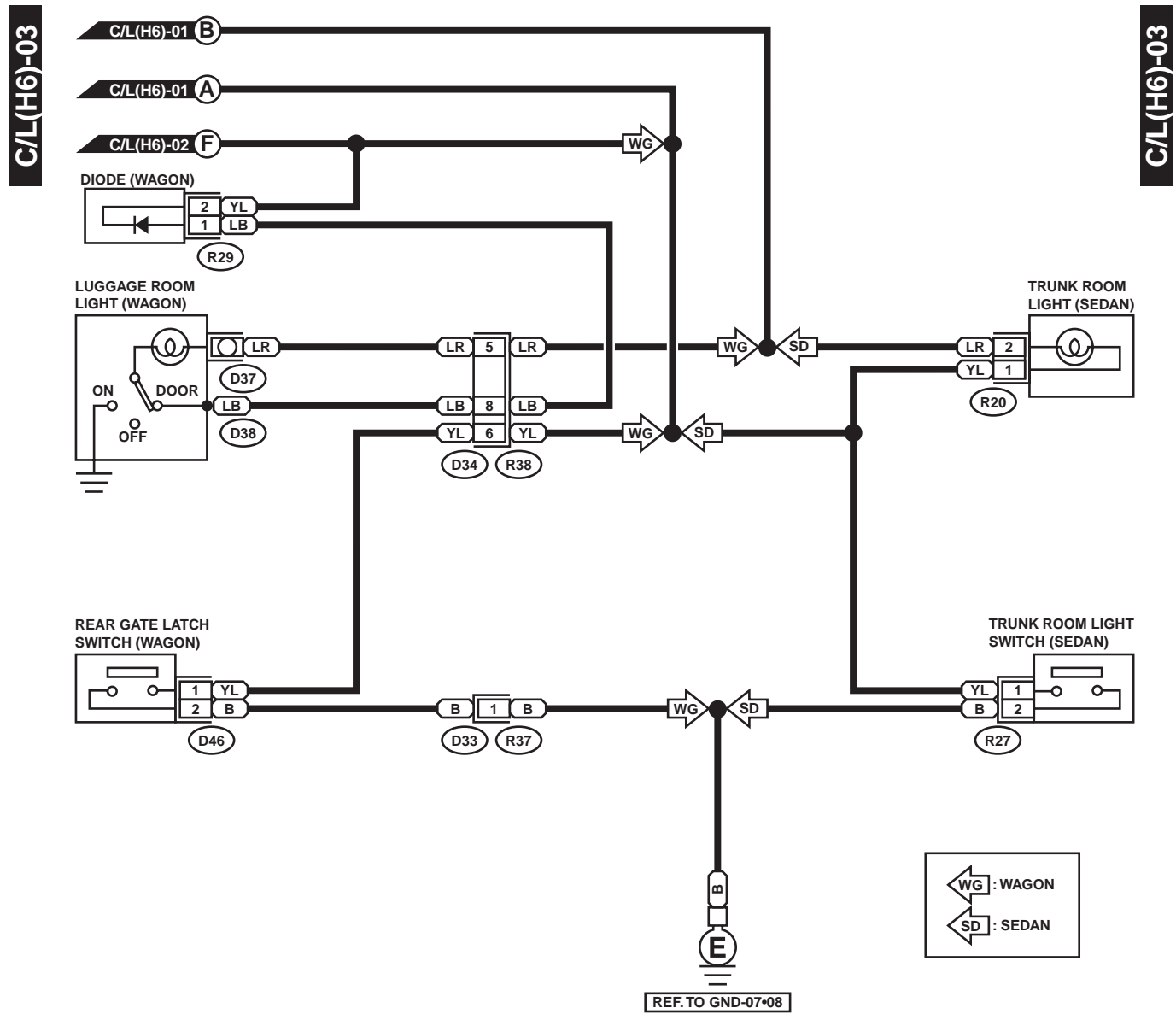
WIRING SYSTEM



WI-00659

IN COMPARTMENT LIGHT SYSTEM

WIRING SYSTEM



WI-00660

IN COMPARTMENT LIGHT SYSTEM

WIRING SYSTEM

MEMO:

WI-167