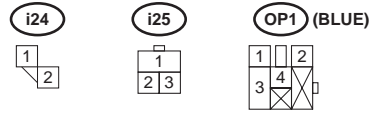
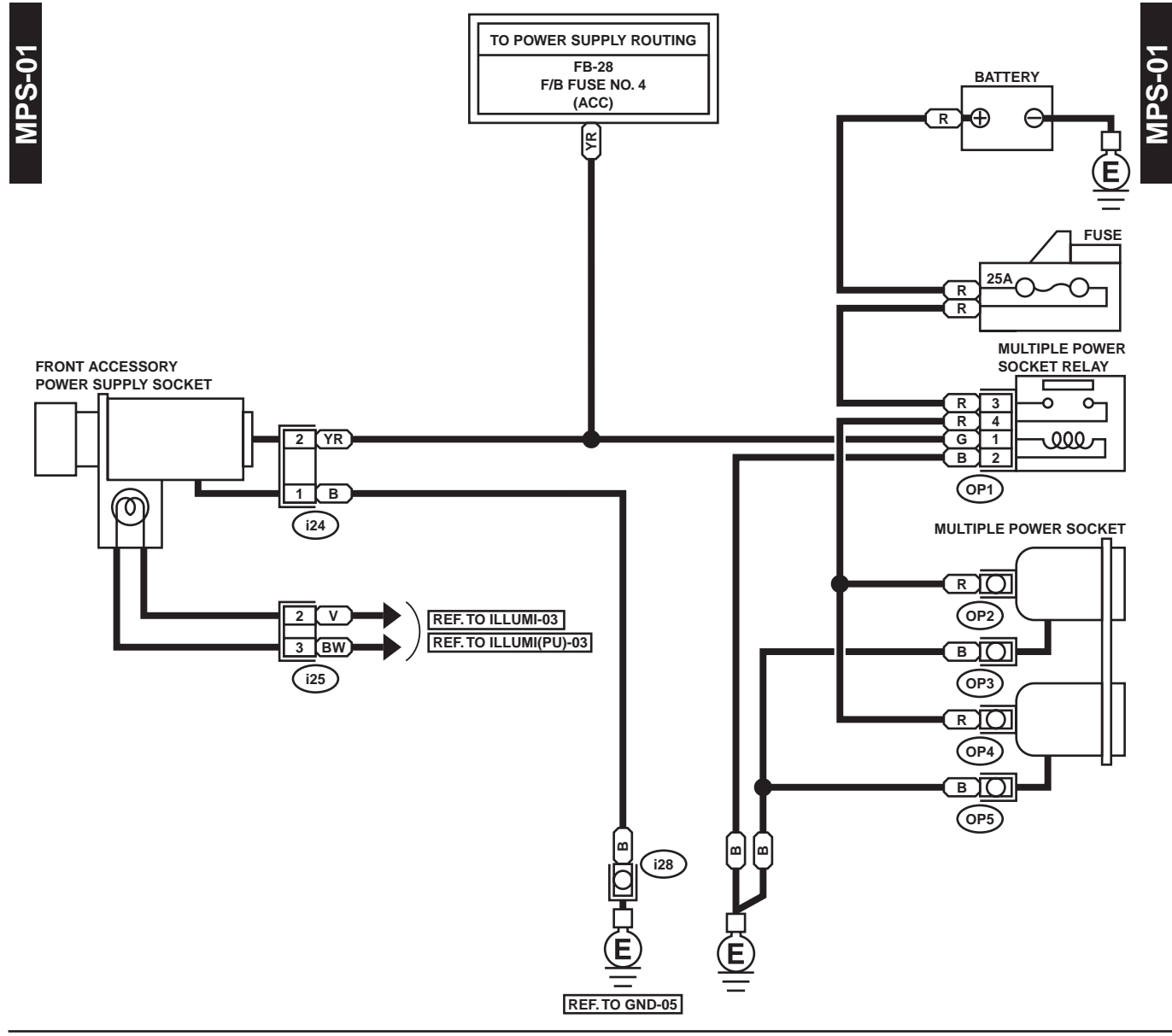


## MULTIPLE POWER SOCKET SYSTEM (OPTION)

WIRING SYSTEM

### 32. Multiple Power Socket System (Option)

#### A: SCHEMATIC



WI-00668

WI-176