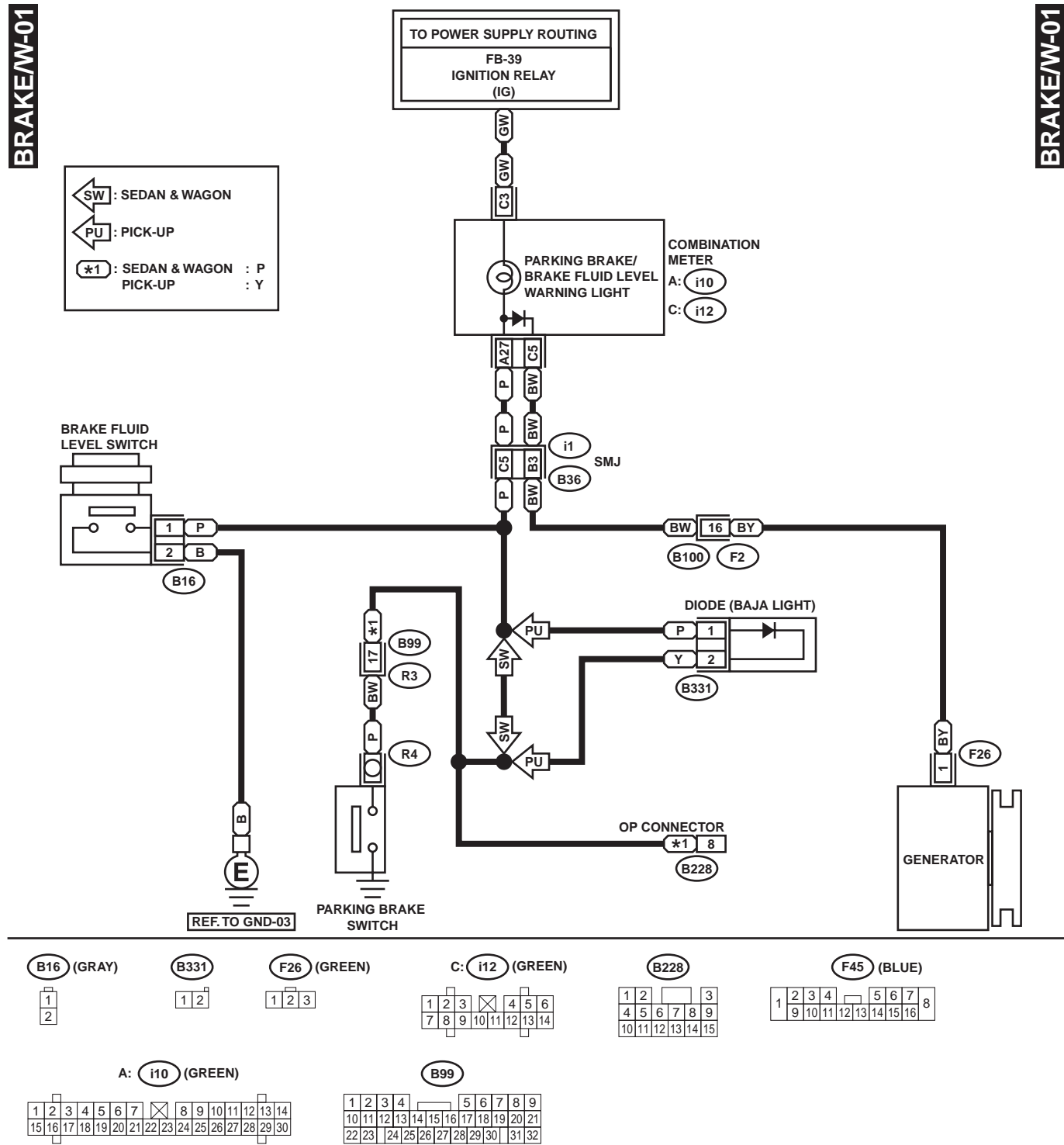


# PARKING BRAKE AND BRAKE FLUID LEVEL WARNING SYSTEM

WIRING SYSTEM

## 36. Parking Brake and Brake Fluid Level Warning System

### A: SCHEMATIC



WI-00675