

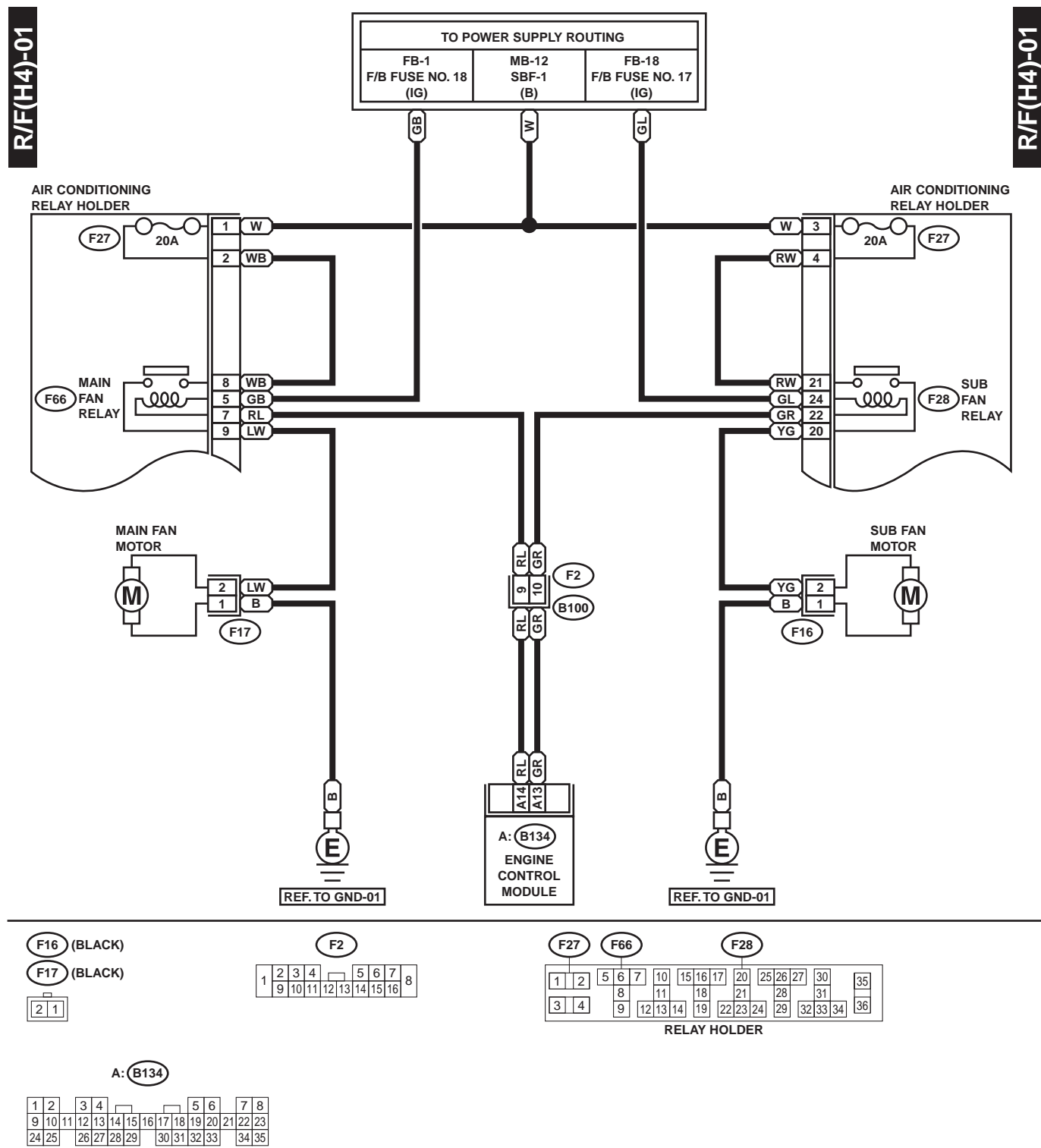
# RADIATOR FAN SYSTEM

WIRING SYSTEM

## 39.Radiator Fan System

### A: SCHEMATIC

#### 1. 4-CYLINDER ENGINE MODEL



R/F(H4)-01

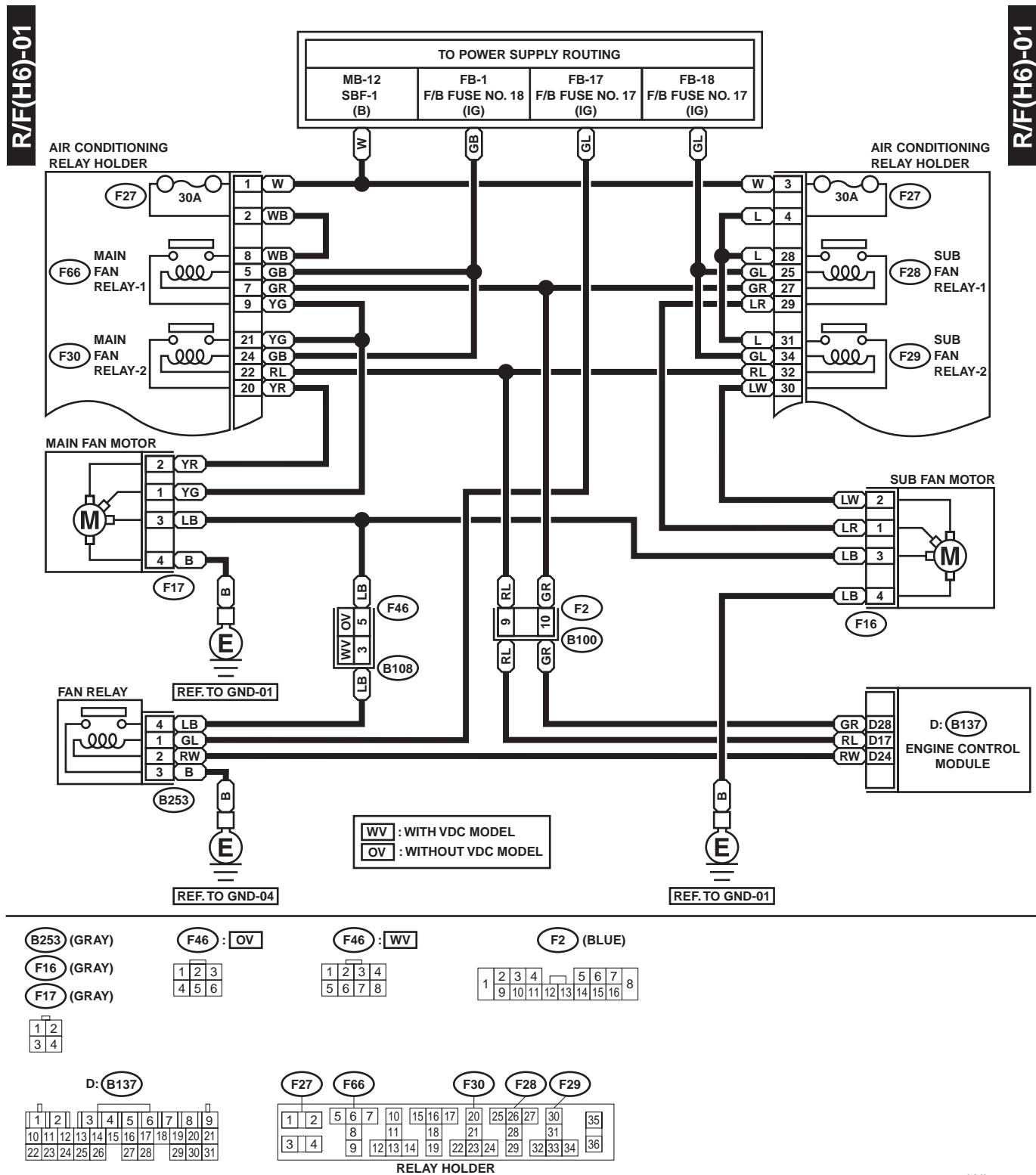
R/F(H4)-01

WI-01067

# RADIATOR FAN SYSTEM

WIRING SYSTEM

## 2. 6-CYLINDER ENGINE MODEL



WI-00682