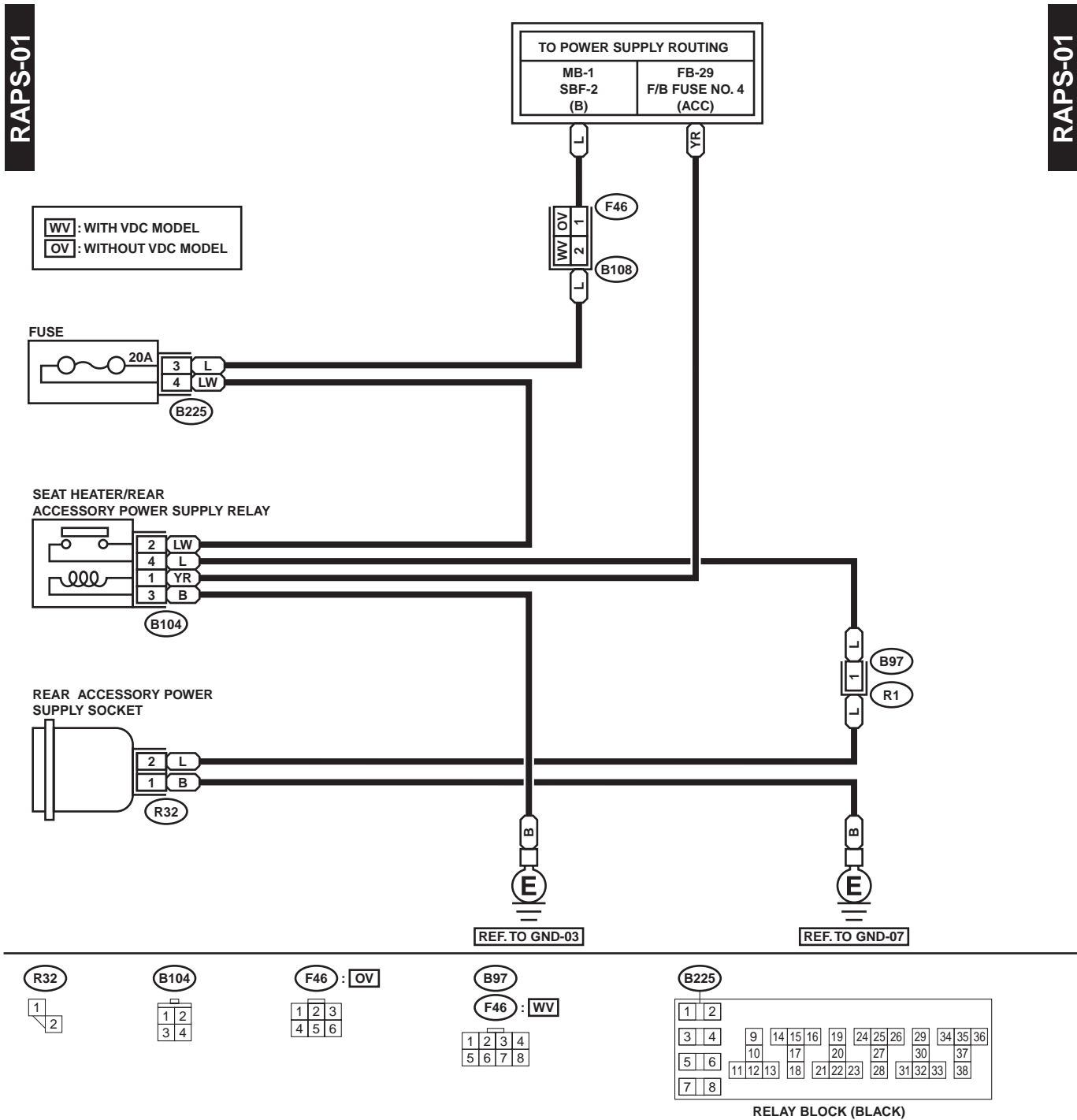


REAR ACCESSORY POWER SUPPLY SYSTEM

WIRING SYSTEM

40.Rear Accessory Power Supply System

A: SCHEMATIC



RAPS-01

RAPS-01

WI-00683

REAR ACCESSORY POWER SUPPLY SYSTEM

WIRING SYSTEM

MEMO: