

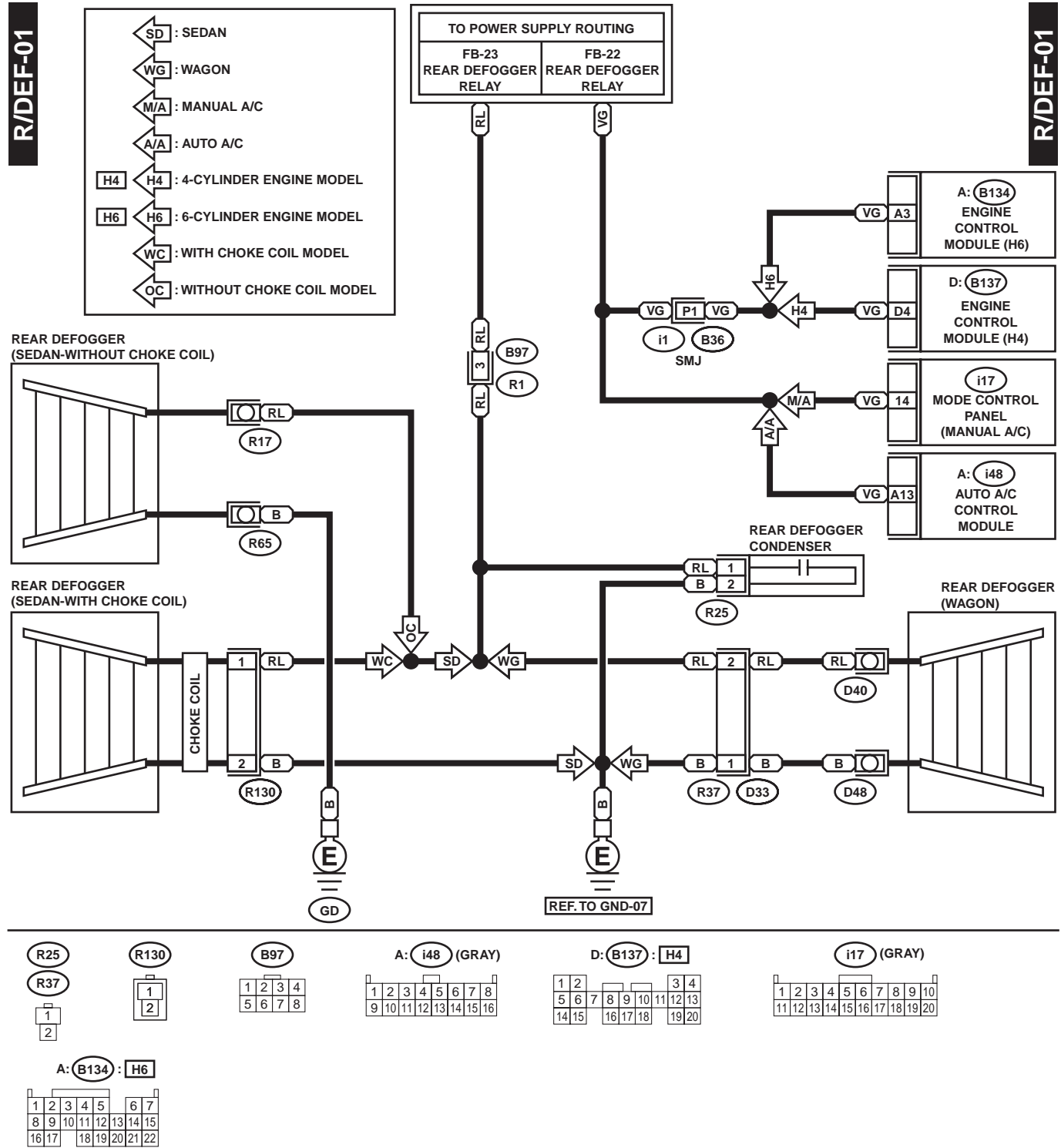
REAR WINDOW DEFOGGER SYSTEM

WIRING SYSTEM

41.Rear Window Defogger System

A: SCHEMATIC

1. SEDAN & WAGON MODEL

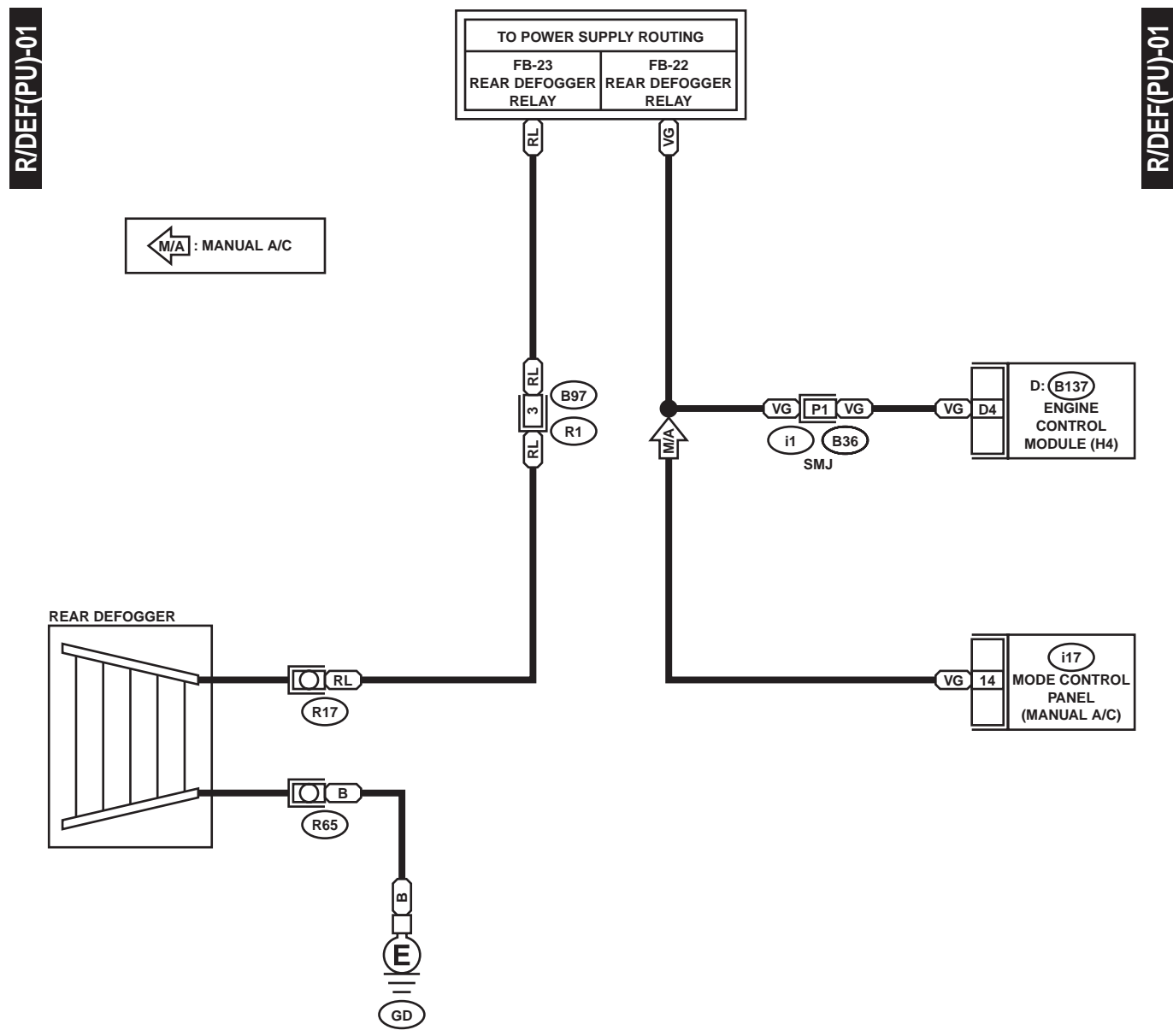


WI-01068

REAR WINDOW DEFOGGER SYSTEM

WIRING SYSTEM

2. PICK-UP MODEL



B97

| | | | |
|---|---|---|---|
| 1 | 2 | 3 | 4 |
| 5 | 6 | 7 | 8 |

A: i48 (GRAY)

| | | | | | | | |
|---|----|----|----|----|----|----|----|
| 1 | 2 | 3 | 4 | 5 | 6 | 7 | 8 |
| 9 | 10 | 11 | 12 | 13 | 14 | 15 | 16 |

D: B137

| | | | |
|----|----|----|----|
| 1 | 2 | 3 | 4 |
| 5 | 6 | 7 | 8 |
| 9 | 10 | 11 | 12 |
| 13 | 14 | 15 | 16 |
| 17 | 18 | 19 | 20 |

i17 (GRAY)

| | | | | | | | | | |
|----|----|----|----|----|----|----|----|----|----|
| 1 | 2 | 3 | 4 | 5 | 6 | 7 | 8 | 9 | 10 |
| 11 | 12 | 13 | 14 | 15 | 16 | 17 | 18 | 19 | 20 |

WI-00685