

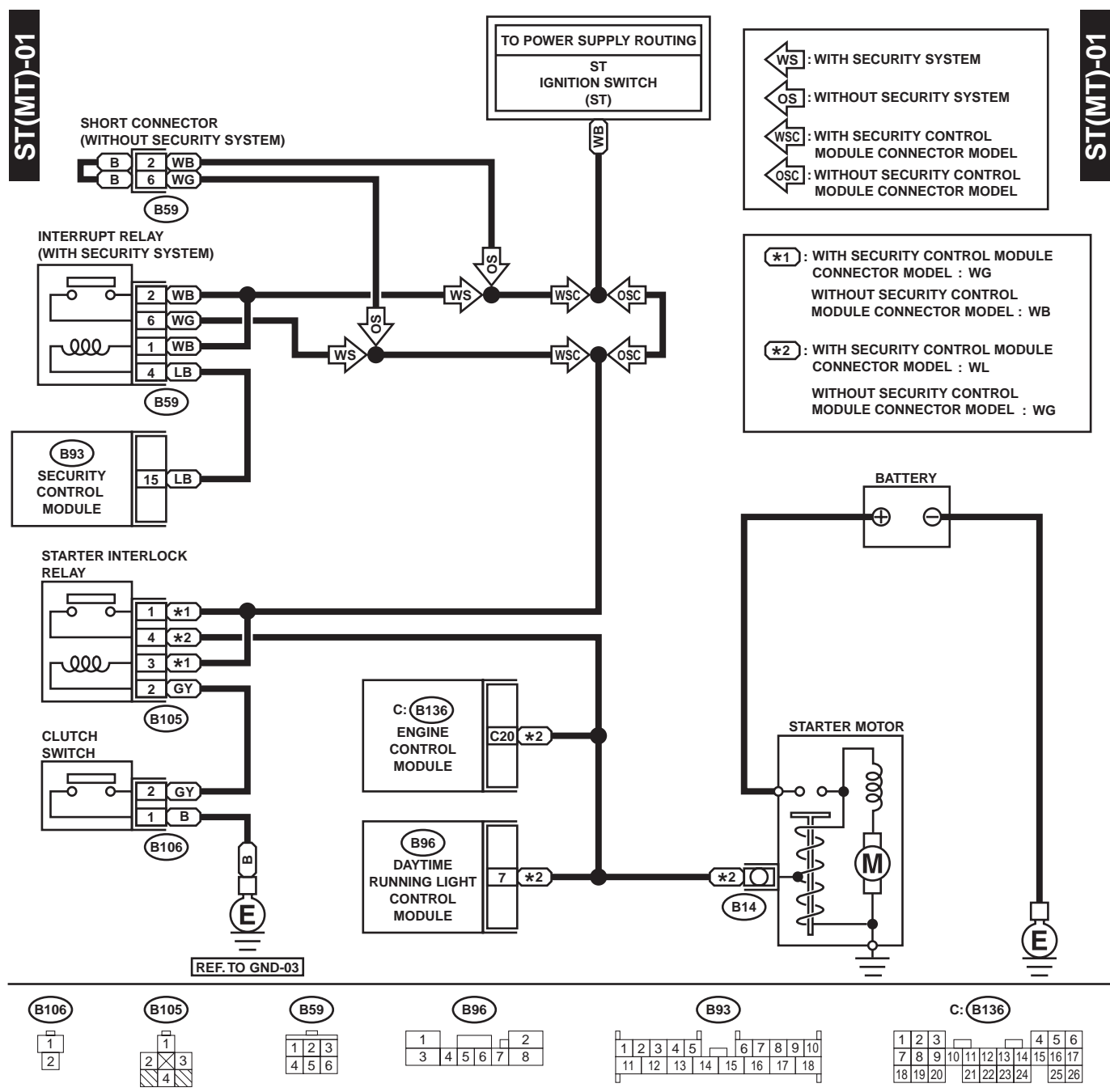
# STARTER SYSTEM

WIRING SYSTEM

## 46. Starter System

### A: SCHEMATIC

#### 1. MT MODEL

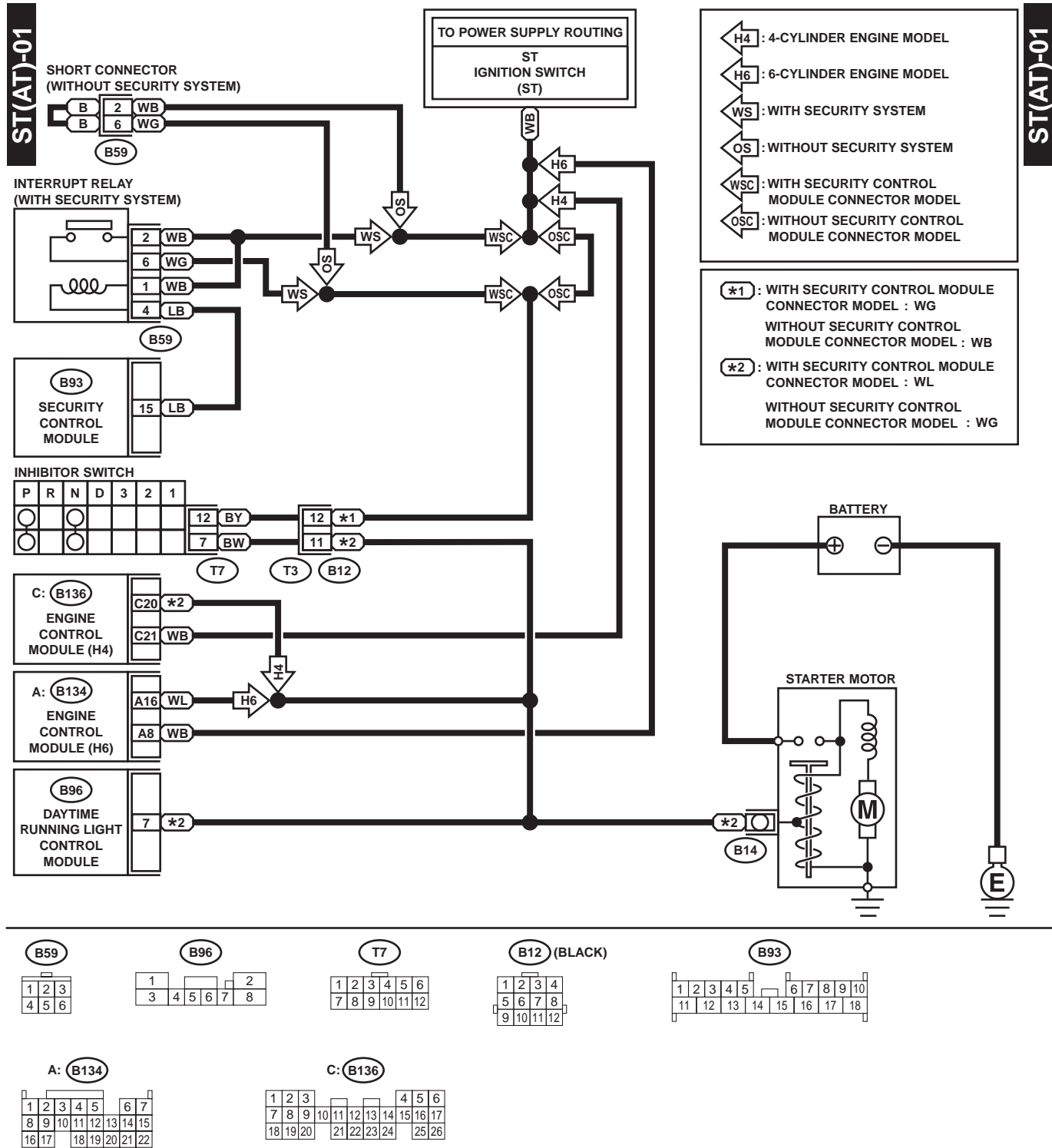


WI-00692

# STARTER SYSTEM

WIRING SYSTEM

## 2. AT MODEL



WI-00694