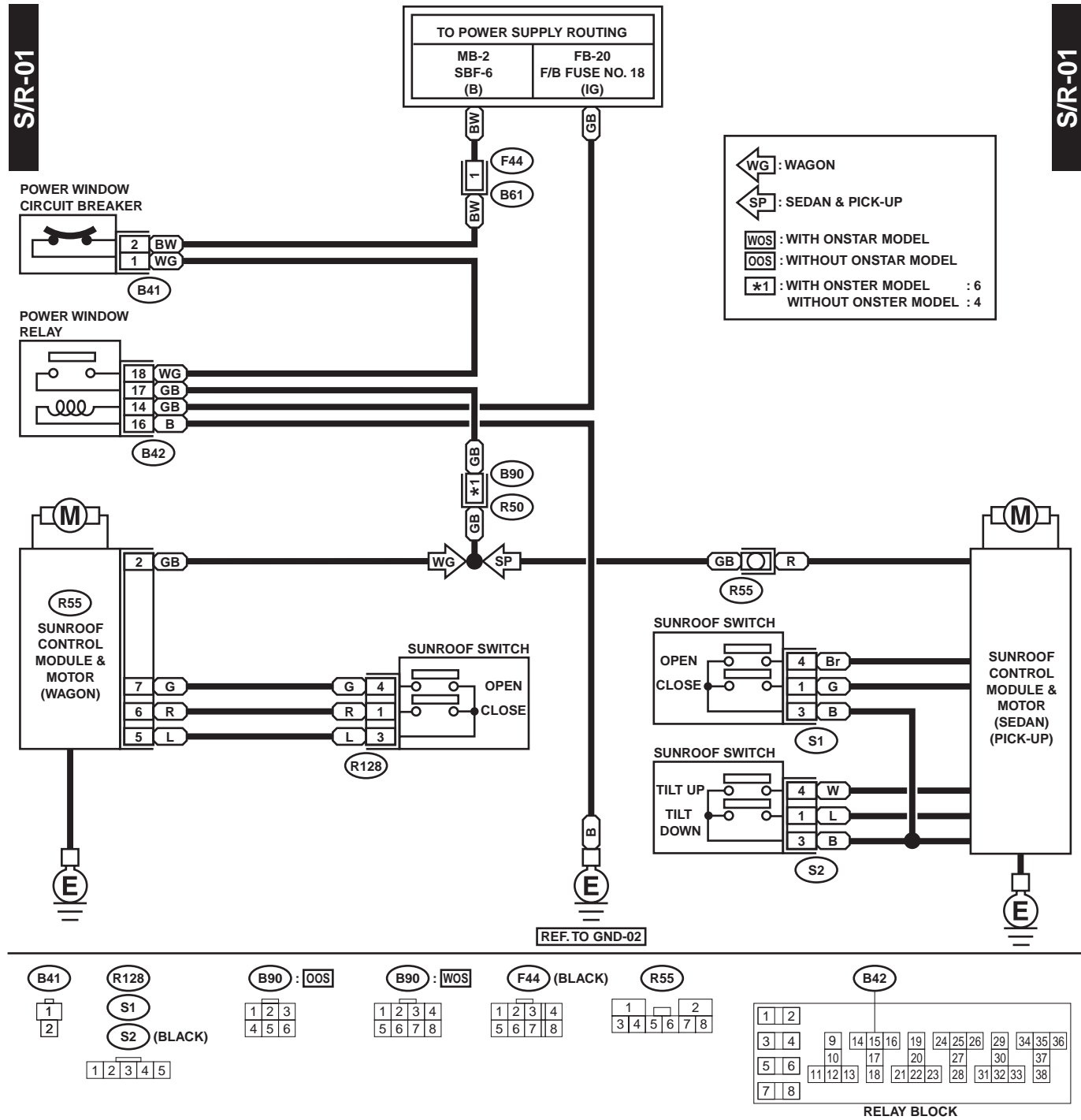


SUNROOF SYSTEM

WIRING SYSTEM

47.Sunroof System

A: SCHEMATIC



WI-00696

SUNROOF SYSTEM

WIRING SYSTEM

MEMO:

WI-207