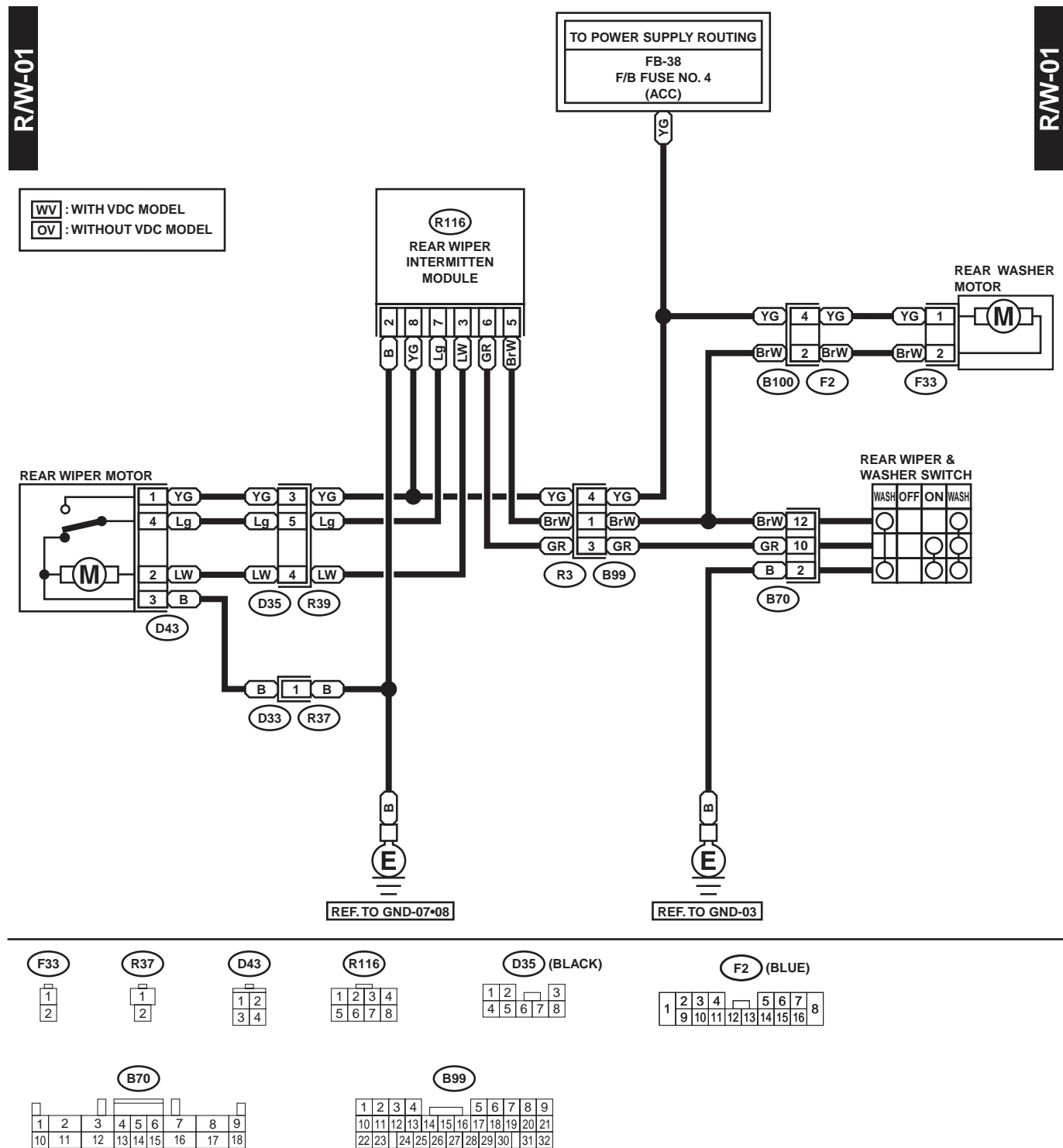


# WIPER AND WASHER SYSTEM (REAR)

WIRING SYSTEM

## 51. Wiper and Washer System (Rear)

### A: SCHEMATIC



WI-00704