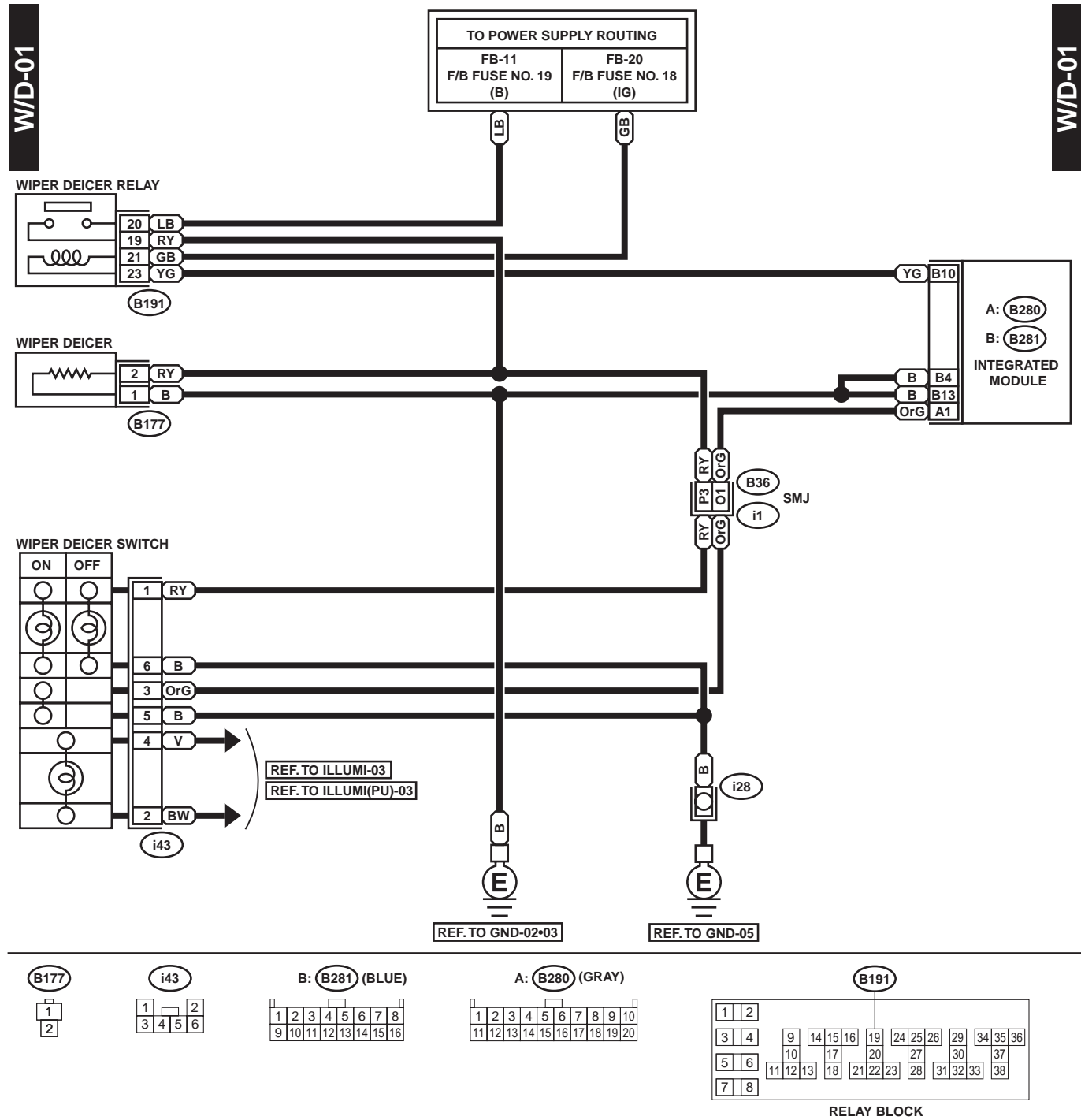


# WIPER DEICER SYSTEM

## WIRING SYSTEM

### 52.Wiper Deicer System

#### A: SCHEMATIC



WI-00705

WI-216