

SEAT BELT SYSTEM

SB

	Page
1. General Description	2
2. Inspection Locations After a Collision	7
3. Front Seat Belt	8
4. Rear Seat Belt.....	10



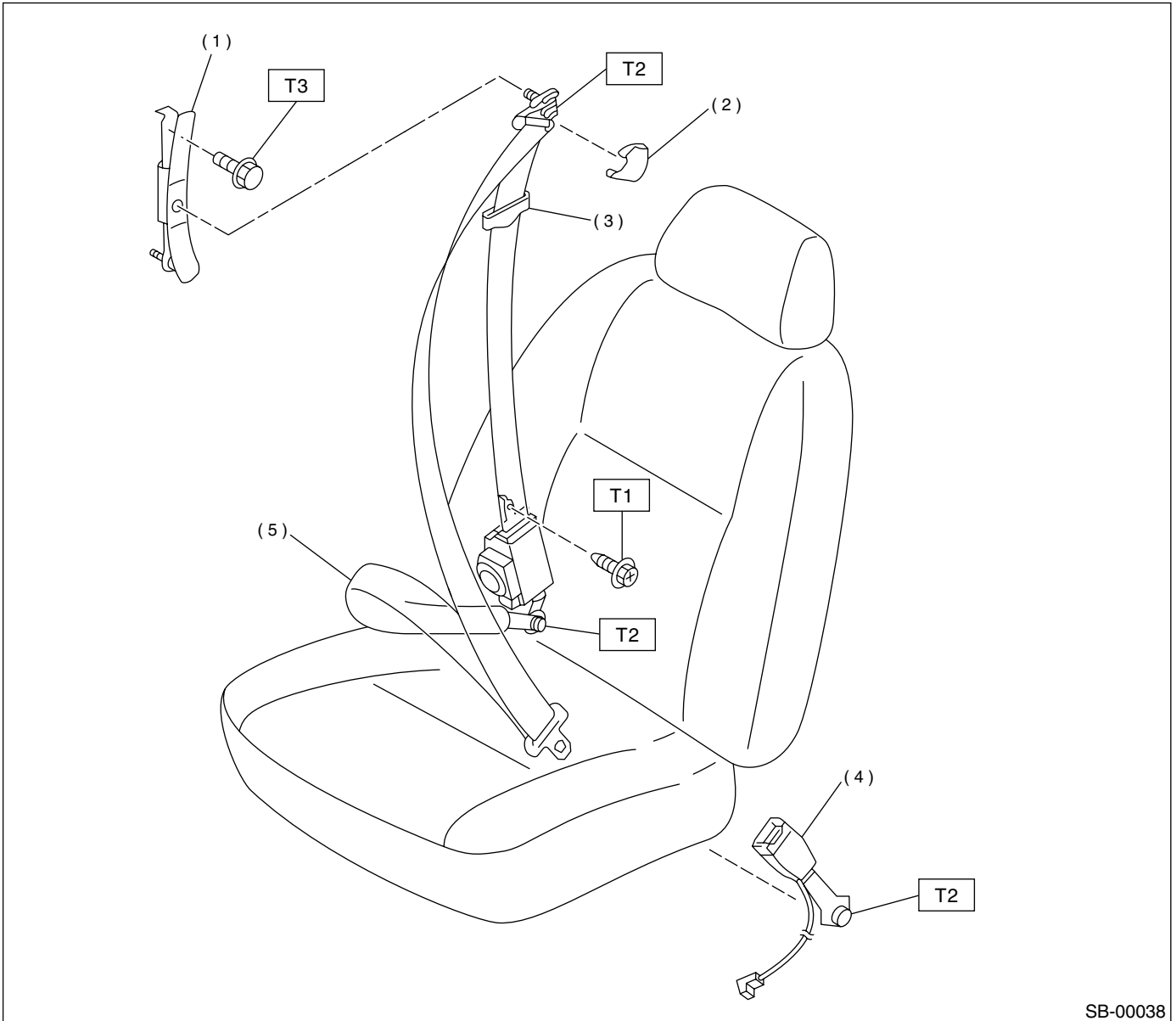
GENERAL DESCRIPTION

SEAT BELT SYSTEM

1. General Description

A: COMPONENT

1. FRONT SEAT BELT



SB-00038

(1) Adjuster anchor ASSY

(5) Outer belt ASSY

(2) Anchor cover

(3) Webbing guide

(4) Inner belt ASSY

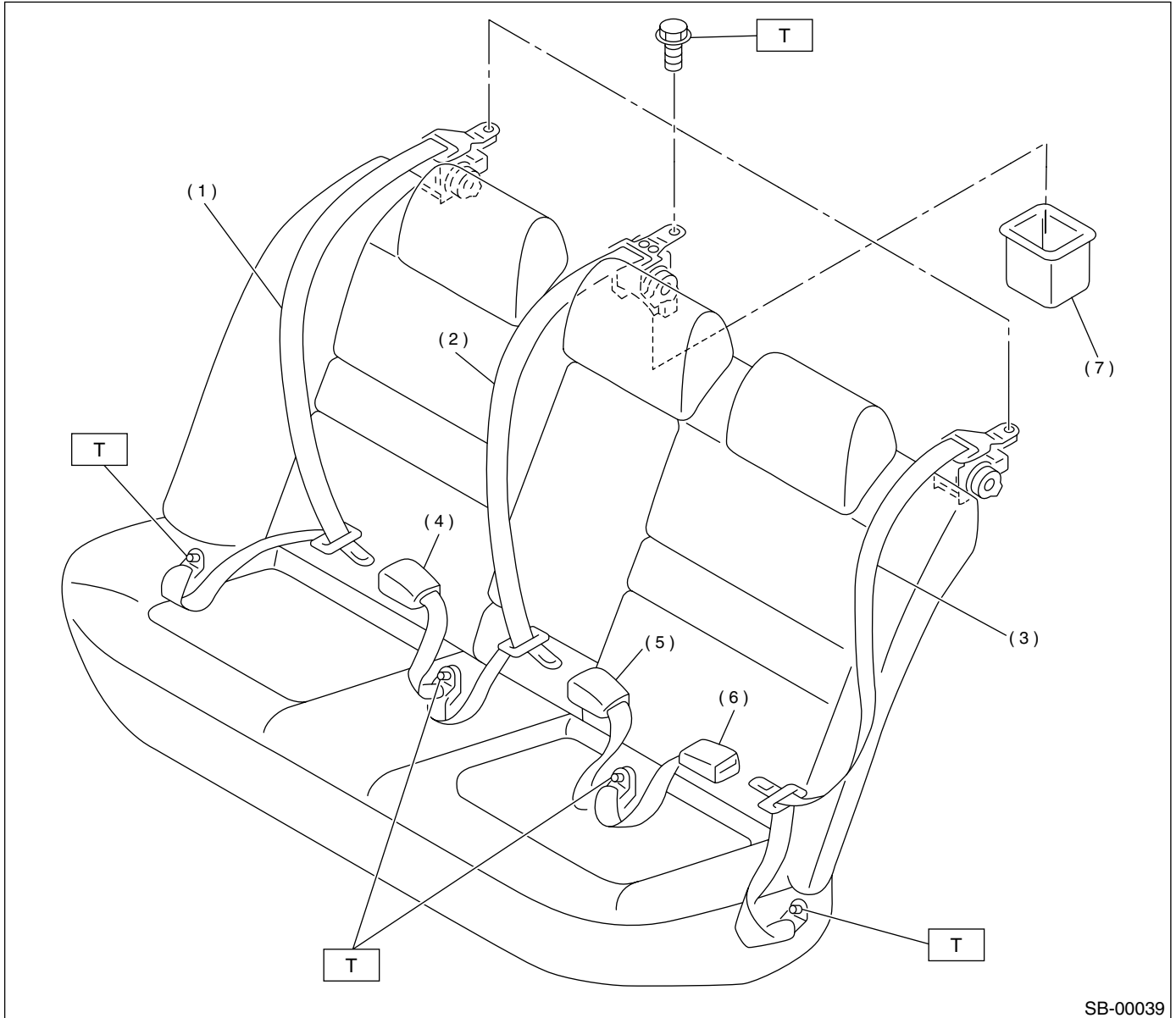
Tightening torque: N·m (kgf·m, ft·lb)

T1: 7.5 (0.76, 5.5)

T2: 30 (3.1, 22)

T3: 53 (5.4, 39)

2. REAR SEAT BELT (SEDAN BODY)



- | | |
|----------------------------|----------------------------|
| (1) Outer seat belt RH | (5) Inner seat belt CENTER |
| (2) Outer seat belt CENTER | (6) Inner seat belt LH |
| (3) Outer seat belt LH | (7) Case center ELR |
| (4) Inner seat belt RH | |

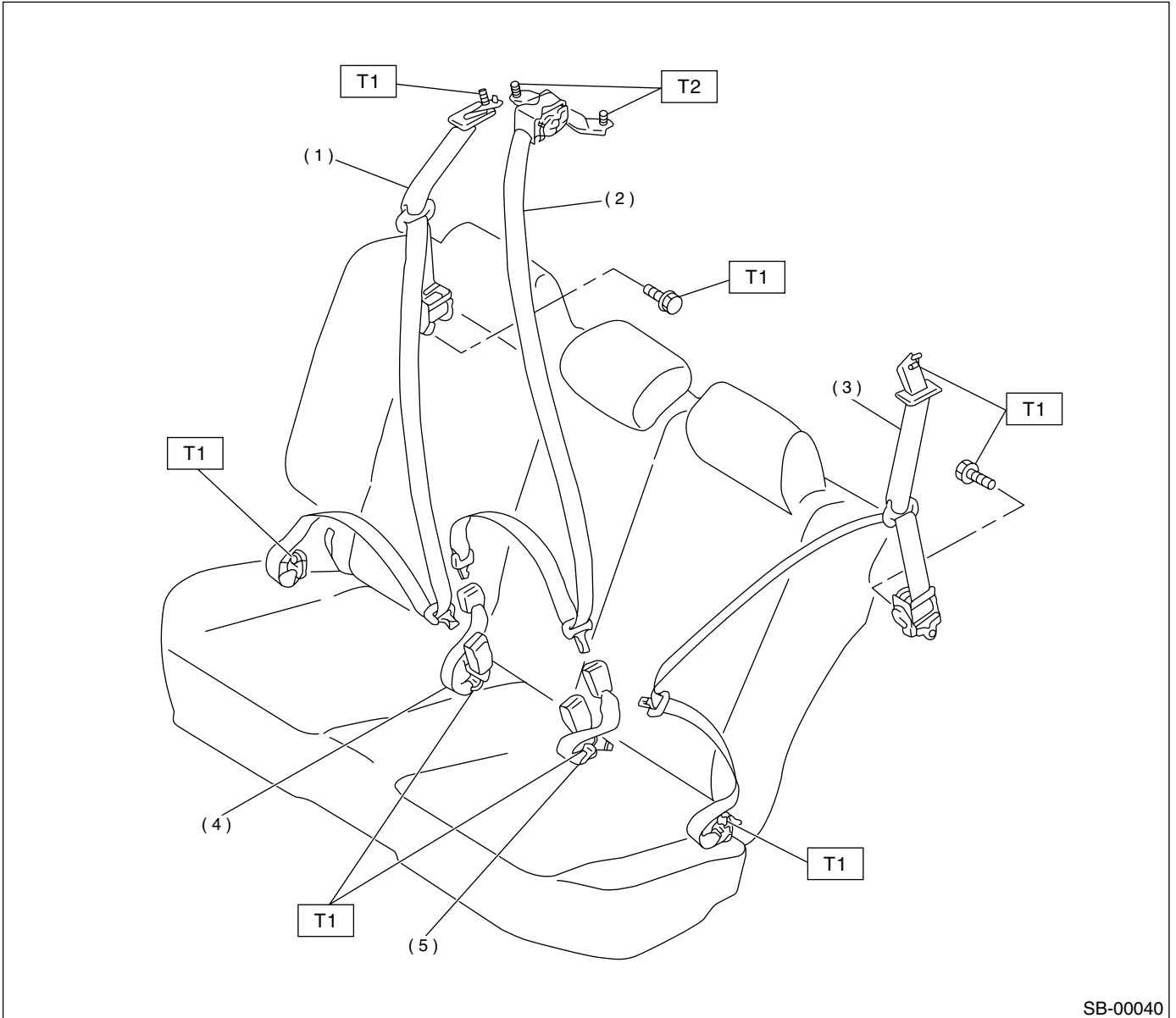
Tightening torque: N·m (kgf-m, ft-lb)

T: 30 (3.1, 22)

GENERAL DESCRIPTION

SEAT BELT SYSTEM

3. REAR SEAT BELT (WAGON BODY)



- (1) Outer seat belt RH
- (2) Outer seat belt CENTER
- (3) Outer seat belt LH
- (4) Inner seat belt RH

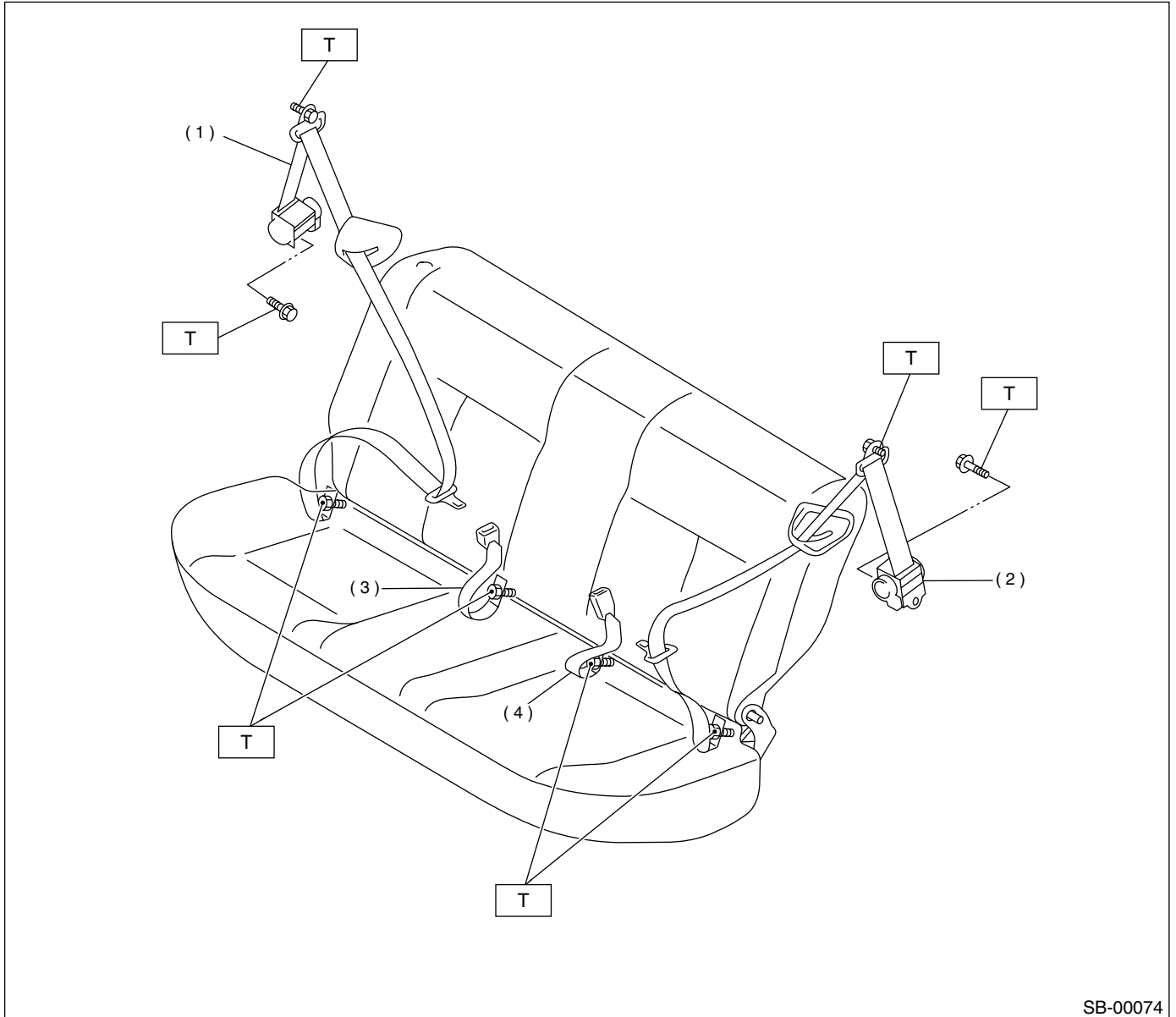
- (5) Inner seat belt LH

Tightening torque: N·m (kgf·m, ft·lb)

T1: 30 (3.1, 22)

T2: 53 (5.4, 39)

4. REAR SEAT BELT (PICKUP)



SB-00074

- (1) Outer seat belt RH
- (2) Outer seat belt LH

- (3) Inner seat belt RH
- (4) Inner seat belt LH

Tightening torque: N·m (kgf-m, ft-lb)

T: 30 (3.1, 22)

GENERAL DESCRIPTION

SEAT BELT SYSTEM

B: CAUTION

- Before starting, turn the ignition switch OFF, disconnect the battery ground cable and wait for 20 seconds or more.
- The pretension system has a backup power source. The pretensioner might deploy if you do not wait for 20 seconds or more before starting
- Do not drop or apply any impact to the pretensioner.
- If oil, grease, or water gets on the pretensioner, wipe it off immediately with a dry cloth.
- Do not expose the pretensioner to high temperature or flame.
- Do not allow current to flow through or voltage to reach the pretensioner. Do not use a circuit tester to check resistance of the pretensioner.
- Do not disassemble or attempt to repair the pretensioner. If it is dented, cracked, or deformed, replace it with a new one.
- Do not use the airbag or pretensioner parts from other vehicles. Always replace parts with new parts
- When handling a seat belt with a deployed pretensioner, wear gloves and goggles. Wash your hands afterwards.
- Do not re-use a seat belt with a deployed pretensioner again.
- If the material gets in your eyes or on your skin during deployment, wash it away with clean water, and then consult a doctor.

2. Inspection Locations After a Collision

A: INSPECTION

Check for the following, and then replace with new parts if necessary.

- Center pillar lower garnish is discolored or cracked.
- Wire harness and/or connector is damaged.

FRONT SEAT BELT

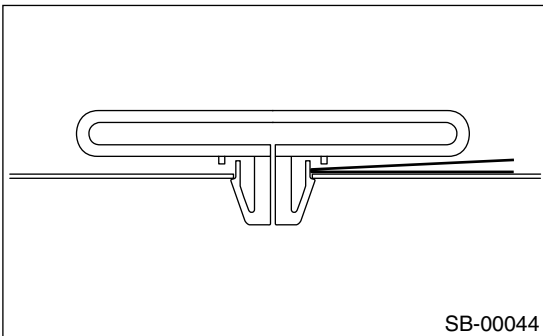
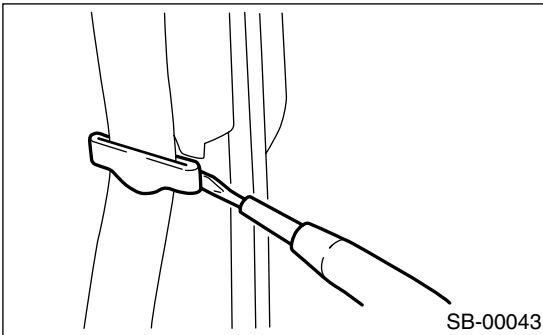
SEAT BELT SYSTEM

3. Front Seat Belt

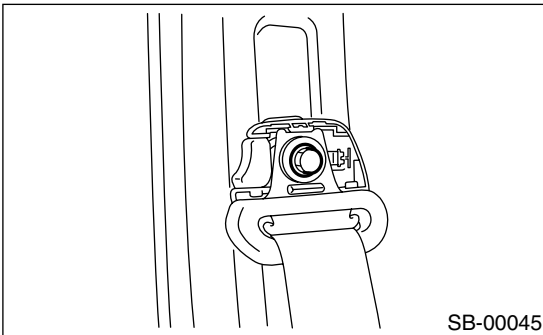
A: REMOVAL

1. OUTER BELT (FRONT)

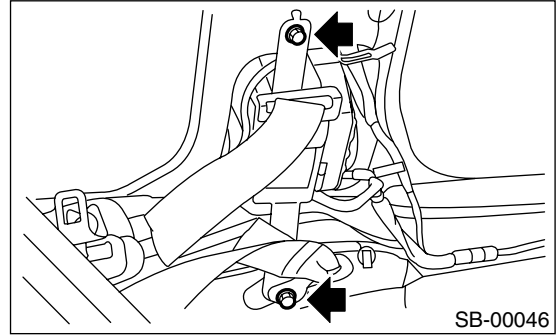
- 1) Fold backrest all the way forward, and then move front seat all the way forward.
- 2) Turn ignition switch OFF, disconnect ground cable from battery, and wait for more than 20 seconds before starting work.
- 3) Remove center pillar lower trim. <Ref. to EI-51, REMOVAL, Lower Inner Trim.>
- 4) Remove webbing guide.



- 5) Remove anchor cover. Loosen shoulder anchor bolt, and then detach shoulder anchor from center pillar.



- 6) Turn over the floor mat to remove bolt.



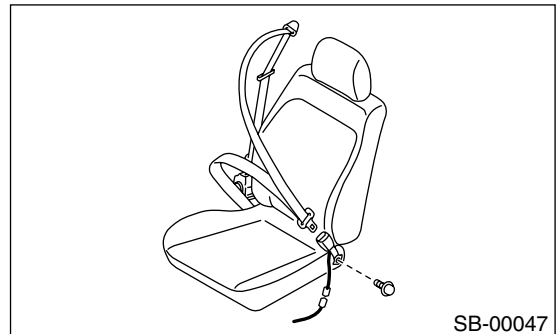
- 7) Disconnect yellow connector of pretensioner harness, and remove outer belt (front).

CAUTION:

- Do not drop or apply any impact to pretensioner.
- Pretensioner and bracket should be treated as an assembly. Do not attempt to disassemble it.

2. INNER BELT (FRONT)

- 1) Disconnect connector.
- 2) Remove anchor bolt, and then detach inner belt.



B: INSTALLATION**1. OUTER BELT (FRONT)**

Install in the reverse order of removal.

CAUTION:

- The parts on left and right are not identical. Before installation, make sure that the correct part is used.
- Be careful not to twist belts during installation.

2. INNER BELT (FRONT)

Install in the reverse order of removal.

Tightening torque:

Refer to COMPONENT in General Description, <Ref. to SB-2, FRONT SEAT BELT, COMPONENT, General Description.>.

C: INSPECTION**1. OUTER BELT (FRONT)**

Check for the following, and replace with new parts if necessary.

- Pretensioner is cracked or deformed.
- Seat belt is slackened, bent, or frayed. Seat belt is abnormally wound or extended.

2. INNER BELT (FRONT)

Check for the following, and replace with new parts if necessary.

- Inner belt is deformed or damaged.
- Seat belt buckle is engaged improperly.

REAR SEAT BELT

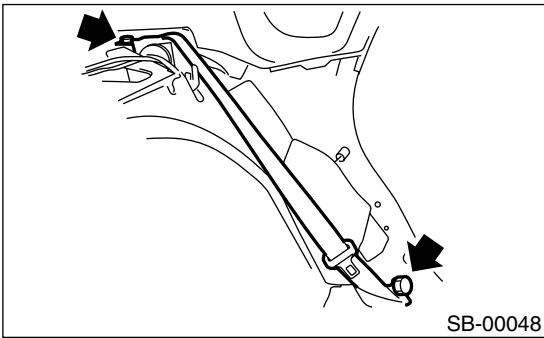
SEAT BELT SYSTEM

4. Rear Seat Belt

A: REMOVAL

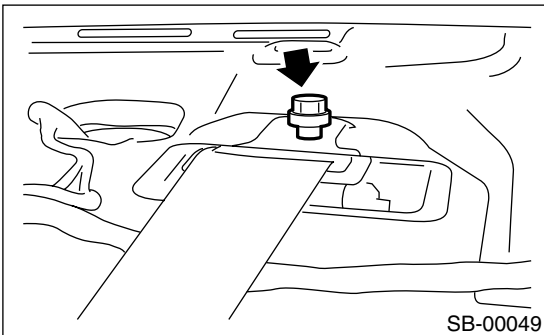
1. OUTER BELT SIDE (SEDAN BODY)

- 1) Remove rear shelf trim. <Ref. to EI-58, REMOVAL, Rear Shelf Trim.>
- 2) Remove side sill rear upper cover. <Ref. to EI-51, REMOVAL, Lower Inner Trim.>
- 3) Remove bolts, then detach outer belt side.



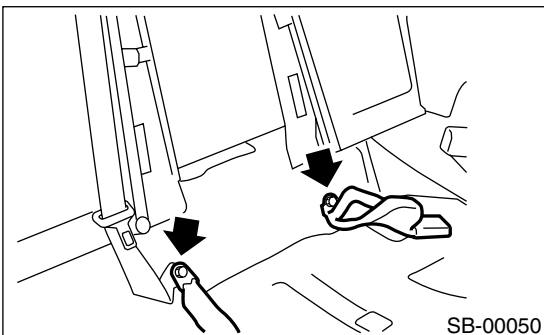
2. OUTER BELT CENTER (SEDAN BODY)

- 1) Remove rear shelf trim. <Ref. to EI-58, REMOVAL, Rear Shelf Trim.>
- 2) Remove bolt, and then detach outer belt center.



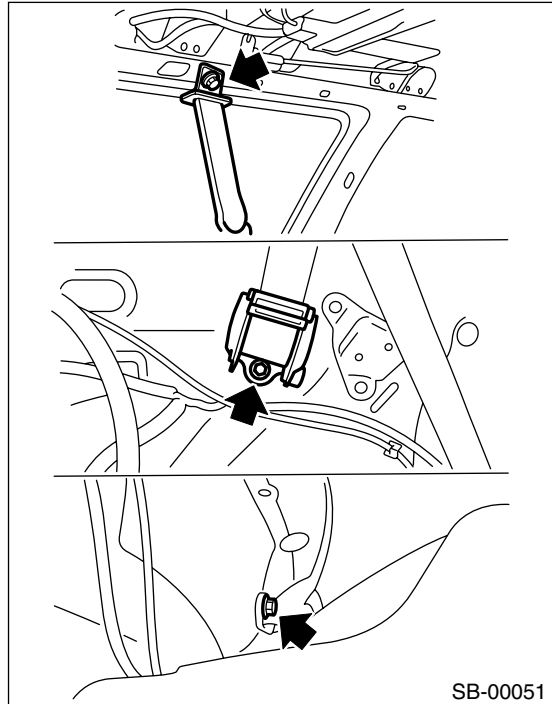
3. INNER BELT (SEDAN BODY)

- 1) Remove the rear cushion. <Ref. to SE-18, REMOVAL, Rear Seat.>
- 2) Remove bolts, and then detach inner belt.



4. OUTER BELT SIDE (WAGON BODY)

- 1) Remove rear quarter trim. <Ref. to EI-52, WAGON, REMOVAL, Rear Quarter Trim.>
- 2) Remove rear quarter upper trim. <Ref. to EI-50, REMOVAL, Upper Inner Trim.>
- 3) Remove bolt and nut, and then detach outer belt side.

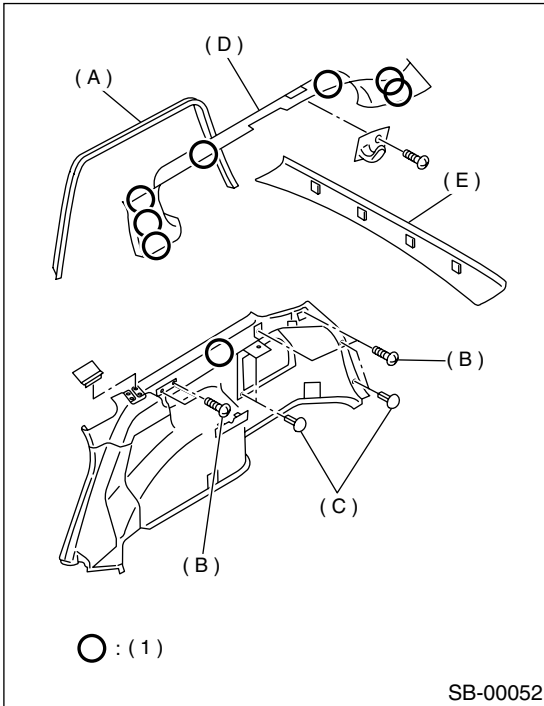


5. OUTER BELT CENTER (WAGON BODY)

CAUTION:

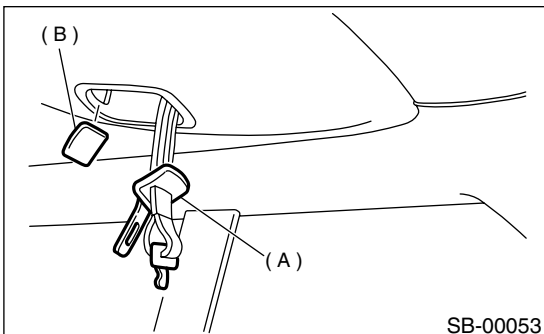
When removing clip, use great care not to damage the roof trim.

- 1) Remove luggage room light. <Ref. to LI-30, REMOVAL, Luggage Room Light.>
- 2) Remove rear mole (A) of right side.
- 3) Remove screws (B) and clips (C) of rear quarter lower trim shown in the figure.
- 4) Remove rear quarter upper trim (D) of right side.
- 5) Remove rear rail trim (E).



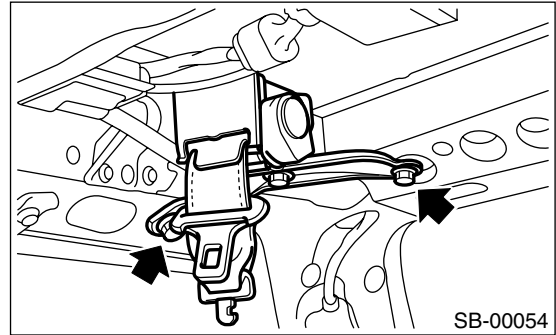
(1) Hook pawl

6) Remove cover (B) while detaching snap lock carefully. Put the outer belt center tongue (A) out to the other side of the trim through the hole.



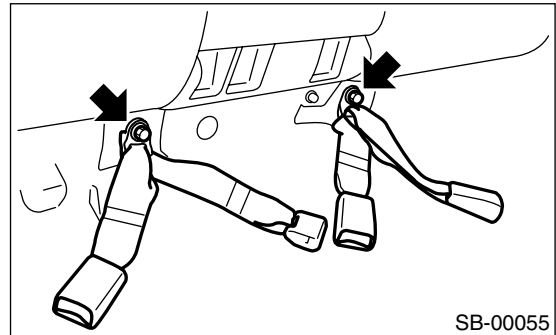
7) Remove clips and hang down rear end of roof trim.

8) Disconnect harness and connector, and then remove outer belt center assembly.



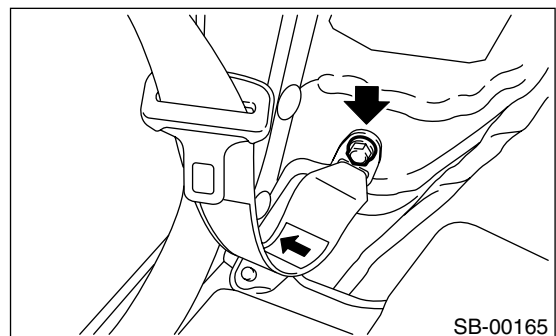
6. INNER BELT (WAGON BODY)

- 1) Raise the rear cushion.
- 2) Remove bolt, and then detach inner belt.



7. OUTER BELT SIDE (PICKUP BODY)

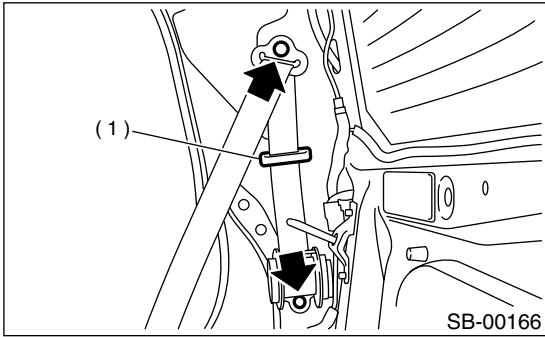
- 1) Remove rear pillar trim. <Ref. to EI-69, REMOVAL, Rear Pillar Trim.>
- 2) Remove lower anchor bolt.



REAR SEAT BELT

SEAT BELT SYSTEM

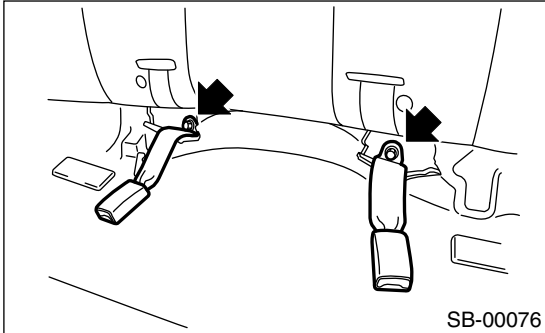
3) Remove webbing guide bolts, and then detach outer belt side.



(1) Webbing guide

8. INNER BELT (PICKUP BODY)

- 1) Pull up rear cushion.
- 2) Remove bolts, and then detach inner belt.



B: INSTALLATION

1. OUTER BELT SIDE (SEDAN BODY)

Install in the reverse order of removal.

CAUTION:

- During installation, make sure that seat belts are not twisted.
- After installation, make sure that seat belts can be smoothly extended and wound.

2. OUTER BELT CENTER (SEDAN BODY)

Install in the reverse order of removal.

CAUTION:

- During installation, make sure that seat belts are not twisted.
- After installation, make sure that seat belts can be smoothly extended and wound.

3. INNER BELT (SEDAN BODY)

Install in the reverse order of removal.

CAUTION:

During installation, make sure that seat belts are not twisted.

4. OUTER BELT SIDE (WAGON BODY)

Install in the reverse order of removal.

CAUTION:

- During installation, make sure that seat belts are not twisted.
- After installation, make sure that seat belts can be smoothly extended and wound.

5. OUTER BELT CENTER (WAGON BODY)

Install in the reverse order of removal.

CAUTION:

- During installation, make sure that seat belts are not twisted.
- After installation, make sure that seat belts are smoothly extended and wound.

6. INNER BELT (WAGON BODY)

Install in the reverse order of removal.

CAUTION:

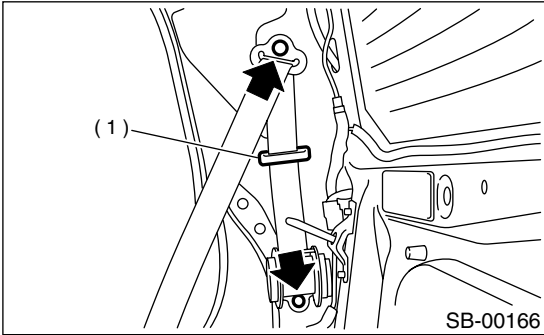
During installation, make sure that seat belts are not twisted.

Tightening torque:

Refer to **COMPONENT** in *General Description*. <Ref. to SB-3, REAR SEAT BELT (SEDAN BODY), **COMPONENT**, *General Description*.> or <Ref. to SB-4, REAR SEAT BELT (WAGON BODY), **COMPONENT**, *General Description*.>

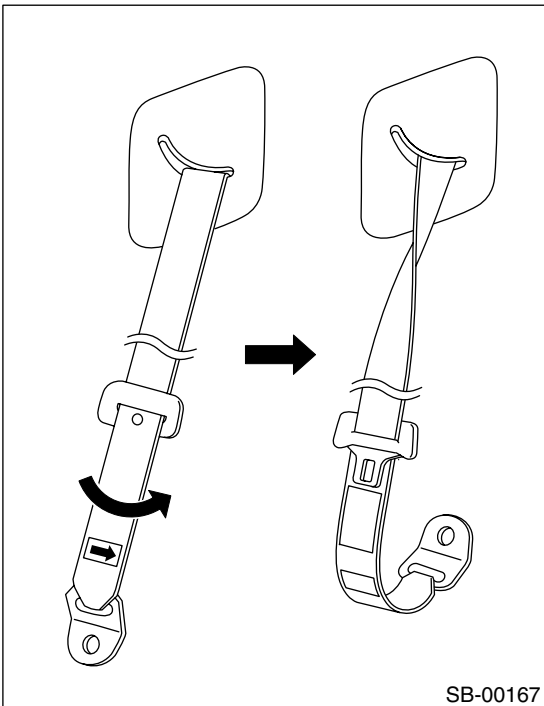
7. OUTER BELT SIDE (PICKUP BODY)

1) Install webbing guide and bolts.

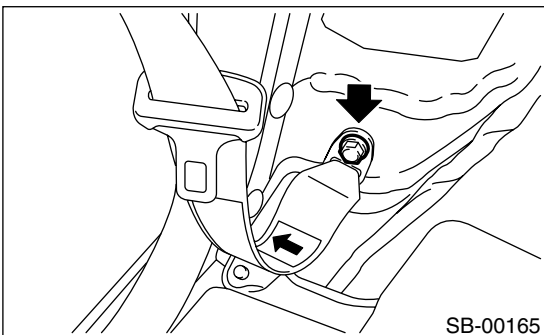


(1) Webbing guide

2) Twist seat belt in the direction indicated by the arrow on the seat belt label.



3) Install lower anchor bolt.



CAUTION:
After installation, make sure that seat belts are smoothly extended and wound.

8. INNER BELT (PICKUP BODY)

Install in the reverse order of removal.

CAUTION:
During installation, make sure that seat belts are not twisted.

C: INSPECTION

1. OUTER BELT SIDE (SEDAN BODY)

Check for the following, and replace with new parts if necessary.

- Seat belt is slackened, bent, or frayed. Seat belt is abnormally wound or extended.

2. OUTER BELT CENTER (SEDAN BODY)

Check for the following, and replace with new parts if necessary.

- Seat belt is slackened, bent, or frayed. Seat belt is abnormally wound or extended.

3. INNER BELT (SEDAN BODY)

Check for the following, and replace with new parts if necessary.

- Inner belt is deformed or damaged.
- Seat belt buckle is engaged improperly.

4. OUTER BELT SIDE (WAGON BODY)

Check for the following, and replace with new parts if necessary.

- Seat belt is slackened, bent, or frayed. Seat belt is abnormally wound or extended.

5. OUTER BELT CENTER (WAGON BODY)

Check for the following, and replace with new parts if necessary.

- Seat belt is slackened, bent, or frayed. Seat belt is abnormally wound or extended.

6. INNER BELT (WAGON BODY)

Check for the following, and replace with new parts if necessary.

- Inner belt is deformed or damaged.
- Seat belt buckle is engaged improperly.

7. OUTER BELT SIDE (PICKUP BODY)

Check for the following, and replace with new parts if necessary.

- Outer belt is deformed or damaged.
- Seat belt buckle is engaged improperly.

8. INNER BELT (PICKUP BODY)

Check for the following, and replace with new parts if necessary.

- Inner belt is deformed or damaged.
- Seat belt buckle is engaged improperly.

REAR SEAT BELT

SEAT BELT SYSTEM

MEMO: