

# Identification

## IDENTIFICATION

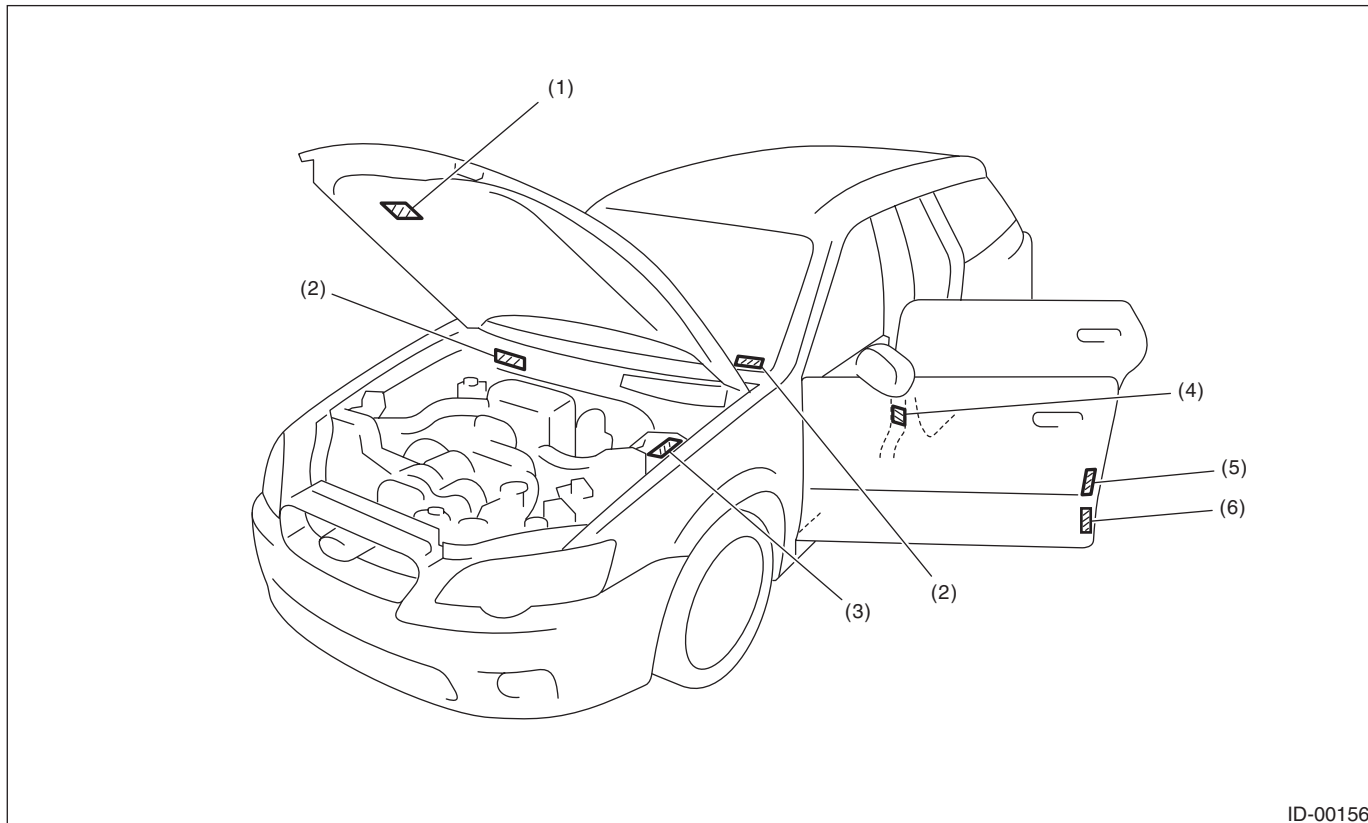
### 1. Identification

#### A: IDENTIFICATION

##### 1. IDENTIFICATION NUMBER & LABEL LOCATIONS

The V.I.N. (Vehicle Identification Numbers) is used to classify the vehicle.

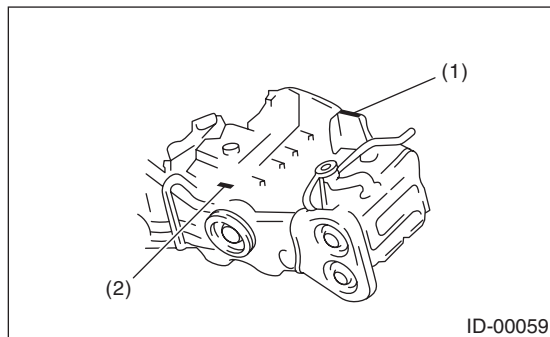
##### • POSITIONING OF THE PLATE LABEL FOR IDENTIFICATION



ID-00156

- |  |   |   |
|--|---|---|
| (1) Emission control label                 | (3) Model number plate<br>(Applied models before 30th August, 2005) | (5) Emission control label FMVSS label (U.S. model)<br>CMVSS label (Canada model)     |
| (2) Vehicle identification number (V.I.N.) | (4) Tire inflation pressure label (Driver side)                     | (6) Model number label<br>(Applied models after 31th August, 2005)<br>(Driver's side) |

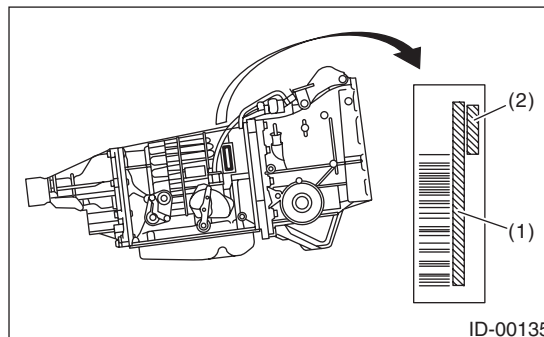
##### • ENGINE



ID-00059

- (1) Engine serial number (Punch mark)  
(2) Engine type (Crankcase upper side)

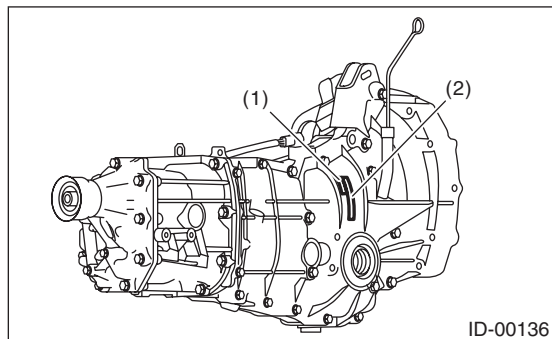
##### • AUTOMATIC TRANSMISSION



ID-00135

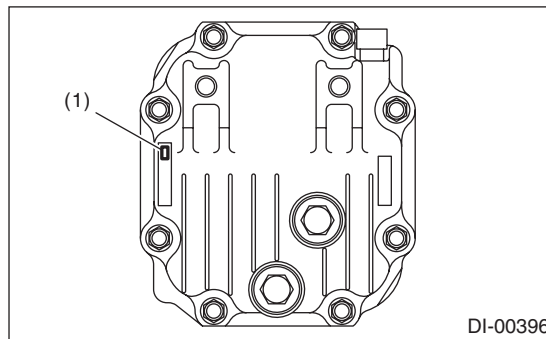
- (1) AT type label  
(2) Transmission serial number label

## • MANUAL TRANSMISSION



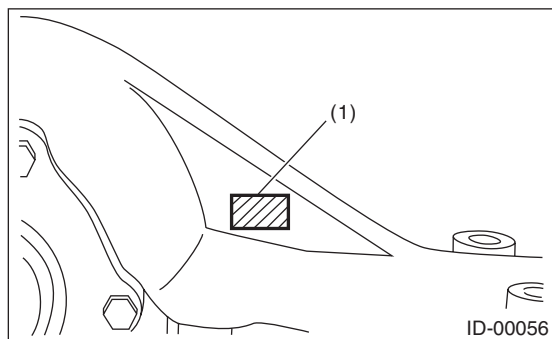
- (1) Transmission serial No.
- (2) MT type label

## VA1-TYPE



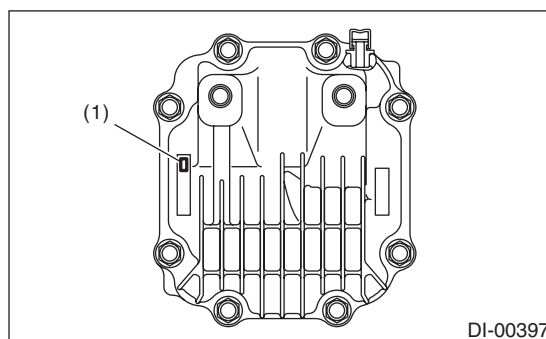
- (1) Type (label)

## • REAR DIFFERENTIAL T-TYPE



- (1) Type (white paint)

## VA2-TYPE



- (1) Type (label)

## • Model number plate (Applied models before 30th August, 2005)

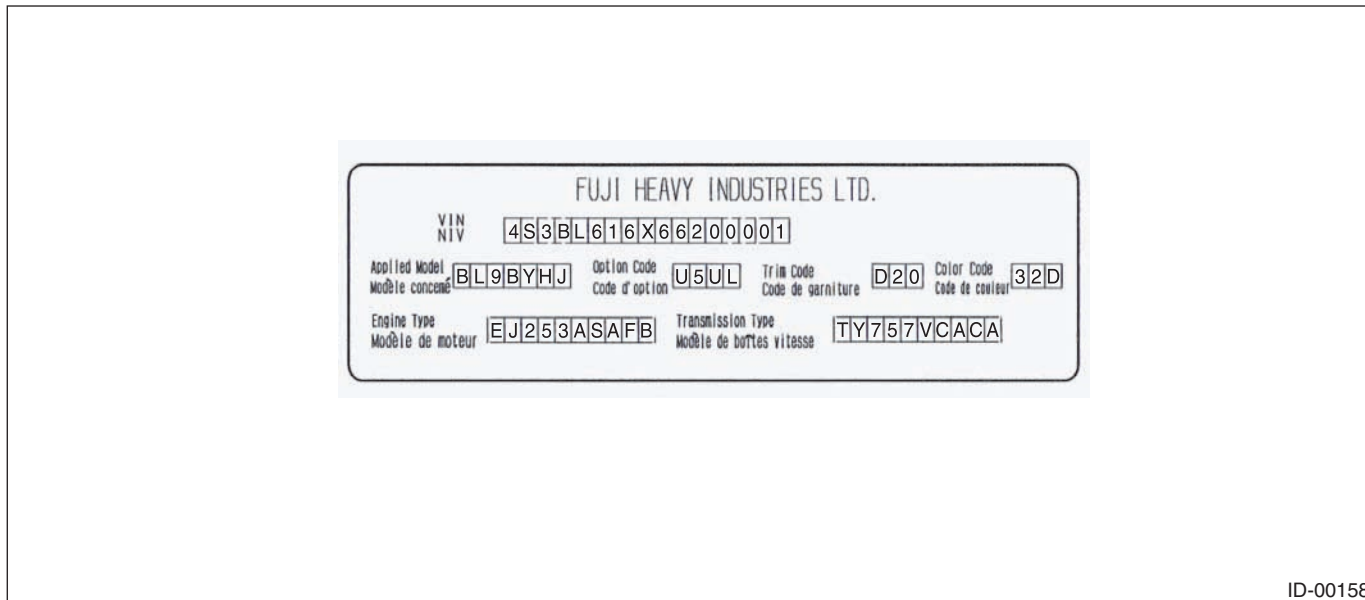
<b>FUJI HEAVY INDUSTRIES LTD.</b>			
型式			
車台番号 VIN	4S3BL616X66200001		
◎ アプライドモデル Applied model	BL9BYHJ	オプションコード Option CODE	◎ U5UL
トリムコード TRIM CODE	D20	エンジン型式 Engine type	EJ253ASAFB
外装色コード COLOR CODE	32D	ミッション型式 Transmission type	TY757VCACA

ID-00139

# Identification

## IDENTIFICATION

- Model number label (Applied models after 31th August, 2005)



## 2. MEANING OF V.I.N.

The meaning of the V.I.N. is as follows:

**4S3BL616X66200001**

The starting and ending brackets ( [ ] ) are stop marks.

Digits	Code	Meaning	Details
1 — 3	4S3	Manufacturer body area	4S3: Except for OUTBACK model 4S4: OUTBACK model
4	B	Car line	LEGACY
5	L	Body type	L: Sedan P: Wagon
6	6	Displacement	6: 2.5 L AWD 8: 3.0 L AWD
7	1	Grade	1: i 2: i Limited 4: R 5: R Limited 6: R L.L. Bean 7: GT Limited or GT spec. B 8: GT
8	6	Restraint or GVWR Class	6: Manual belts, Dual airbag, Side airbag (Except for OUTBACK model) C: Class C (GVWR 4001 — 5000 lb) (OUTBACK model)
9	X	Check digit	0 — 9&X
10	6	Model year	6: 2006MY 7: 2007MY
11	6	Transmission type	4: Full-time AWD 5AT 6: Full-time AWD 5MT 7: Full-time AWD 4AT
12 — 17	200001	Serial number	From 200001: Sedan From 300001: Wagon

### 3. MODEL NUMBER PLATE

The model number plate indicates the type, V.I.N. <Ref. to ID-4, MEANING OF V.I.N., IDENTIFICATION, Identification.>, applied model, option code, trim code, engine type, transmission type and the exterior color code. This information is helpful when placing orders for parts.

• **BL9BYHJ**

Digits	Code	Meaning	Details
1	B	Series	LEGACY
2	L	Body type	L: Sedan P: Wagon
3	9	Engine displacement Drive system Suspension system	9: 2.5 L AWD E: 3.0 L AWD
4	B	Model year	B: 2006MY
5	Y	Destination	Y: U.S, Canada
6	H	Grade	8: 2.5 GT Limited (ivory interior) 9: OUTBACK 2.5 XT Limited (ivory interior) A: OUTBACK 2.5 XT C: 2.5 GT Limited or 2.5 GT spec. B (black interior) D: OUTBACK 2.5 XT Limited (black interior) E: 2.5 GT H: 2.5 i K: 2.5 i Limited S: OUTBACK 2.5 i T: OUTBACK 2.5 i Limited U: OUTBACK 3.0 R V: OUTBACK 3.0 R Limited X: OUTBACK 3.0 R L.L. Bean
7	J	Transmission, fuel feed system	J: SOHC MFI 5MT D: DOHC MFI Turbo 5MT L: SOHC MFI 4AT TIP V: DOHC MFI Turbo 5AT TIP U: DOHC MFI 5AT TIP

The engine and transmission type are as follows.

• **ENGINE**

**EJ253ASAFB**

Digits	Code	Meaning	Details
1 and 2	EJ	Engine type	EJ: 4 cylinders EZ: 6 cylinders
3 and 4	25	Displacement	25: 2.5 L 30: 3.0 L
5	3	Fuel feed system	3: MFI non-turbo (SOHC) D: MFI non-turbo (DOHC, H6) 5: MFI turbo
6	A	Emission control	A: For states not using California emission standards B: For USA C: For states using California emission standards
7	S	Mounted transmission	L: 5AT S: 5MT (Flexible type flywheel) T: 5MT (Dual mass type flywheel) V: 4AT (H4), 5AT (H6)
8 — 10	AFB	Detailed specifications	Used when ordering parts. See the parts catalog for details.

# Identification

## IDENTIFICATION

### • Transmission

#### TY757VCACA

Digits	Code	Meaning	Details
1	T	Transmission	T: Transmission
2	Y	Transmission type	Y: Full-time AWD MT center differential B: Full-time AWD AT center differential Z: Full-time AWD AT MPT
3 and 4	75	Identification	75: 5MT 1B: 4AT 5C: 5AT
5	7	Series	LEGACY, OUTBACK
6	V	Transmission specifications	C: Full-time AWD VTD 5AT L: Full-time AWD MPT 4AT V: Full-time AWD 5MT single range with viscous coupling center differential
7	C	Mounted vehicle	C: 2.5 L SOHC M: 3.0 L DOHC W: 2.5 L DOHC Turbo
8 — 10	ACA	Detailed specifications	Used when ordering parts. See the parts catalog for details.

### • REAR DIFFERENTIAL

#### XJ

Code	Reduction gear ratio	LSD
XJ	4.111	None
T1	3.900	None
JP	4.111	Viscous
XU	3.272	Viscous
CF	4.444	Viscous
XW	3.583	Viscous
JE	4.111	Viscous
CD	4.444	Viscous

### • Option

#### U5UL

Digits	Code	Meaning	Details
1 — 2	U5	Destination	U5: U.S. For states using California emission standards U6: U.S. For states not using California emission standards U4: U.S. For USA U0: Canada
3	U	Option equipment	E: Vehicle dynamics control (VDC), Cruise control, Power pack U: Cruise control 3: Cruise control, Power pack
4	L	Option equipment	C: A/C, Side airbag, Curtain airbag, Grade up package L: A/C, Side airbag, Curtain airbag W: A/C, Side airbag, Curtain airbag, Sunroof

# RECOMMENDED MATERIALS

# *RM*

---

	Page
1. Recommended Materials .....	2

