

13. Transmission Gear Oil

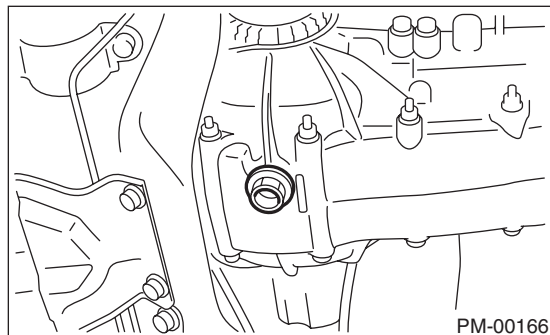
A: REPLACEMENT

1. MANUAL TRANSMISSION

1) Drain the gear oil by removing drain plug.

NOTE:

- Before starting work, cool off the transmission gear oil well.
- If transmission gear oil adheres to the exhaust pipe, wipe it off completely.



2) Replace the gasket with new part, and then tighten the drain plug to specified torque.

Tightening torque:

69 N·m (7.0 kgf·m, 50.6 ft·lb)

3) Fill the transmission gear oil through the oil level gauge hole up to the upper point of level gauge.

Recommended gear oil:

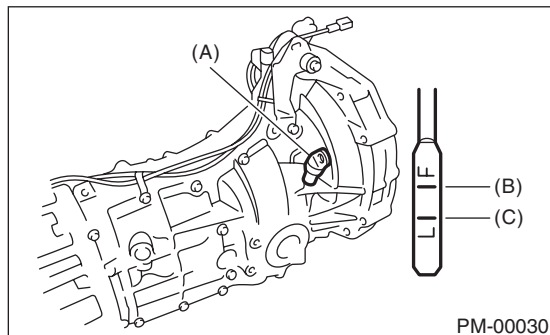
Refer to "RM" section. <Ref. to RM-2, LUBRICANTS, RECOMMENDED MATERIALS, Recommended Materials.>

NOTE:

Each oil manufacturer has its base oil and additives. Thus, do not mix two or more brands.

Gear oil capacity:

3.5 ℓ (3.7 US qt, 3.1 Imp qt)



- (A) Oil level gauge
 (B) Upper level
 (C) Lower level