

Automatic Transmission Fluid

PERIODIC MAINTENANCE SERVICES

14. Automatic Transmission Fluid

A: INSPECTION

CAUTION:

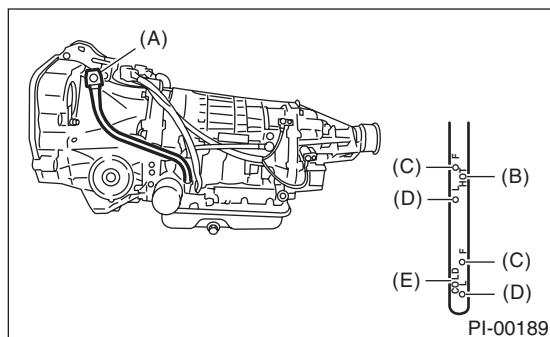
The level of ATF varies with fluid temperature. Pay attention to the fluid temperature when checking ATF level.

1) Raise the ATF temperature by driving a distance of 5 to 10 km (3 to 6 miles). Otherwise, idle the engine to raise ATF temperature to 70 — 80°C (158 — 176°F) on Subaru Select Monitor. <Ref. to 4AT(diag)-15, READ CURRENT DATA, OPERATION, Subaru Select Monitor.>

2) Make sure the vehicle is level.

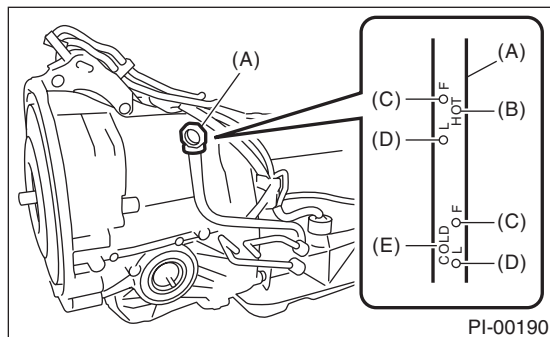
3) After selecting all positions (P, R, N, D), shift the select lever in “P” range. Idle the engine for 1 — 2 minutes, and measure the ATF level.

- 4AT model



- (A) Level gauge
- (B) ATF level range at “HOT” [70 — 80°C (158 — 176°F)]
- (C) Upper level
- (D) Lower level
- (E) ATF level range at “COLD” [20 — 30°C (68 — 86°F)]

- 5AT model



- (A) Level gauge
- (B) ATF level range at “HOT” [70 — 80°C (158 — 176°F)]
- (C) Upper level
- (D) Lower level
- (E) ATF level range at “COLD” [20 — 30°C (68 — 86°F)]

4) Make sure that ATF level is above the center of upper and lower marks at “HOT” side.

5) If the ATF level is below the center between upper and lower marks, add the recommended ATF until the fluid level is found above the center between upper and lower marks.

CAUTION:

- Use care not to exceed the upper limit level.
- Adding ATF to the upper limit mark on “HOT” side when the ATF temperature is below 70°C (158°F) will overfilling of ATF, causing a transmission failure.

6) Check ATF level after raising ATF temperature to 70 — 80°C (158 — 176°F) by running the vehicle or by idling the engine again.

7) Check the ATF for leaks.

Check for leaks in the transmission. If there are leaks, it is necessary to repair or replace gasket, oil seals, plugs or other parts.

B: REPLACEMENT

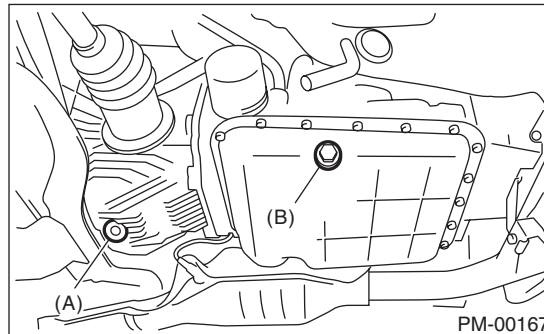
1. AUTOMATIC TRANSMISSION FLUID

1) Drain the ATF by removing drain plug.

NOTE:

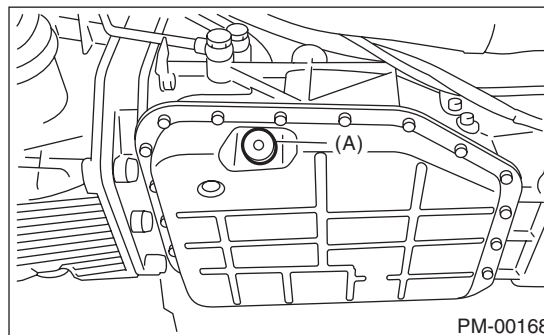
Before starting work, cool off the ATF well.

- 4AT model



- (A) Front differential gear oil drain plug
- (B) ATF drain plug

- 5AT model



- (A) ATF drain plug

2) Replace the gasket with new part, and then tighten the drain plug to specified torque.

Tightening torque:

4AT model

25 N·m (2.5 kgf-m, 18.1 ft-lb)

5AT model

20 N·m (2.0 kgf-m, 4.5 ft-lb)

3) Pour in the ATF using the oil charge pipe.

Recommended ATF:

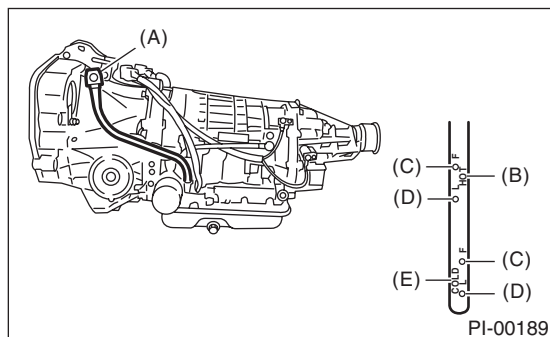
Refer to “RM” section. <Ref. to RM-3, FLUID, RECOMMENDED MATERIALS, Recommended Materials.>

Capacity:

Fill the same amount of ATF drained.

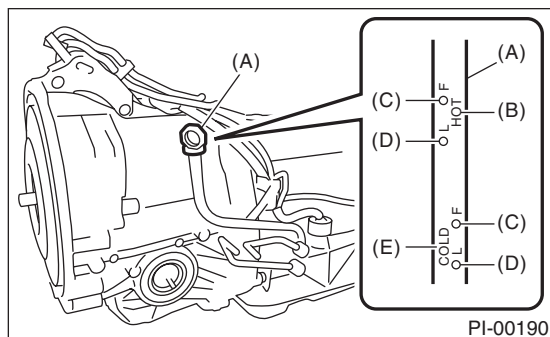
4) Check the ATF level. <Ref. to PM-28, INSPECTION, Automatic Transmission Fluid.>

- 4AT model



- (A) Level gauge
- (B) ATF level range at “HOT” [70 — 80°C (158 — 176°F)]
- (C) Upper level
- (D) Lower level
- (E) ATF level range at “COLD” [20 — 30°C (68 — 86°F)]

- 5AT model



- (A) Level gauge
- (B) ATF level range at “HOT” [70 — 80°C (158 — 176°F)]
- (C) Upper level
- (D) Lower level
- (E) ATF level range at “COLD” [20 — 30°C (68 — 86°F)]

2. ATF FILTER

NOTE:

Basically, the ATF filter is maintenance free, but when it is rusted or physically damaged or leaking, the ATF filter needs to be replaced.

For the replacement procedure of ATF filter, refer to “ATF FILTER”.

- 4AT model
<Ref. to 4AT-61, ATF Filter.>
- 5AT model
<Ref. to 5AT-55, ATF Filter.>