

Electrical Component Location

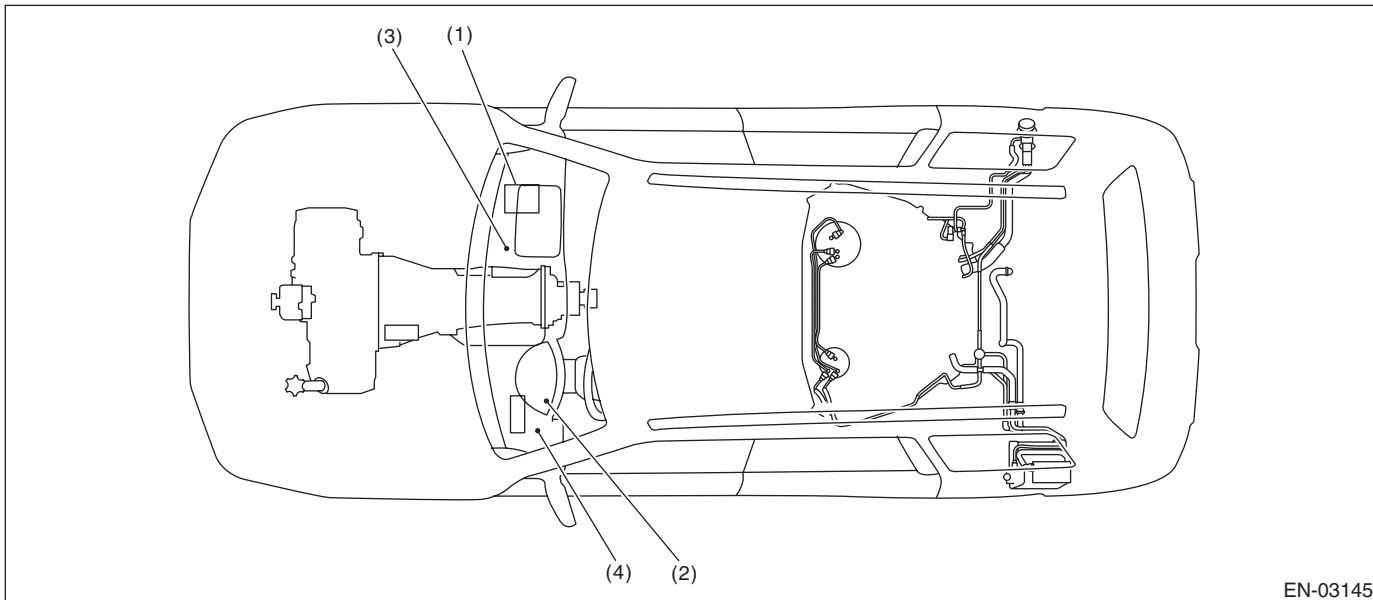
ENGINE (DIAGNOSTICS)

4. Electrical Component Location

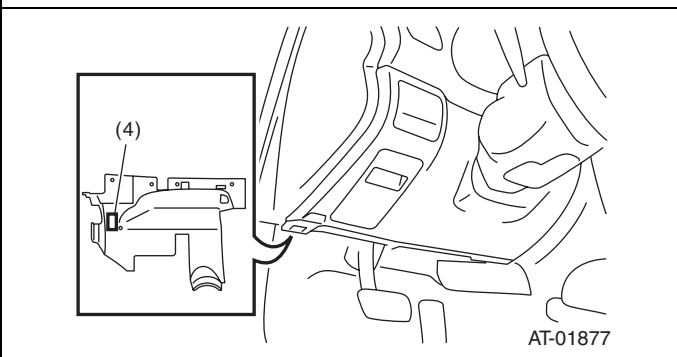
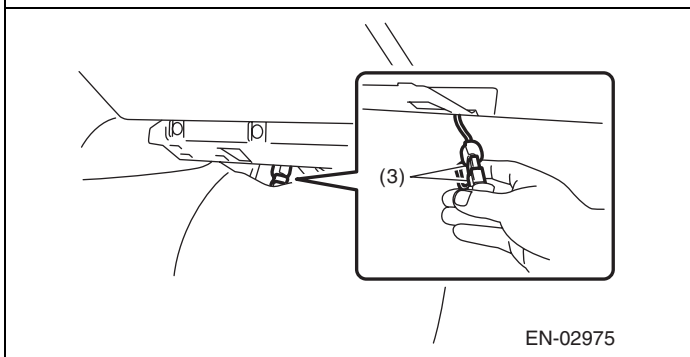
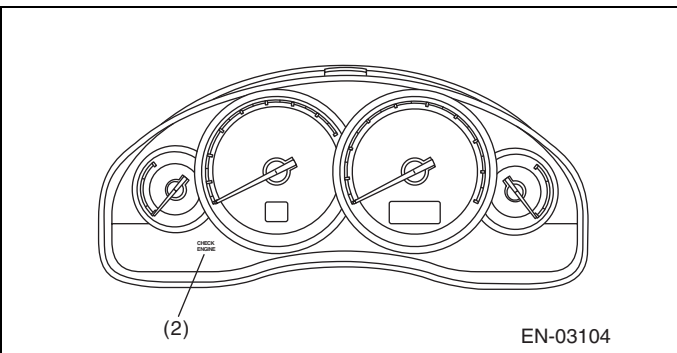
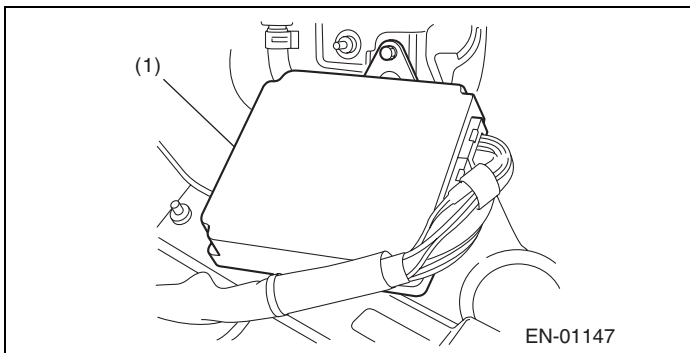
A: LOCATION

1. ENGINE

- Control module



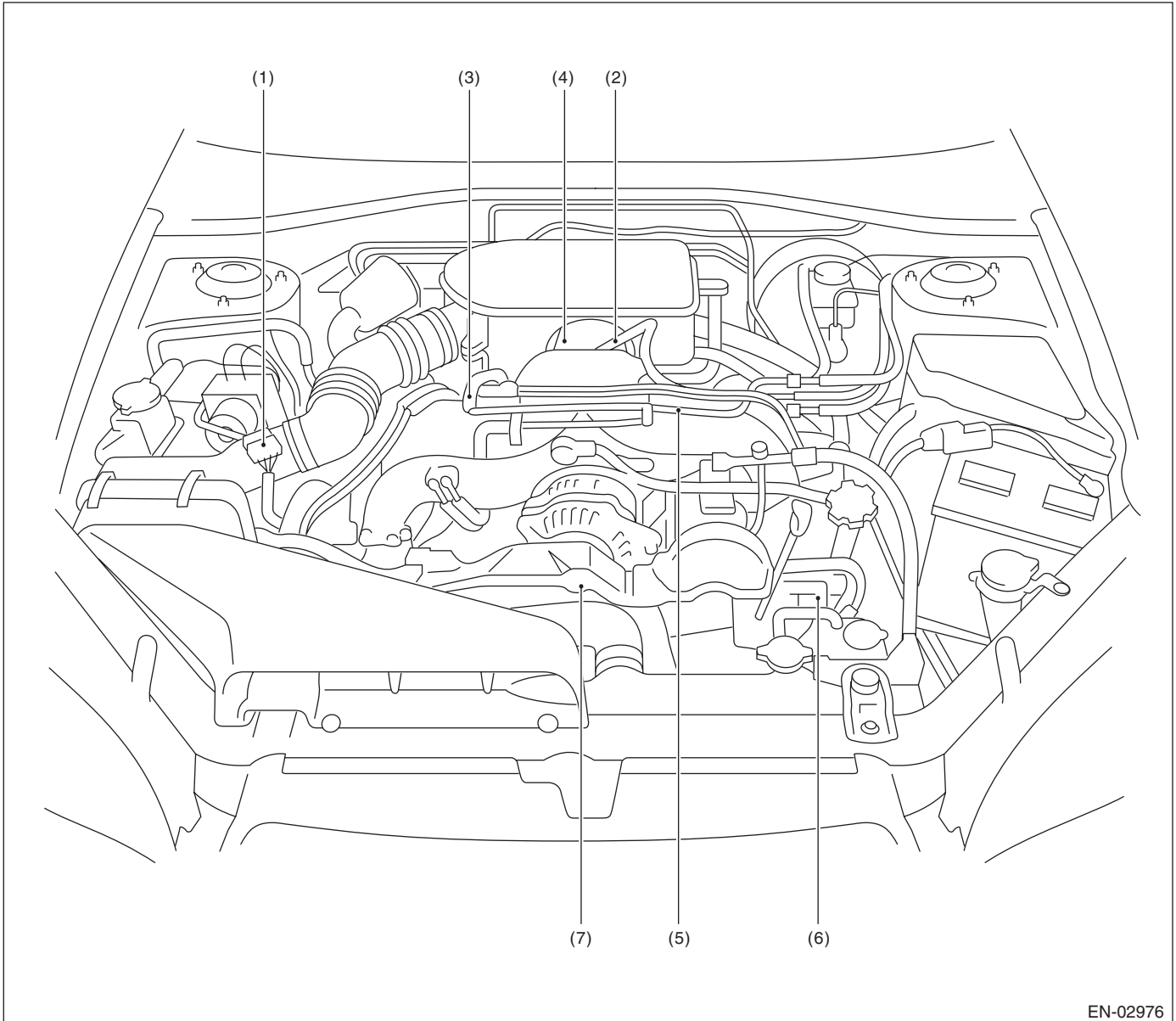
- (1) Engine control module (ECM) (3) Test mode connector (4) Data link connector
(2) Malfunction indicator light



Electrical Component Location

ENGINE (DIAGNOSTICS)

- Sensor

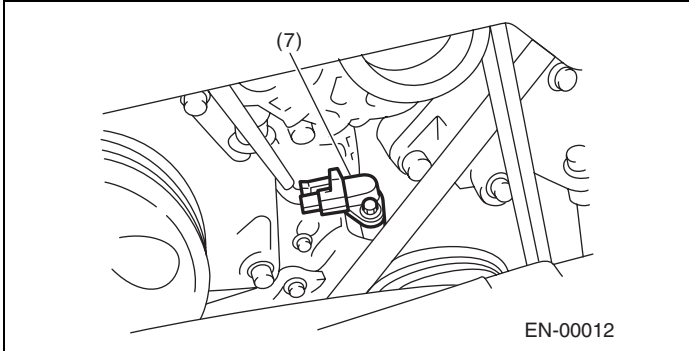
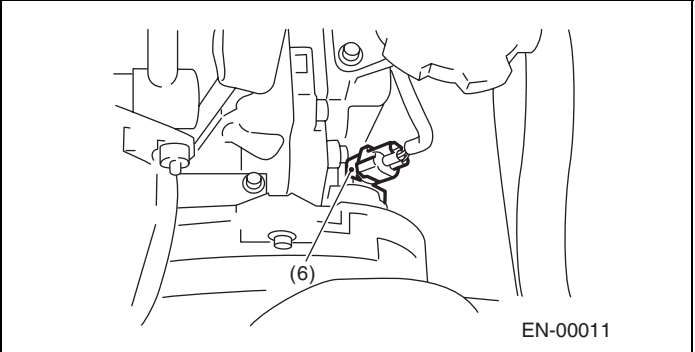
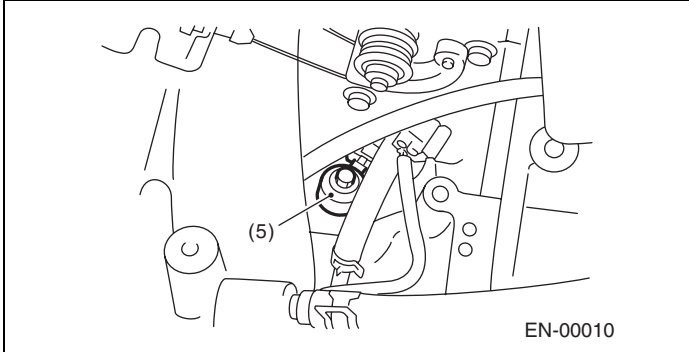
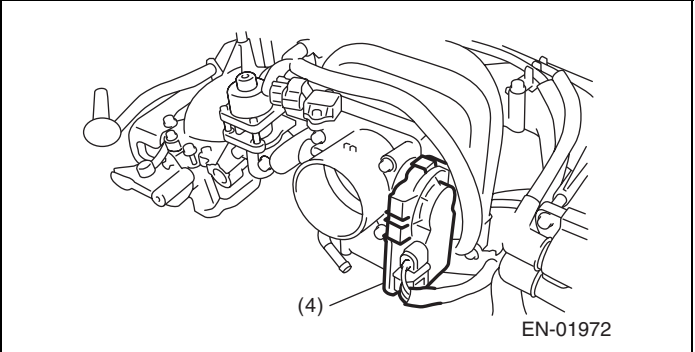
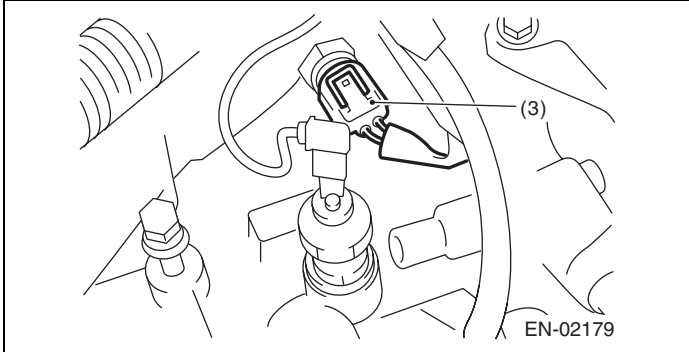
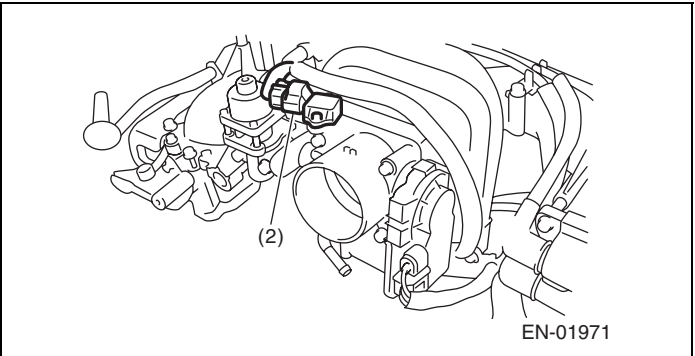
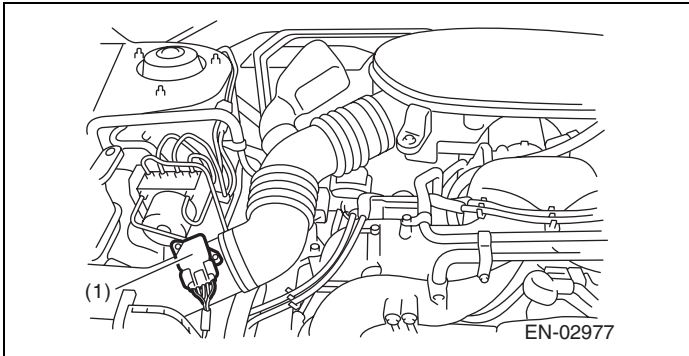


EN-02976

- | | | |
|---|---------------------------------------|--------------------------------|
| (1) Mass air flow and intake air temperature sensor | (3) Engine coolant temperature sensor | (5) Knock sensor |
| (2) Manifold absolute pressure sensor | (4) Electronic throttle control | (6) Camshaft position sensor |
| | | (7) Crankshaft position sensor |

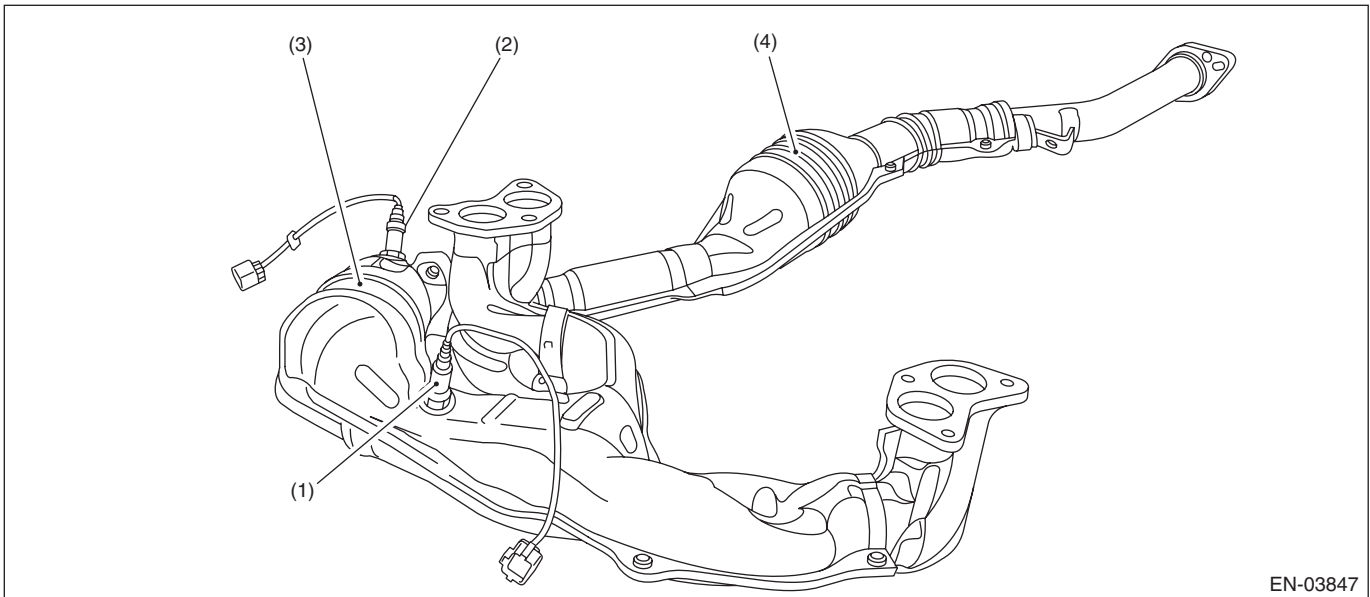
Electrical Component Location

ENGINE (DIAGNOSTICS)

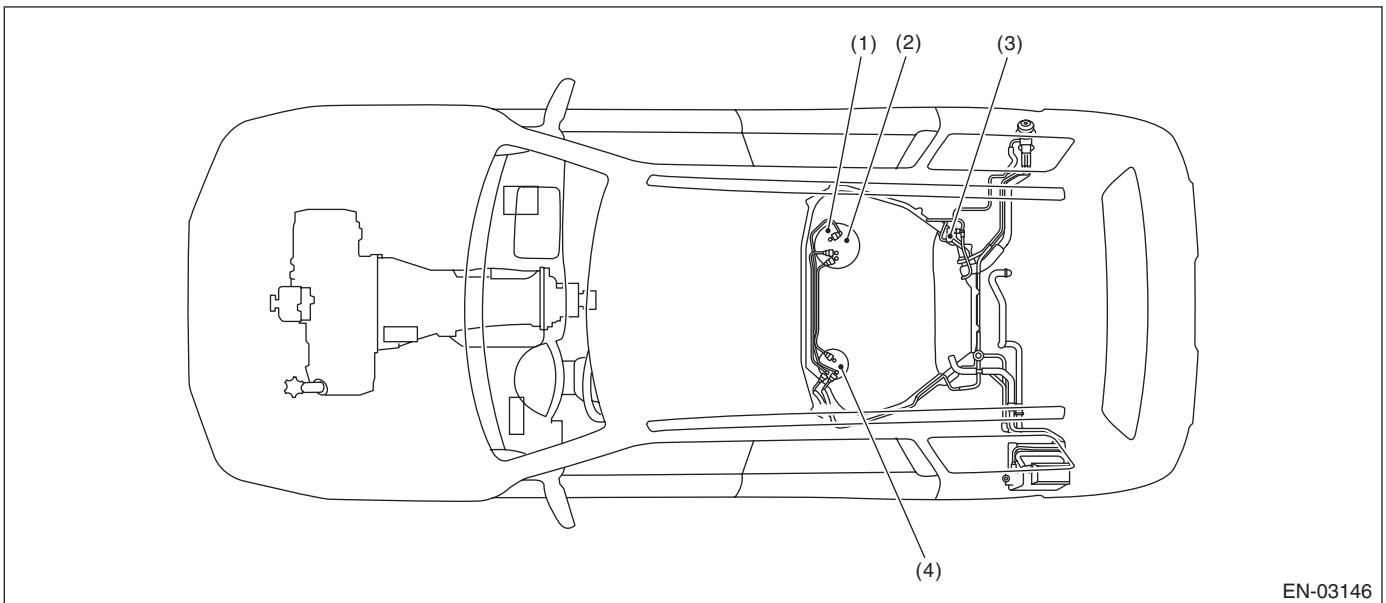


Electrical Component Location

ENGINE (DIAGNOSTICS)



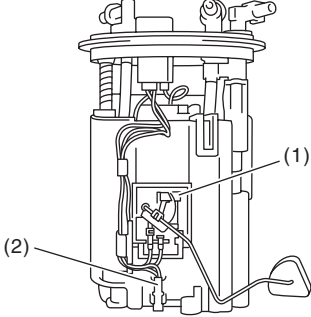
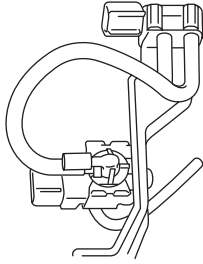
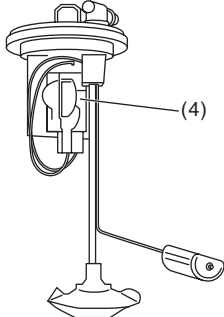
- (1) Front oxygen (A/F) sensor
- (2) Rear oxygen sensor
- (3) Front catalytic converter
- (4) Rear catalytic converter



- (1) Fuel level sensor
- (2) Fuel temperature sensor
- (3) Fuel tank pressure sensor
- (4) Fuel sub level sensor

Electrical Component Location

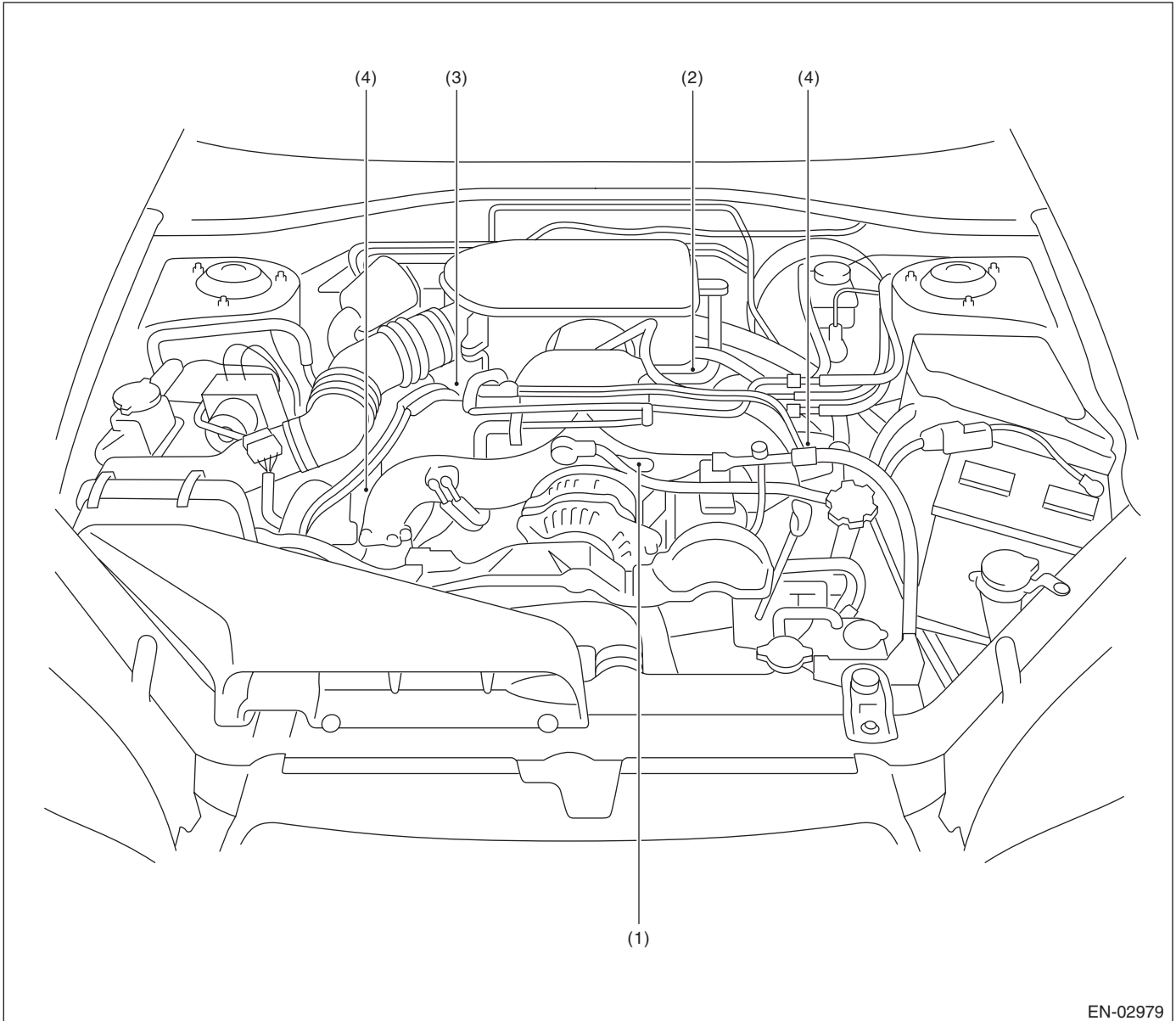
ENGINE (DIAGNOSTICS)

 <p>(1)</p> <p>(2)</p> <p>EN-03147</p>	 <p>(3)</p> <p>EN-03003</p>
 <p>(4)</p> <p>EN-03132</p>	<p>SUBARU.</p>

Electrical Component Location

ENGINE (DIAGNOSTICS)

- Solenoid valve, actuator, emission control system parts and ignition system parts



EN-02979

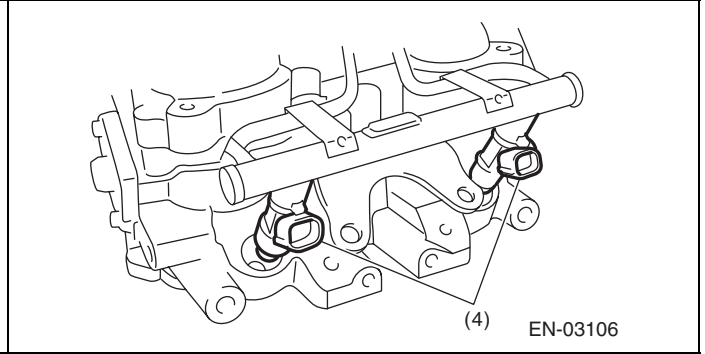
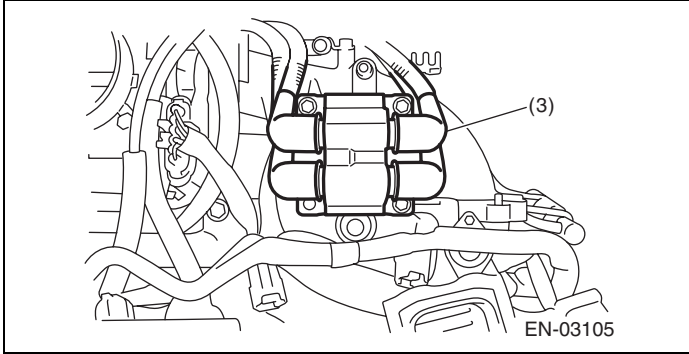
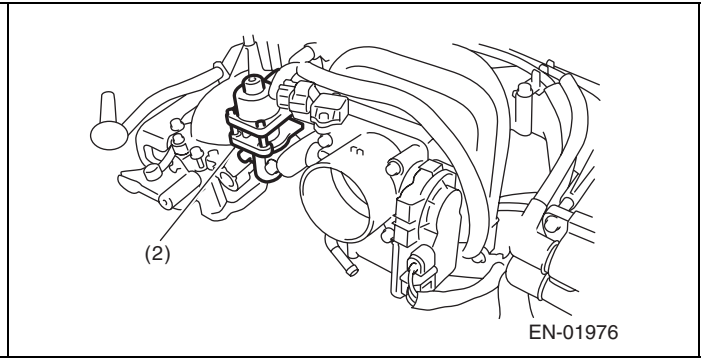
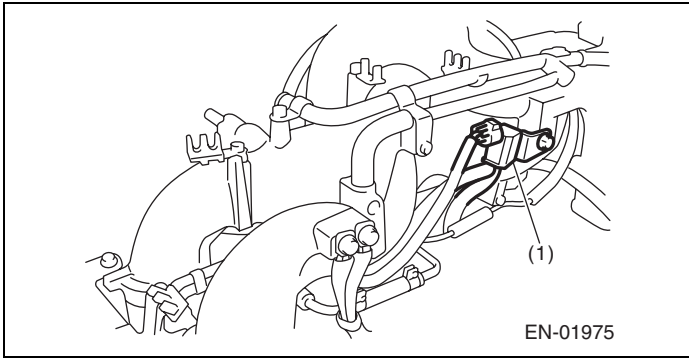
(1) Purge control solenoid valve
(2) EGR valve

(3) Ignition coil and ignitor ASSY

(4) Fuel injector

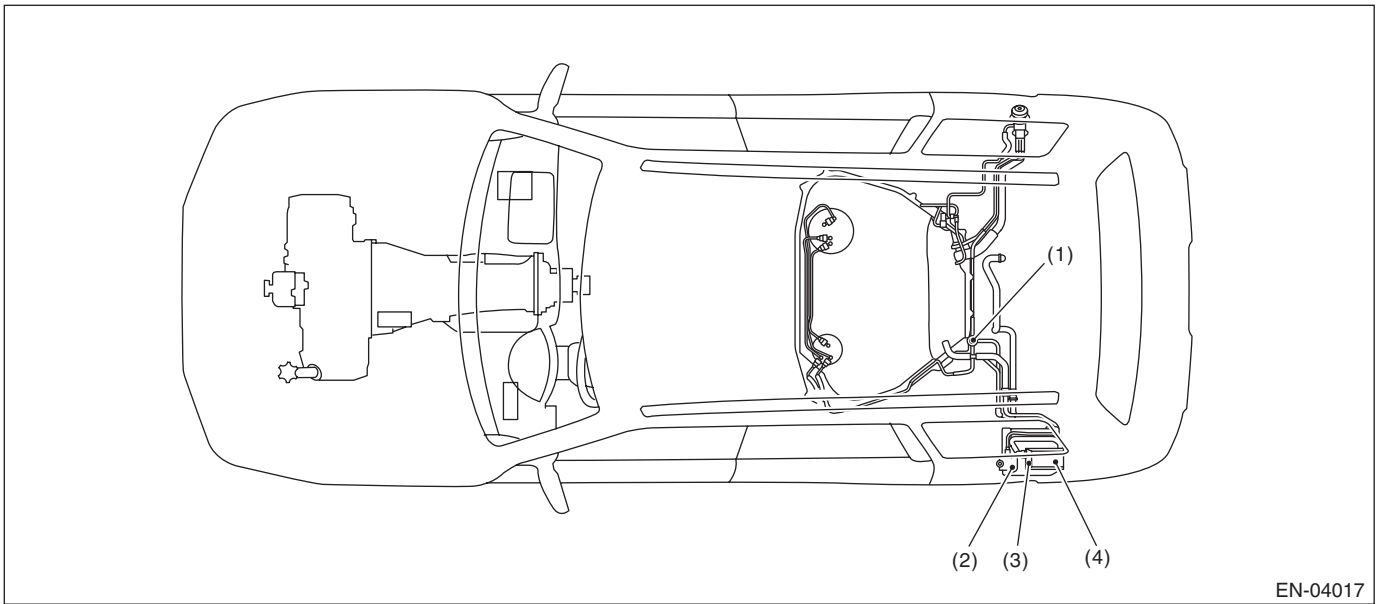
Electrical Component Location

ENGINE (DIAGNOSTICS)

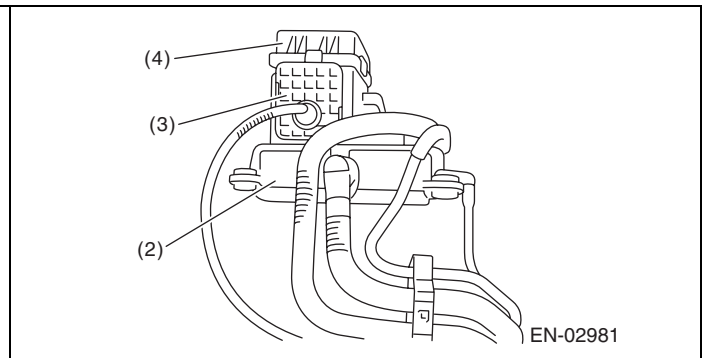
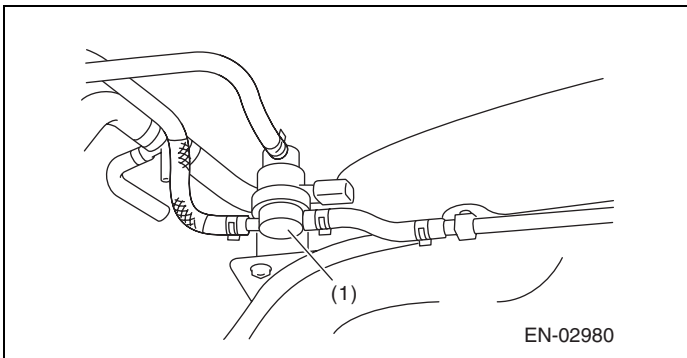


Electrical Component Location

ENGINE (DIAGNOSTICS)

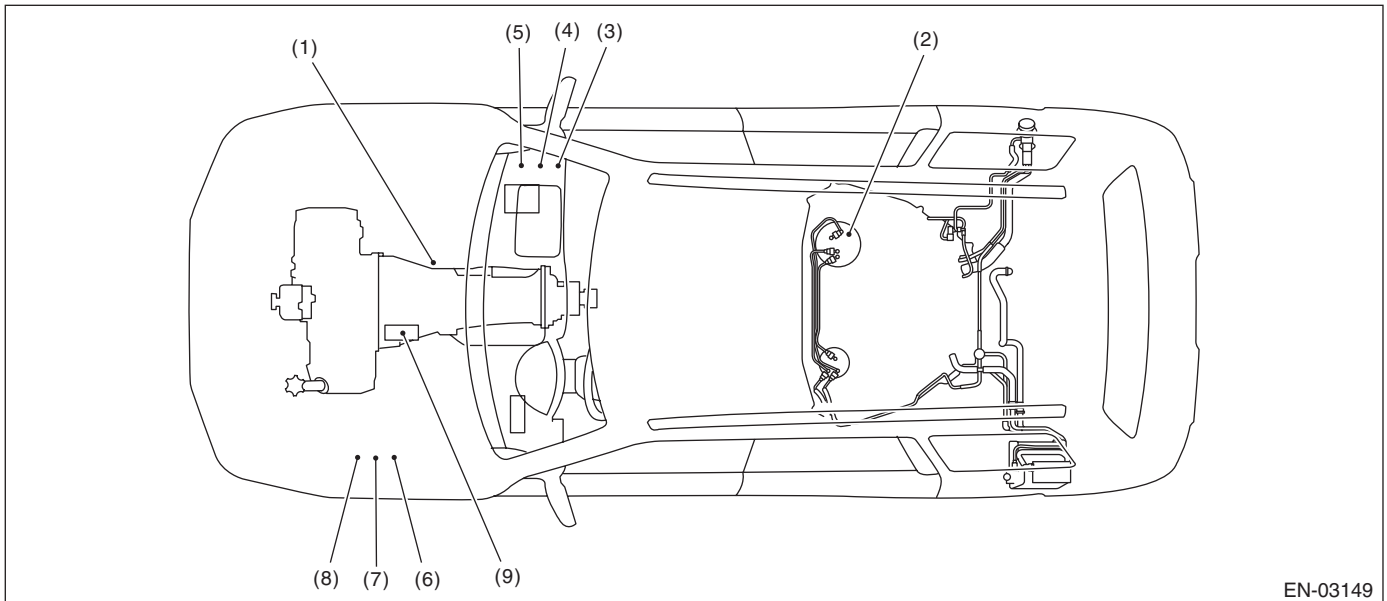


- (1) Pressure control solenoid valve
- (2) Canister
- (3) Drain valve
- (4) Drain filter



Electrical Component Location

ENGINE (DIAGNOSTICS)



- | | | |
|----------------------|---------------------------------------|-------------------------------|
| (1) Inhibitor switch | (4) Fuel pump relay | (7) Radiator sub fan relay |
| (2) Fuel pump | (5) Electronic throttle control relay | (8) Radiator main fan relay 2 |
| (3) Main relay | (6) Radiator main fan relay 1 | (9) Starter |

