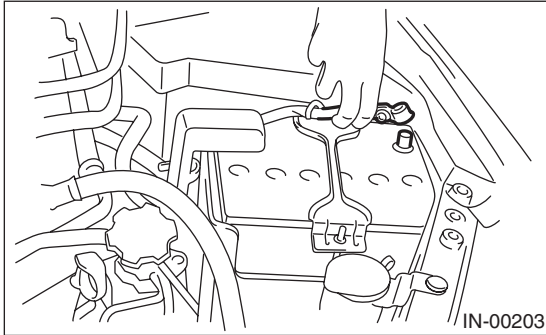


18.Main Relay

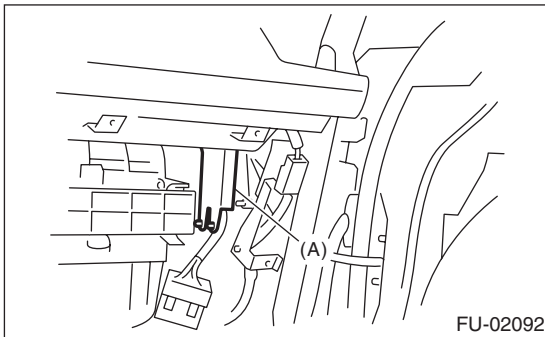
A: REMOVAL

1) Disconnect the ground cable from the battery.

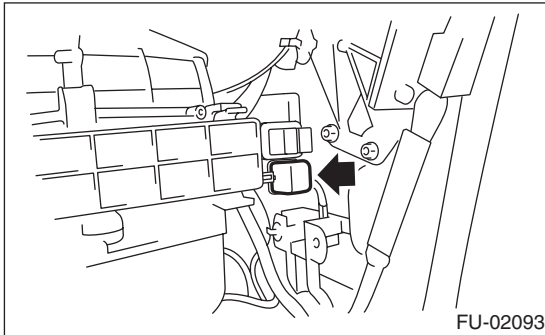


2) Remove the glove box. <Ref. to EI-51, REMOVAL, Glove Box.>

3) Remove the harness cover (A).



4) Disconnect the connectors from main relay.



B: INSTALLATION

Install in the reverse order of removal.