

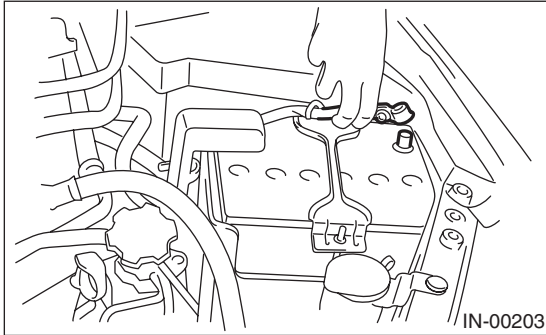
# Fuel Pump Relay

FUEL INJECTION (FUEL SYSTEMS)

## 19. Fuel Pump Relay

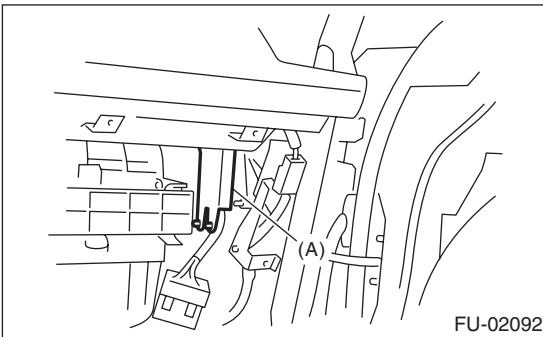
### A: REMOVAL

1) Disconnect the ground cable from the battery.

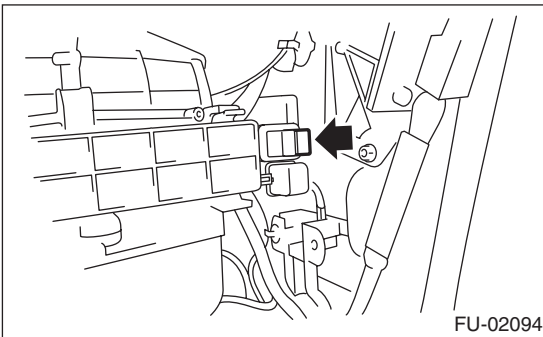


2) Remove the glove box. <Ref. to EI-51, REMOVAL, Glove Box.>

3) Remove the harness cover (A).



4) Disconnect the connector from fuel pump relay.



### B: INSTALLATION

Install in the reverse order of removal.