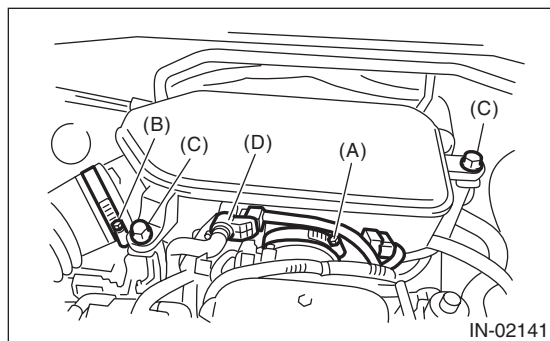


4. Air Intake Chamber

A: REMOVAL

- 1) Loosen the clamp (A) which connects air intake chamber to throttle body.
- 2) Loosen the clamp (B) which connects the duct to air intake chamber.
- 3) Remove the bolt (C) which secures air intake chamber to the stay.
- 4) Disconnect the connector (D).



- 5) Disconnect the blow-by hoses, and then remove air intake chamber.

B: INSTALLATION

Install in the reverse order of removal.

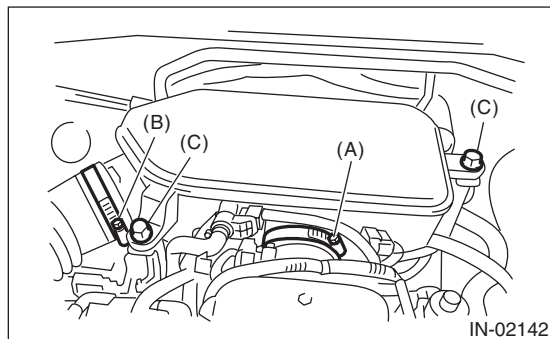
Tightening torque:

Clamp (A), (B)

3.0 N·m (0.3 kgf-m, 2.2 ft-lb)

Bolt (C)

6.5 N·m (0.66 kgf-m, 4.8 ft-lb)



C: INSPECTION

- 1) Check for cracks or loose connection.
- 2) Inspect that no foreign objects are mixed in the air intake chamber.