

## 12.V-belt

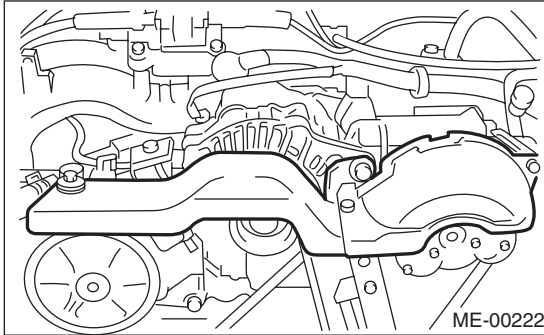
### A: REMOVAL

**NOTE:**

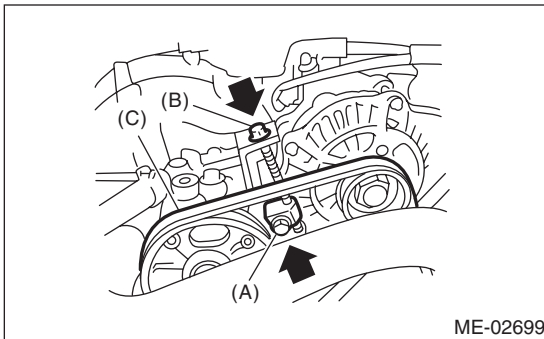
Perform the following procedures with the engine installed to body.

#### 1. FRONT SIDE BELT

- 1) Remove the V-belt covers.

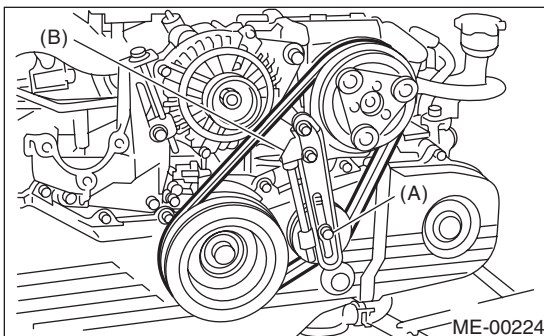


- 2) Loosen the lock bolt (A).
- 3) Loosen the slider bolt (B).
- 4) Remove the front side belt (C).



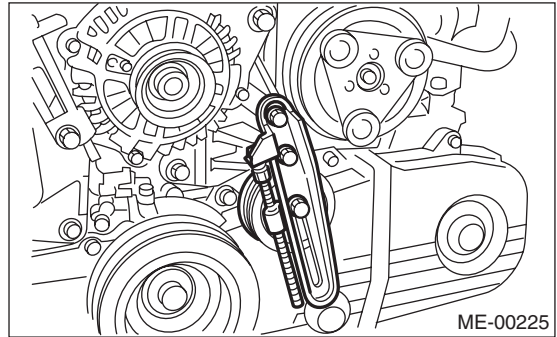
#### 2. REAR SIDE BELT

- 1) Loosen the lock nut (A).
- 2) Loosen the slider bolt (B).



- 3) Remove the rear side belt.

- 4) Remove the belt tensioner.



### B: INSTALLATION

**NOTE:**

Wipe off any oil and water on the belt and pulley.

#### 1. FRONT SIDE BELT

- 1) Install the V belt, and tighten the slider bolt to obtain the specified belt tension. <Ref. to ME(H4SO)-37, INSPECTION, V-belt.>
- 2) Tighten the lock bolt (A).
- 3) Tighten the slider bolt (B).

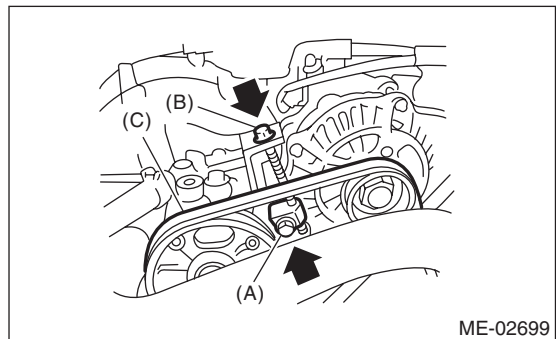
**Tightening torque:**

**Lock bolt (A)**

**25 N·m (2.5 kgf-m, 18.1 ft-lb)**

**Slider bolt (B)**

**8 N·m (0.8 kgf-m, 5.8 ft-lb)**



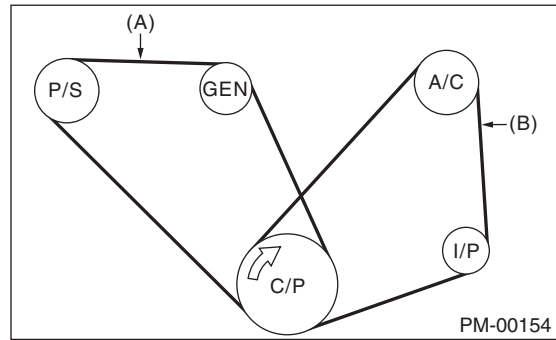
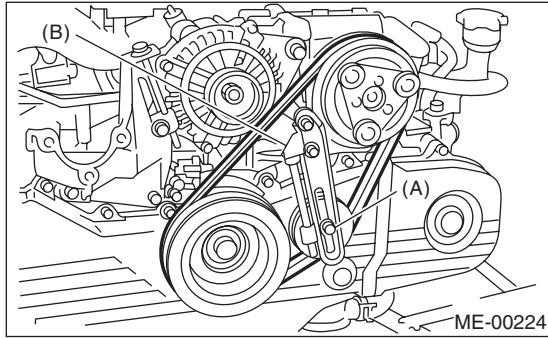
## 2. REAR SIDE BELT

- 1) Install the belt tensioner.
- 2) Install a V belt, and tighten the slider bolt (B) so as to obtain the specified belt tension.  
<Ref. to ME(H4SO)-37, INSPECTION, V-belt.>
- 3) Tighten the lock nut (A).

### Tightening torque:

#### Lock nut (A)

**23 N·m (2.3 kgf-m, 17.0 ft-lb)**



- (A) Front side belt
- (B) Rear side belt
- C/P Crank pulley
- GEN Generator
- P/S Power steering oil pump pulley
- A/C Air conditioning compressor pulley
- I/P Idler pulley

## C: INSPECTION

- 1) Replace the belts, if crack, fraying or wear is found.
- 2) Remove the V-belt cover and reservoir tank. (with belt tension gauge)
- 3) Check the V-belt tension and adjust it if necessary by changing the generator installing position or idler pulley installing position.

### Belt tension (with belt tension gauge):

#### (A)

##### When installing new parts:

**618 — 755 N (63 — 77 kgf, 139 — 170 lb)**

##### At inspection

**490—640 N (50.0—65.3 kgf, 110.2—143.9 lb)**

#### (B)

##### When installing new parts:

**740—880 N (75.5—89.7 kgf, 166—198 lb)**

##### At inspection

**350 — 450 N (35.7 — 45.9 kgf, 78.7 — 101.2 lb)**

### Belt tension (without belt tension gauge):

#### (A)

##### When installing new parts:

**7 — 9 mm (0.276 — 0.354 in)**

##### At inspection

**9 — 11 mm (0.354 — 0.433 in)**

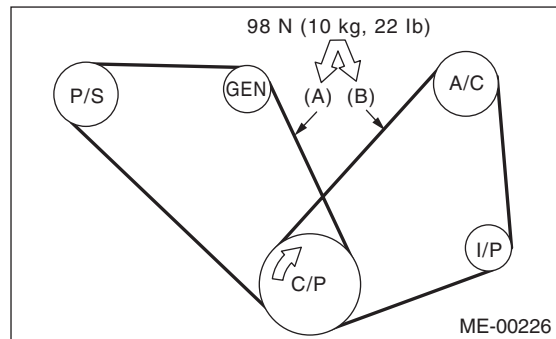
#### (B)

##### When installing new parts:

**7.5 — 8.5 mm (0.295 — 0.335 in)**

##### At inspection

**9.0 — 10.0 mm (0.354 — 0.394 in)**



- (A) Front side belt
- (B) Rear side belt
- C/P Crank pulley
- GEN Generator
- P/S Power steering oil pump pulley
- A/C Air conditioning compressor pulley
- I/P Idler pulley