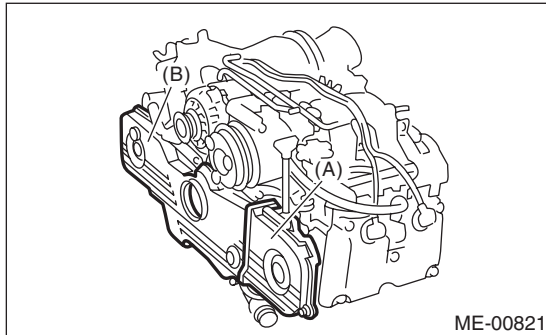


## 14. Timing Belt Cover

### A: REMOVAL

- 1) Remove the V-belts. <Ref. to ME(H4SO)-36, REMOVAL, V-belt.>
- 2) Remove the crank pulley. <Ref. to ME(H4SO)-38, REMOVAL, Crank Pulley.>
- 3) Remove the timing belt cover (LH).
- 4) Remove the front timing belt cover.



- (A) Timing belt cover (LH)  
 (B) Front timing belt cover

### B: INSTALLATION

- 1) Install the front timing belt cover.

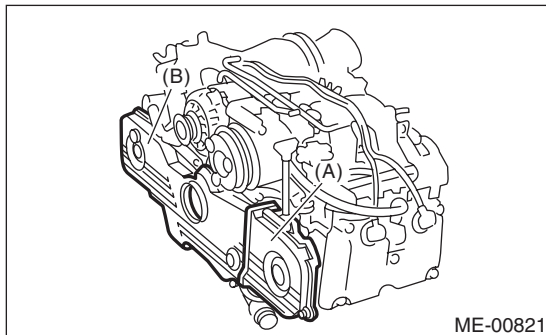
**Tightening torque:**

**5 N·m (0.5 kgf·m, 3.6 ft-lb)**

- 2) Install the timing belt cover (LH).

**Tightening torque:**

**5 N·m (0.5 kgf·m, 3.6 ft-lb)**



- (A) Timing belt cover (LH)  
 (B) Front timing belt cover

- 3) Install the crank pulley. <Ref. to ME(H4SO)-38, INSTALLATION, Crank Pulley.>
- 4) Install the V-belts. <Ref. to ME(H4SO)-36, INSTALLATION, V-belt.>

### C: INSPECTION

Check the cover for damage.