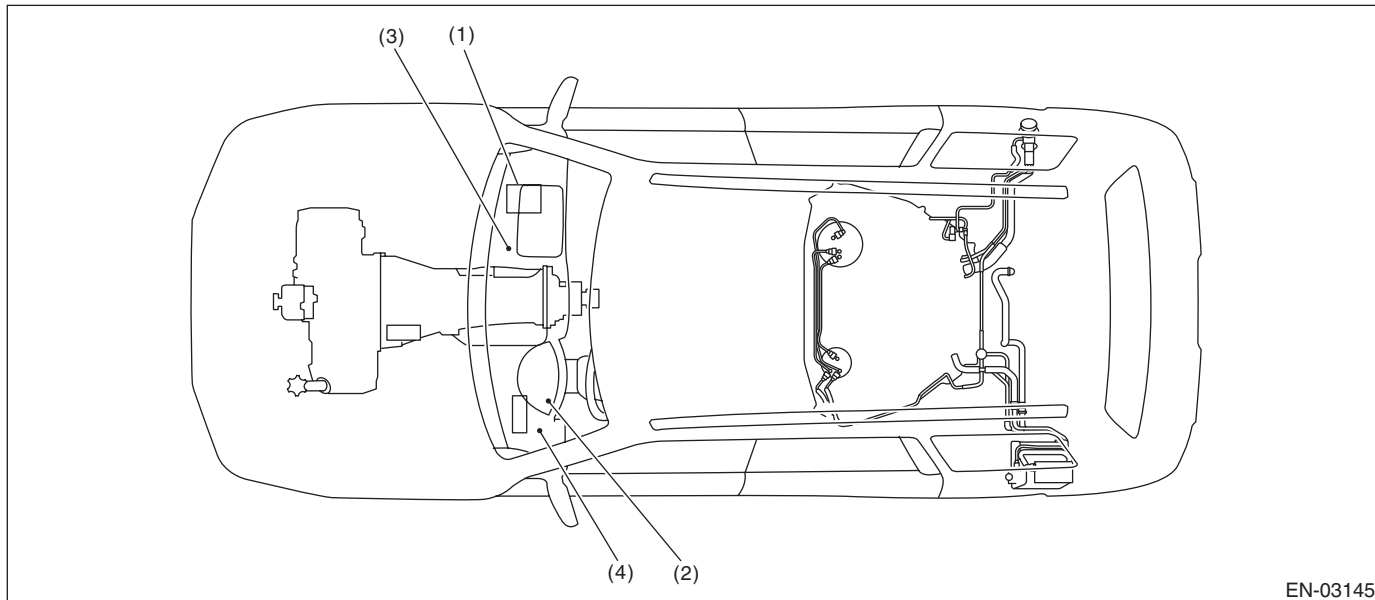


## 4. Electrical Component Location

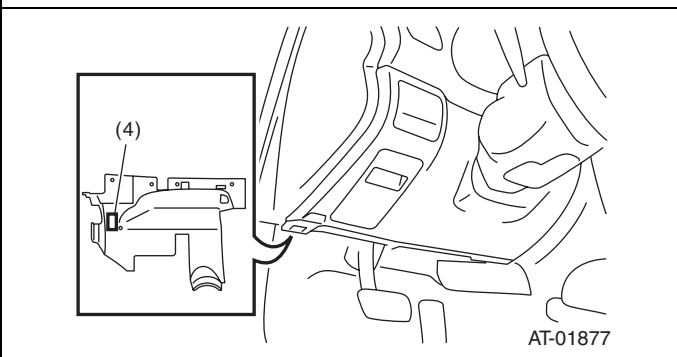
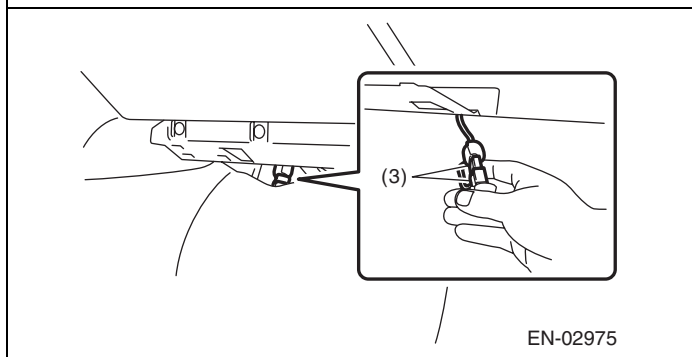
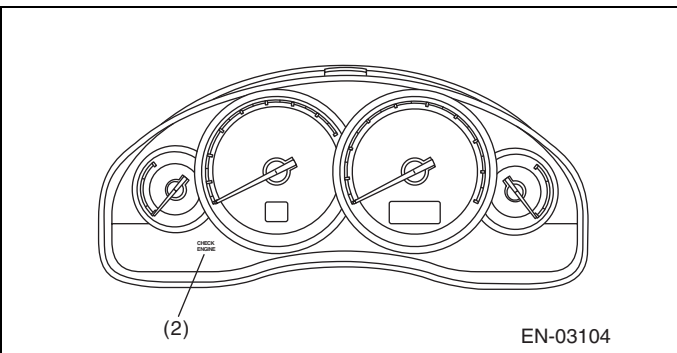
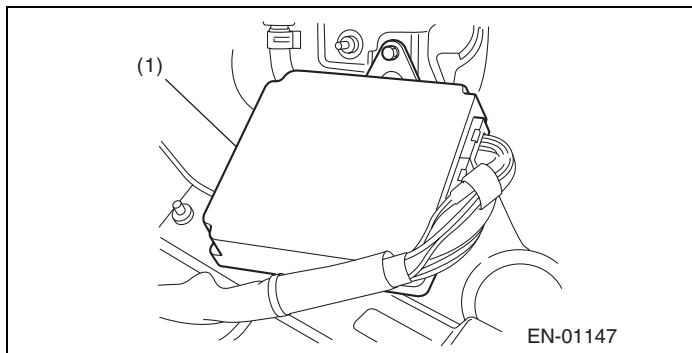
### A: LOCATION

#### 1. ENGINE

- Control module



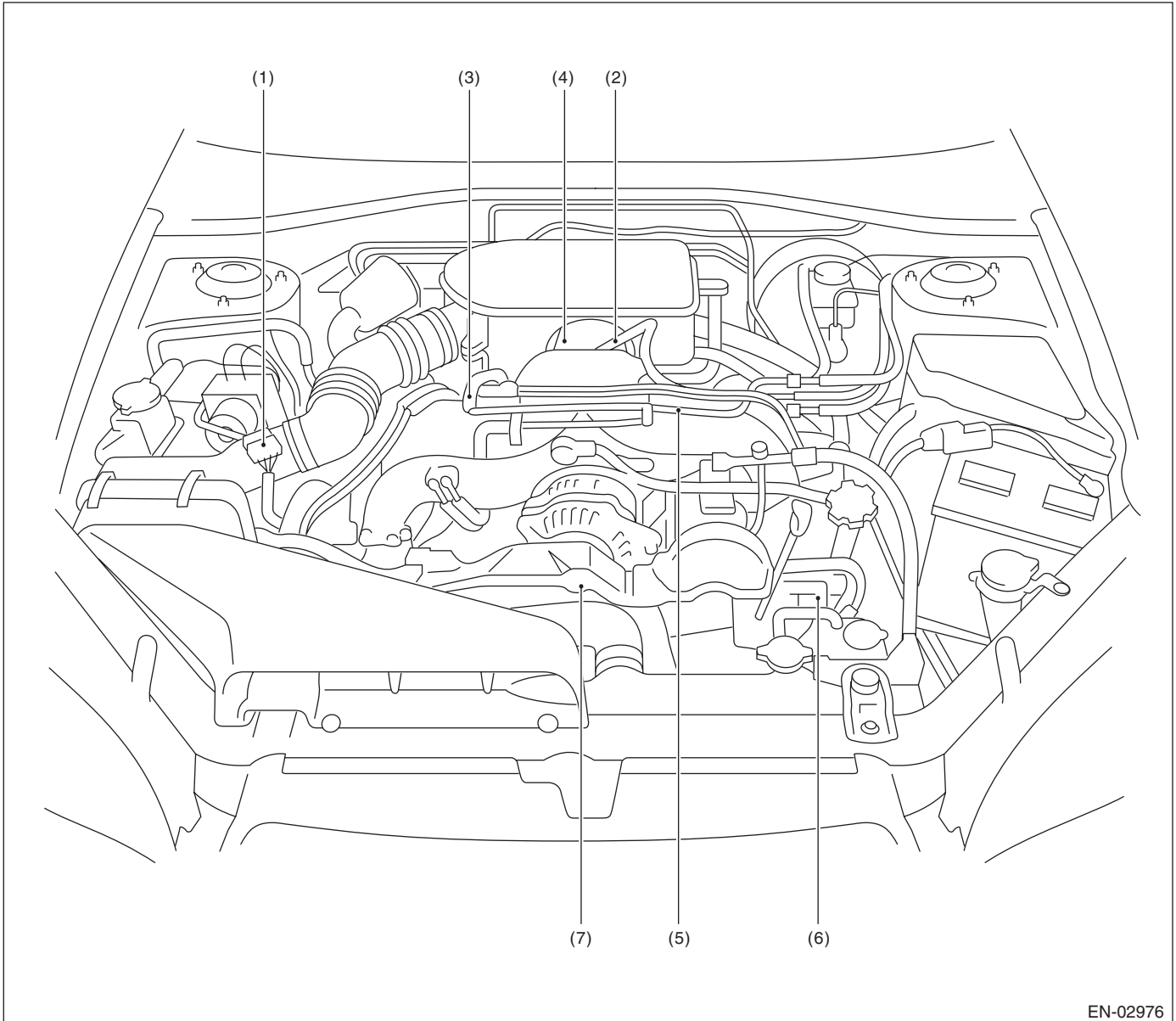
- (1) Engine control module (ECM)      (3) Test mode connector      (4) Data link connector  
(2) Malfunction indicator light



# Electrical Component Location

## ENGINE (DIAGNOSTICS)

- Sensor

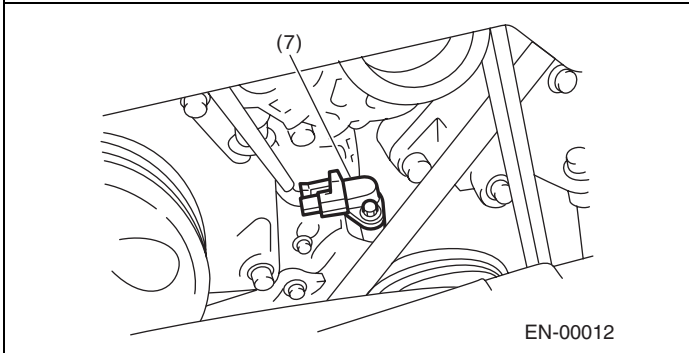
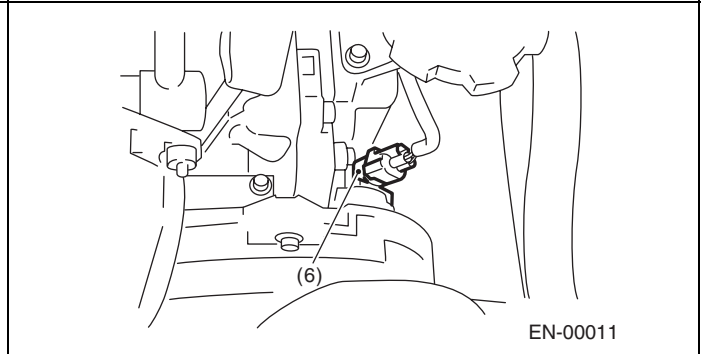
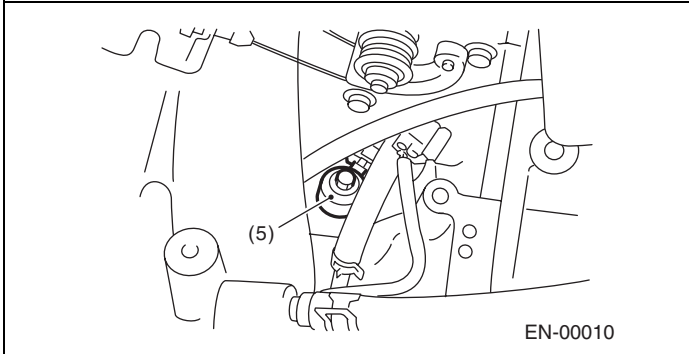
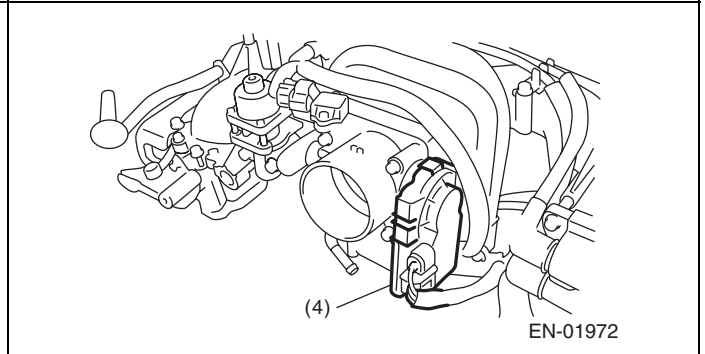
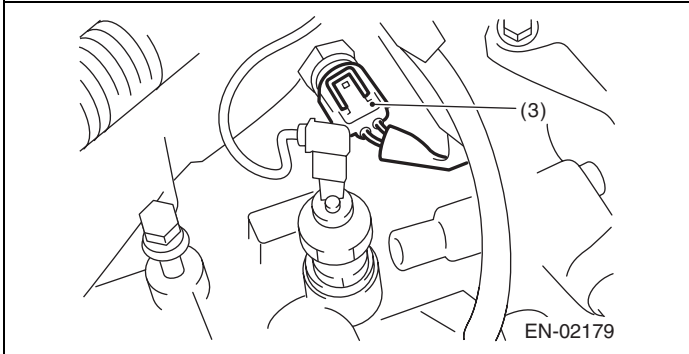
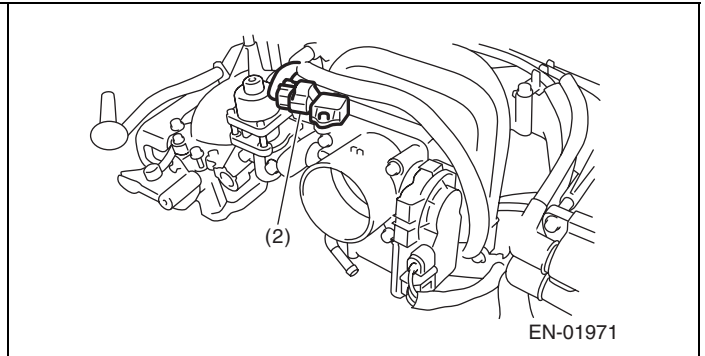
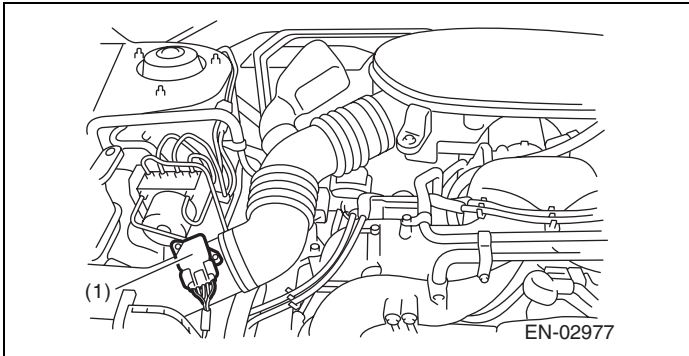


EN-02976

- |   |                                       |                                |
|---|---------------------------------------|--------------------------------|
| (1) Mass air flow and intake air temperature sensor | (3) Engine coolant temperature sensor | (5) Knock sensor               |
| (2) Manifold absolute pressure sensor               | (4) Electronic throttle control       | (6) Camshaft position sensor   |
|   |                                       | (7) Crankshaft position sensor |

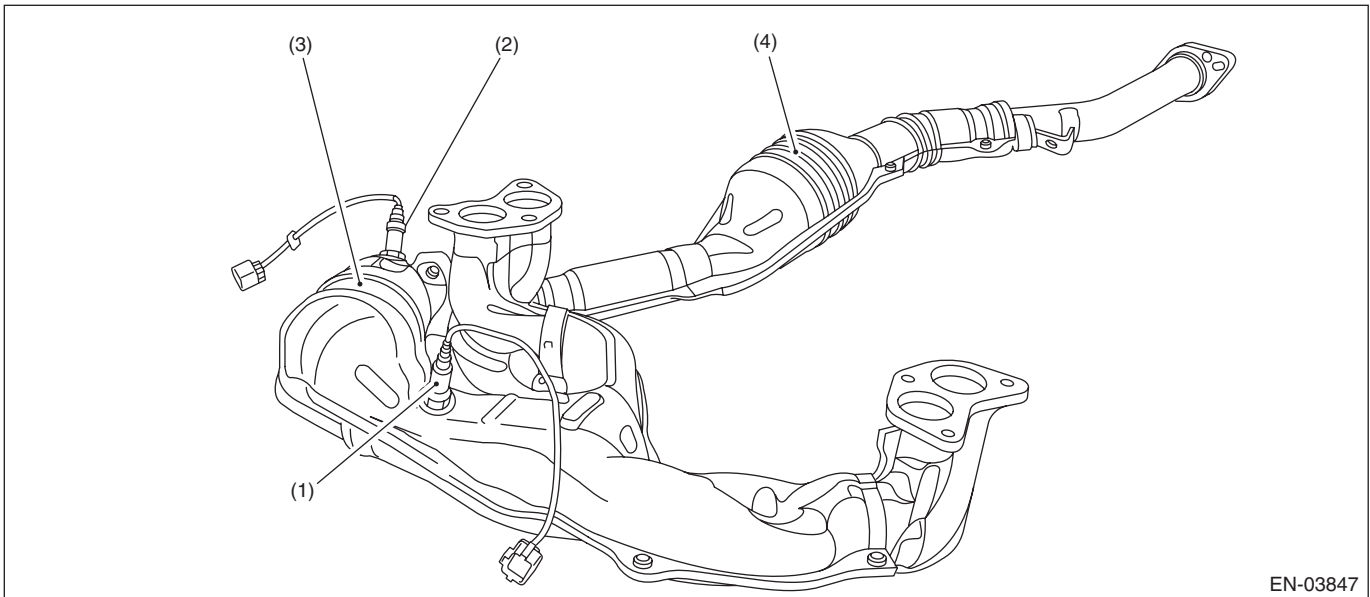
# Electrical Component Location

ENGINE (DIAGNOSTICS)

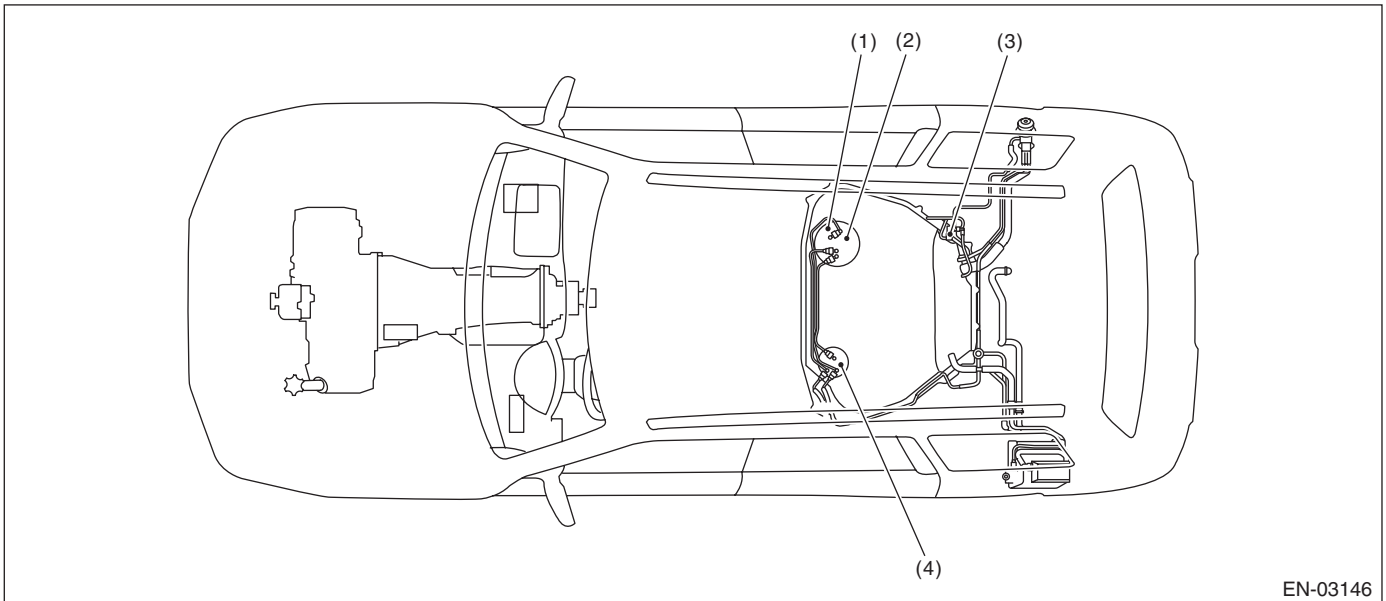


# Electrical Component Location

## ENGINE (DIAGNOSTICS)



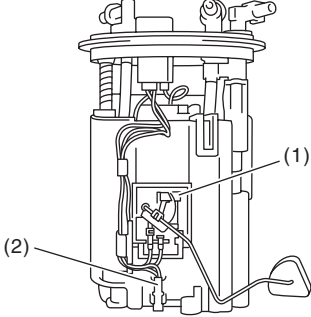
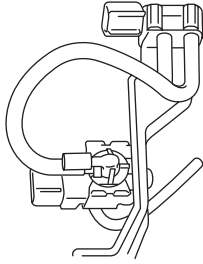
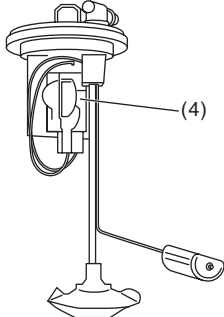
- (1) Front oxygen (A/F) sensor
- (2) Rear oxygen sensor
- (3) Front catalytic converter
- (4) Rear catalytic converter



- (1) Fuel level sensor
- (2) Fuel temperature sensor
- (3) Fuel tank pressure sensor
- (4) Fuel sub level sensor

# Electrical Component Location

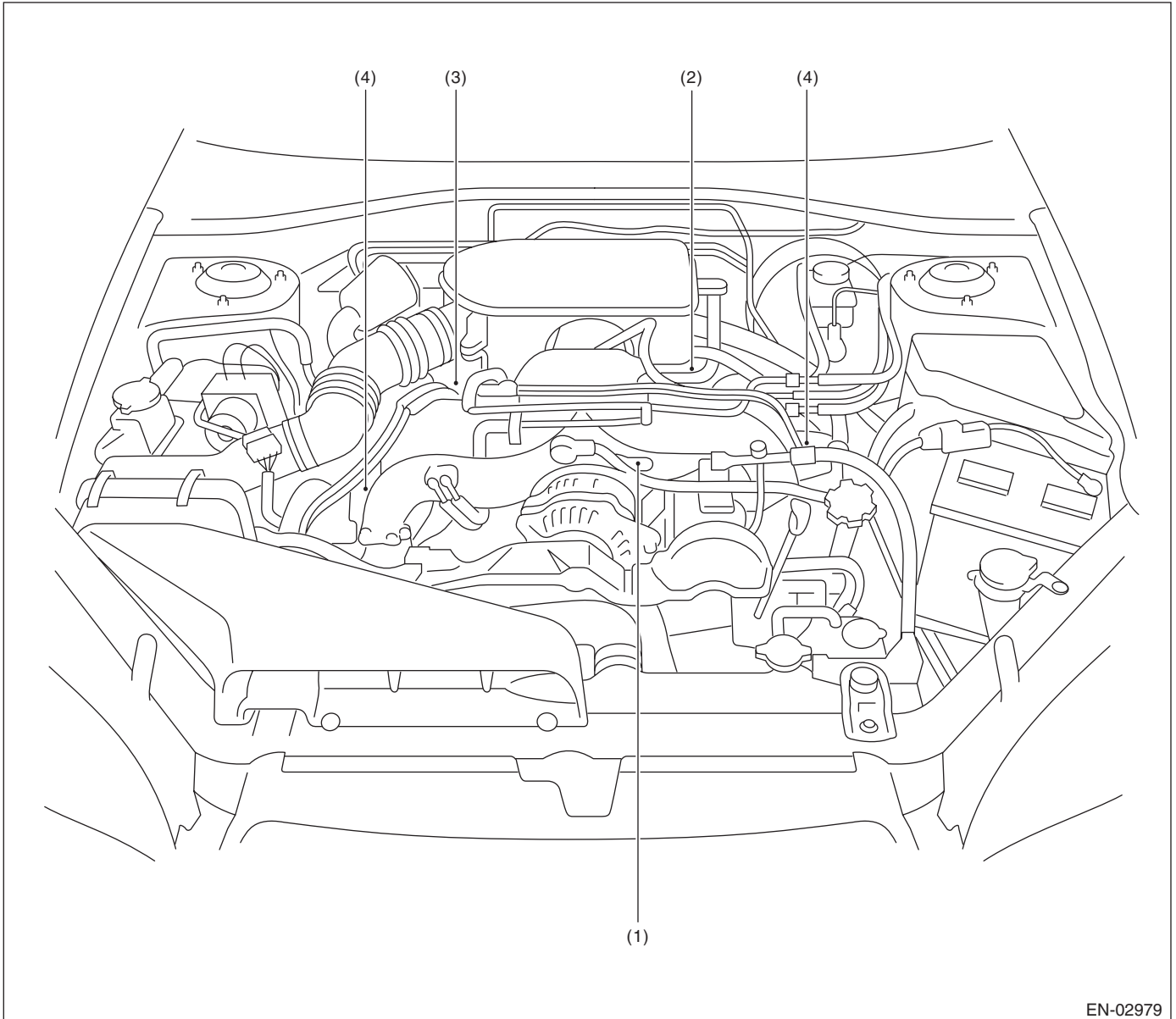
ENGINE (DIAGNOSTICS)

 <p>EN-03147</p>	 <p>EN-03003</p>
 <p>EN-03132</p>	<p>SUBARU.</p>

# Electrical Component Location

## ENGINE (DIAGNOSTICS)

- Solenoid valve, actuator, emission control system parts and ignition system parts



EN-02979

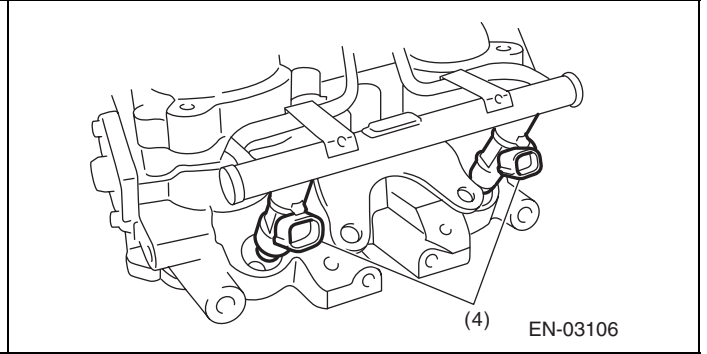
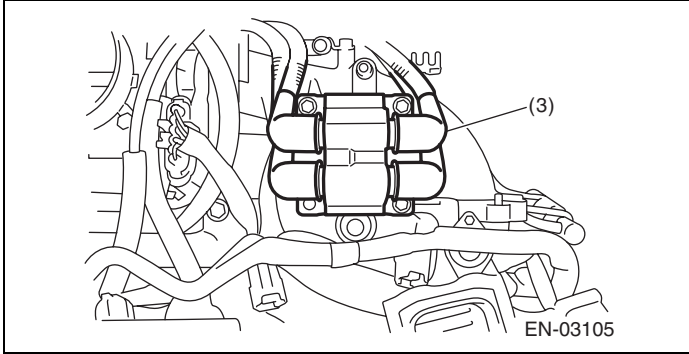
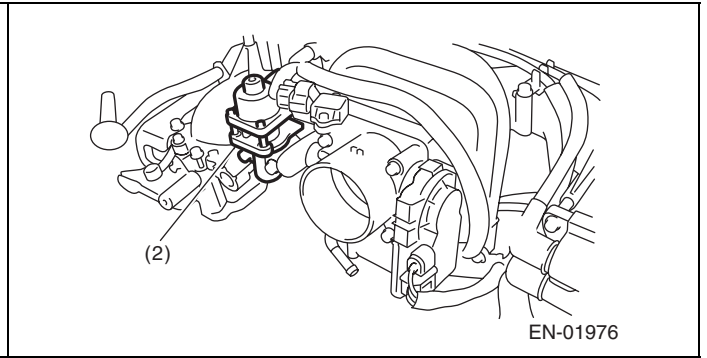
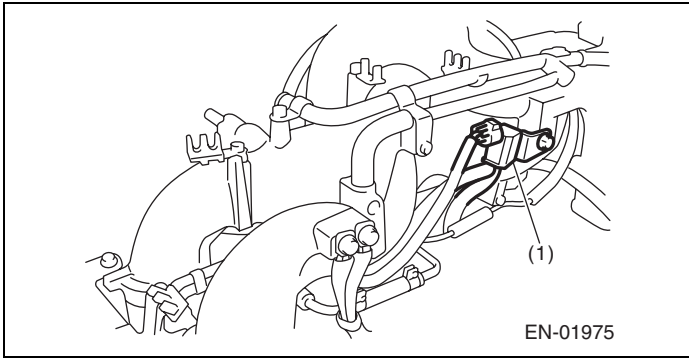
(1) Purge control solenoid valve  
(2) EGR valve

(3) Ignition coil and ignitor ASSY

(4) Fuel injector

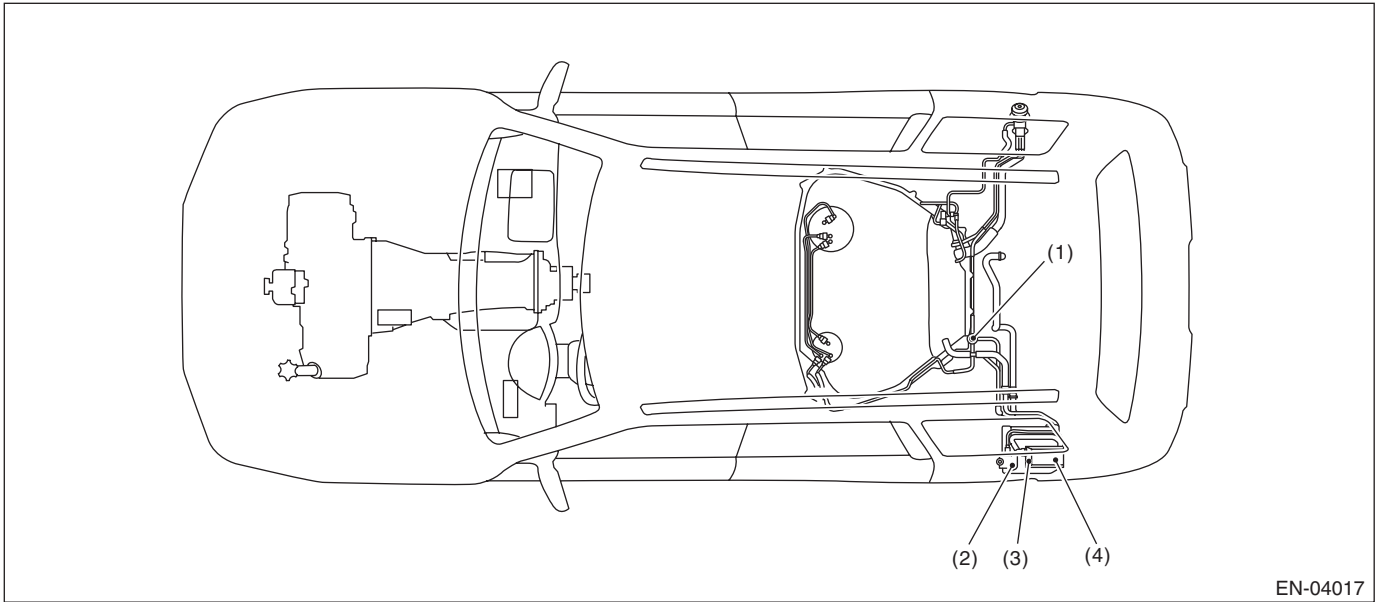
# Electrical Component Location

ENGINE (DIAGNOSTICS)

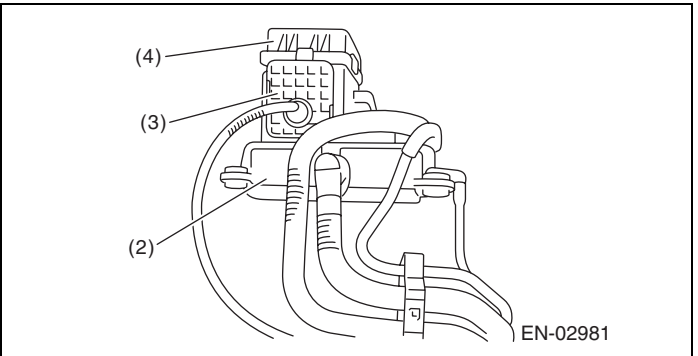
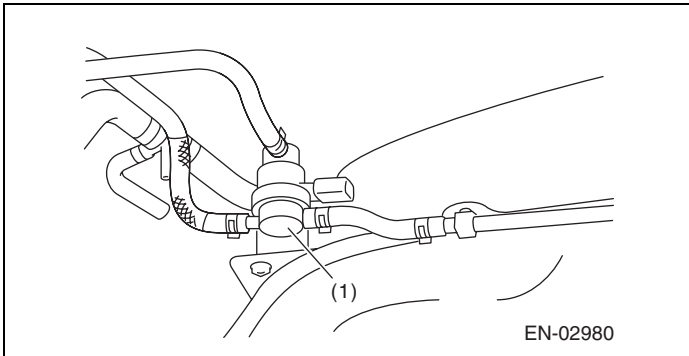


# Electrical Component Location

## ENGINE (DIAGNOSTICS)



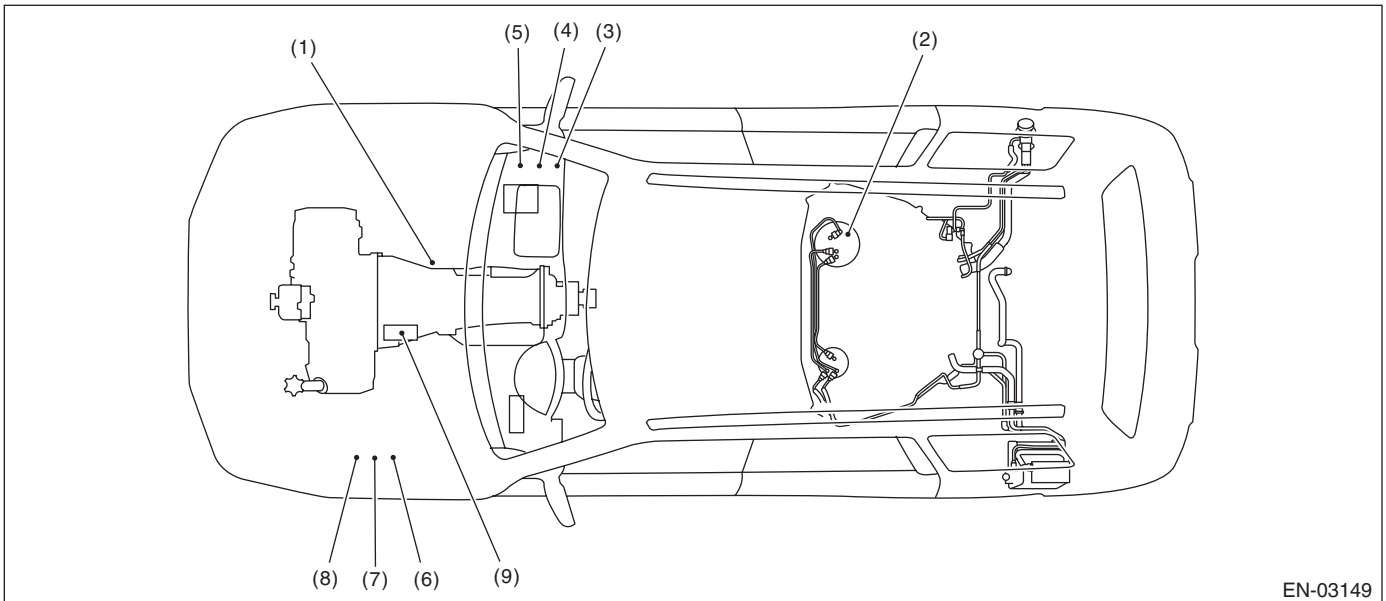
- (1) Pressure control solenoid valve
- (2) Canister
- (3) Drain valve
- (4) Drain filter





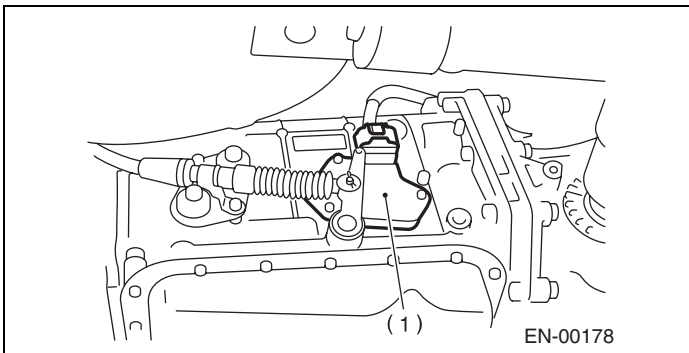
# Electrical Component Location

ENGINE (DIAGNOSTICS)

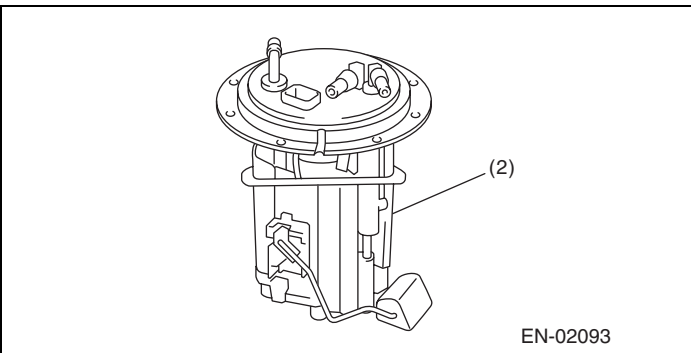


EN-03149

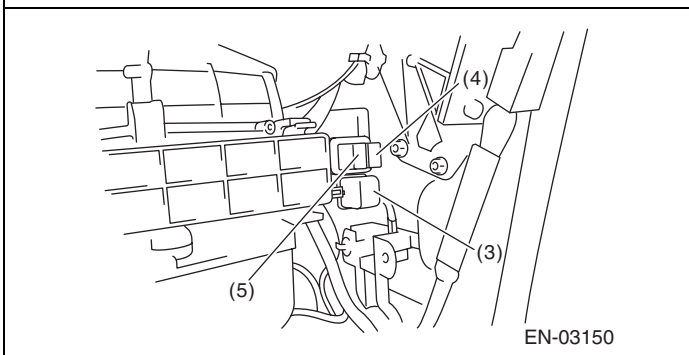
- |                      |                                       |                               |
|----------------------|---------------------------------------|-------------------------------|
| (1) Inhibitor switch | (4) Fuel pump relay                   | (7) Radiator sub fan relay    |
| (2) Fuel pump        | (5) Electronic throttle control relay | (8) Radiator main fan relay 2 |
| (3) Main relay       | (6) Radiator main fan relay 1         | (9) Starter                   |



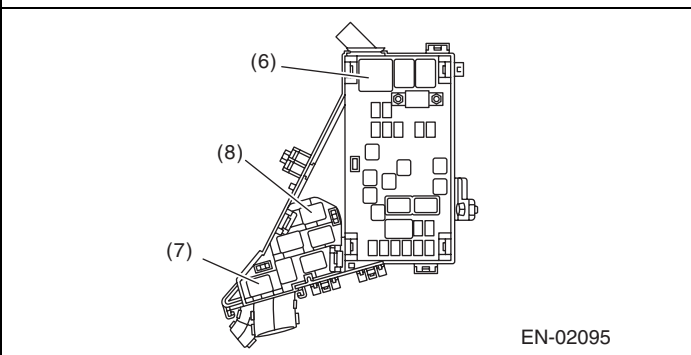
EN-00178



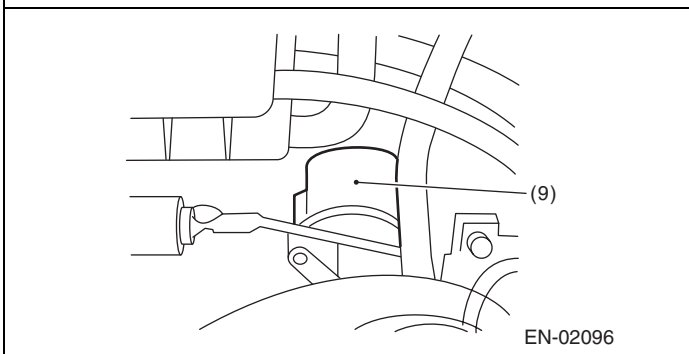
EN-02093



EN-03150



EN-02095



EN-02096

**SUBARU.**