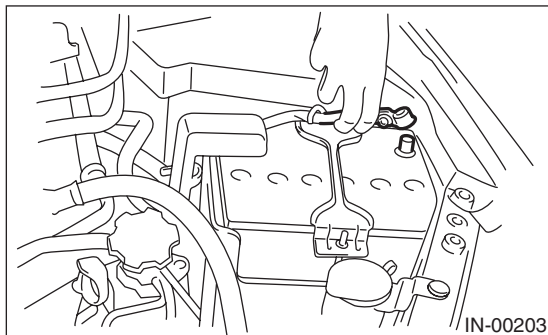


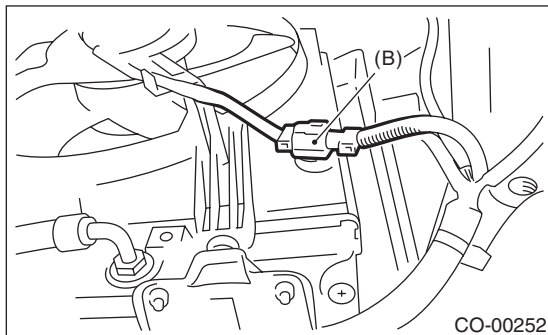
## 9. Radiator Sub Fan and Fan Motor

### A: REMOVAL

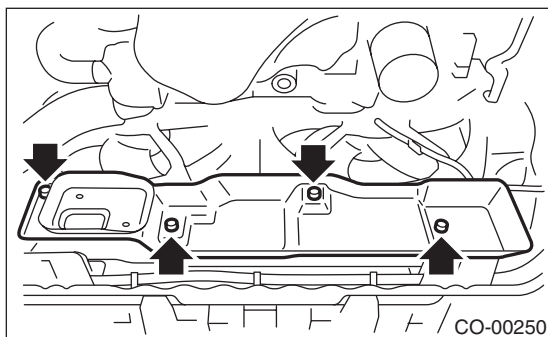
- 1) Remove the collector cover.
- 2) Disconnect the ground cable from battery.



- 3) Lift-up the vehicle.
- 4) Remove the under cover.
- 5) Disconnect the sub fan motor connector (B).

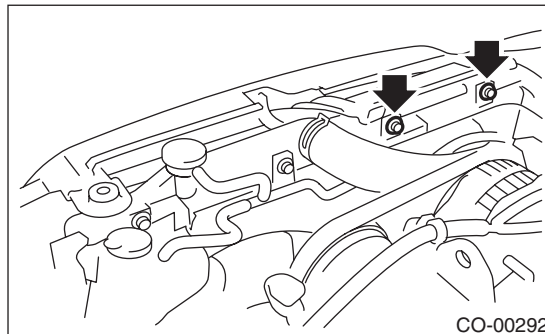


- 6) Remove the heat shield cover from radiator. (AT model)

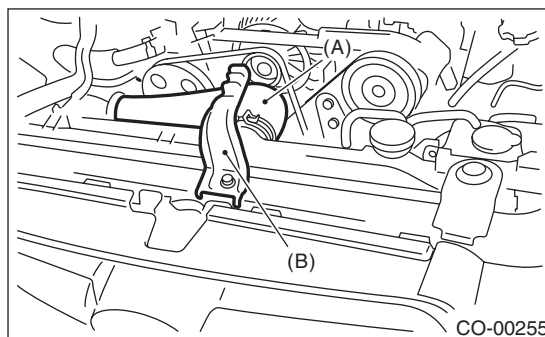


- 7) Drain the coolant about 1 ℓ (1.06 US qt, 0.88 Imp qt). <Ref. to CO(H4DOTC)-13, DRAINING OF ENGINE COOLANT, REPLACEMENT, Engine Coolant.>
- 8) Remove the ATF hose from the clip of the radiator sub fan motor assembly. (AT model)
- 9) Lower the vehicle.
- 10) Remove the air intake duct.
- 11) Disconnect the over flow hose.
- 12) Remove the over flow pipe.

- 13) Remove the reservoir tank. <Ref. to CO(H4DOTC)-30, REMOVAL, Reservoir Tank.>
- 14) Remove the mounting bolts from the radiator sub fan motor assembly.



- 15) Disconnect the radiator inlet hose (A) from the radiator.
- 16) Remove the hood stay holder (B).



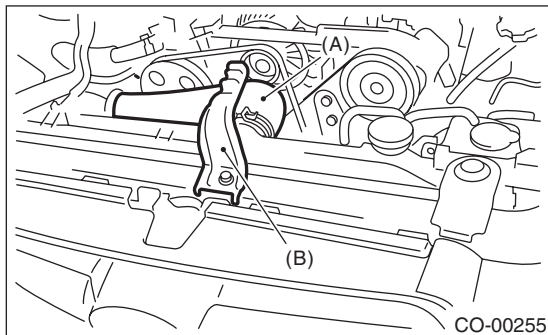
- 17) Remove the radiator sub fan motor assembly from the vehicle.

# Radiator Sub Fan and Fan Motor

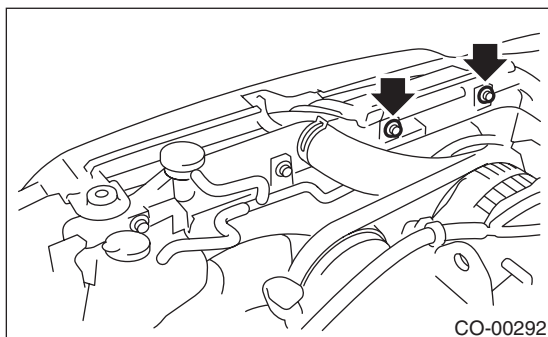
## COOLING

### B: INSTALLATION

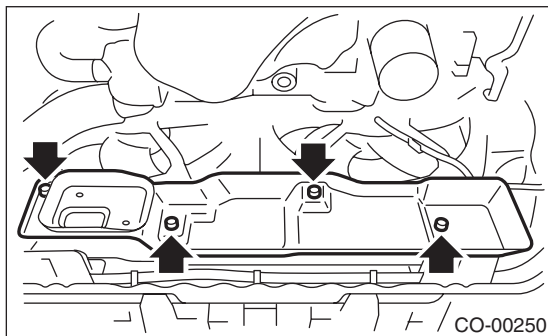
- 1) Install the radiator sub fan motor assembly to the vehicle.
- 2) Connect the radiator inlet hose (A) to the radiator.
- 3) Install the hood stay holder (B).



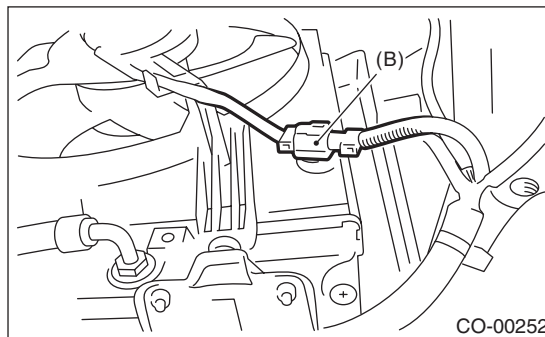
- 4) Install the mounting bolts to the radiator sub fan motor assembly.



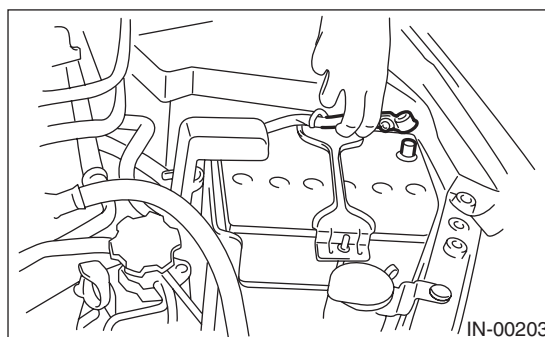
- 5) Install the reservoir tank.  
<Ref. to CO(H4DOTC)-30, INSTALLATION, Reservoir Tank.>
- 6) Install the over flow pipe.
- 7) Connect the over flow hose.
- 8) Install the air intake duct.
- 9) Lift-up the vehicle.
- 10) Connect the ATF hose to the clip of the radiator sub fan motor assembly. (AT model)
- 11) Install the heat shield cover to the radiator. (AT model)



- 12) Connect the sub fan motor connector (B).



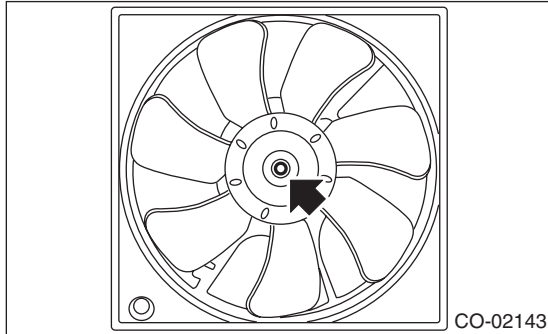
- 13) Install the under cover.
- 14) Lower the vehicle.
- 15) Connect the battery ground cable to the battery.



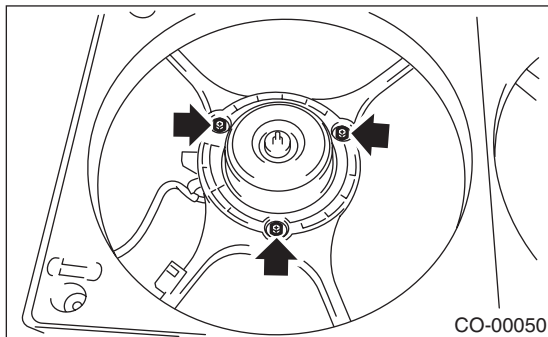
- 16) Fill engine coolant. <Ref. to CO(H4DOTC)-13, FILLING OF ENGINE COOLANT, REPLACEMENT, Engine Coolant.>
- 17) Install the collector cover.

## C: DISASSEMBLY

- 1) Remove the clip which holds the fan motor connector onto the shroud.
- 2) Remove the nut which holds fan to fan motor and shroud assembly.



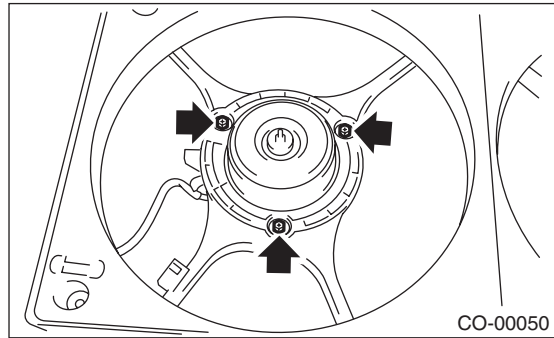
- 3) Remove the bolts which hold fan motor onto shroud.



## D: ASSEMBLY

Assemble in the reverse order of disassembly.

**Tightening torque:**  
**5 N·m (0.5 kgf-m, 3.6 ft-lb)**



**Tightening torque:**  
**3.4 N·m (0.35 kgf-m, 2.5 ft-lb)**

