

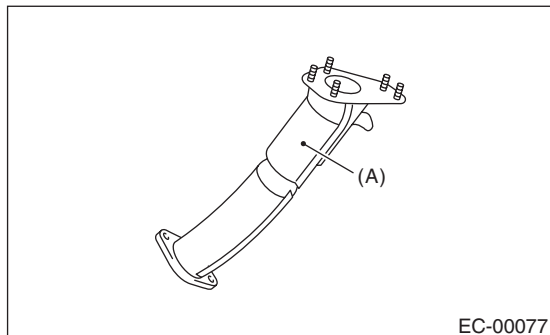
Precatalytic Converter

EMISSION CONTROL (AUX. EMISSION CONTROL DEVICES)

4. Precatalytic Converter

A: REMOVAL

The precatalytic converter is built into the joint pipe. Refer to joint pipe removal for the removal procedures. <Ref. to EX(H4DOTC)-11, REMOVAL, Joint Pipe.>



EC-00077

B: INSTALLATION

Install in the reverse order of removal.

C: INSPECTION

- 1) Check the connections and welds for exhaust leaks.
- 2) Make sure there are no holes or rusting.