

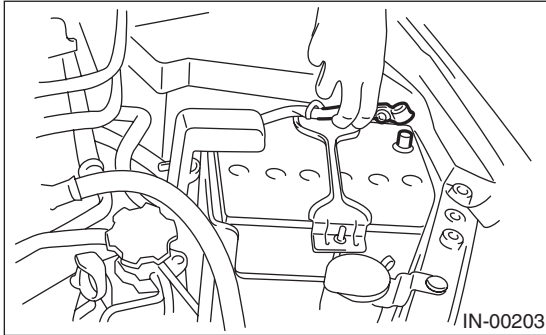
# Canister

EMISSION CONTROL (AUX. EMISSION CONTROL DEVICES)

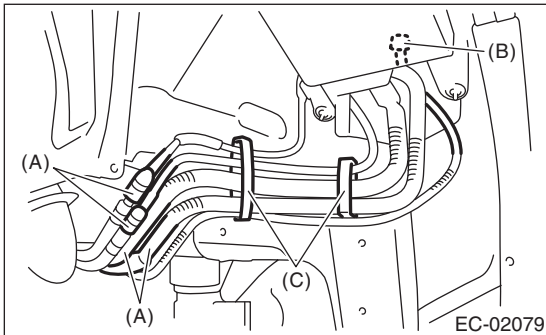
## 5. Canister

### A: REMOVAL

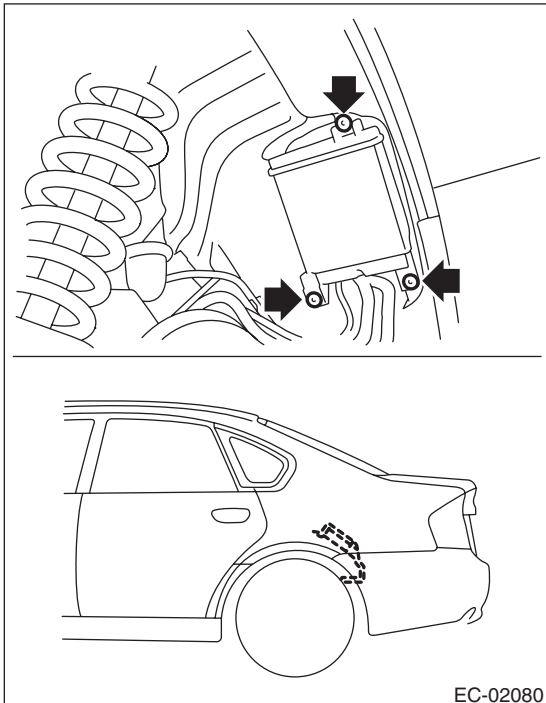
- 1) Disconnect the ground cable from battery.



- 2) Lift-up the vehicle.
- 3) Remove the rear wheel LH.
- 4) Remove the rear mud guard LH.
- 5) Disconnect quick connector (A).
- 6) Disconnect the drain valve connector (B).
- 7) Remove clip (C).



- 8) Remove the canister from body.



### B: INSTALLATION

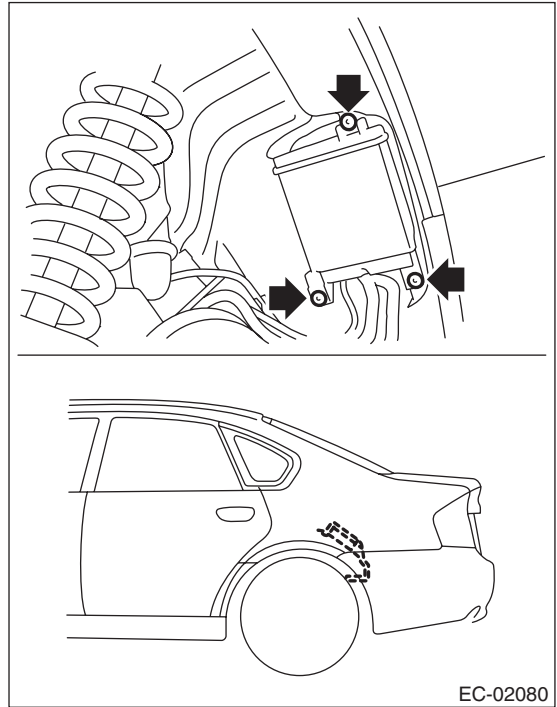
Install in the reverse order of removal.

NOTE:

Check that there is no damage or dust on the quick connector. If necessary, clean the seal surface of the pipe.

**Tightening torque:**

**8 N·m (0.8 kgf-m, 5.9 ft-lb)**



### C: INSPECTION

Make sure the canister and canister hoses are not cracked or loose.