

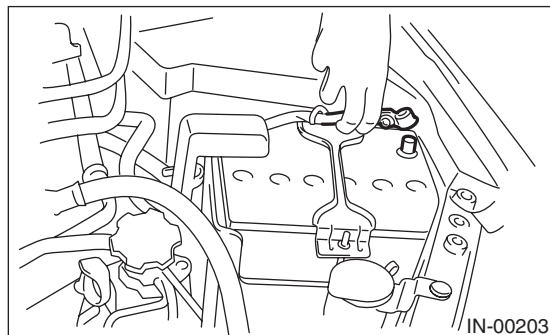
Purge Control Solenoid Valve

EMISSION CONTROL (AUX. EMISSION CONTROL DEVICES)

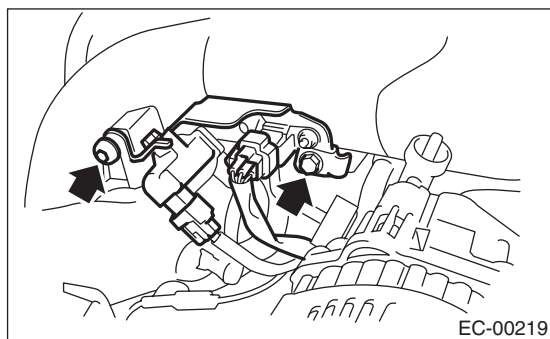
6. Purge Control Solenoid Valve

A: REMOVAL

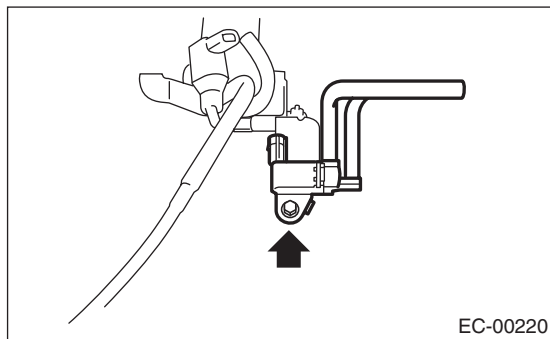
- 1) Remove the collector cover.
- 2) Disconnect the ground cable from battery.



- 3) Remove the solenoid valve bracket assembly from intake manifold.



- 4) Disconnect the connector from purge control solenoid valve.
- 5) Disconnect the evaporation hose from the intake manifold and fuel pipe assembly.
- 6) Remove the purge control solenoid valve from the solenoid valve bracket assembly.

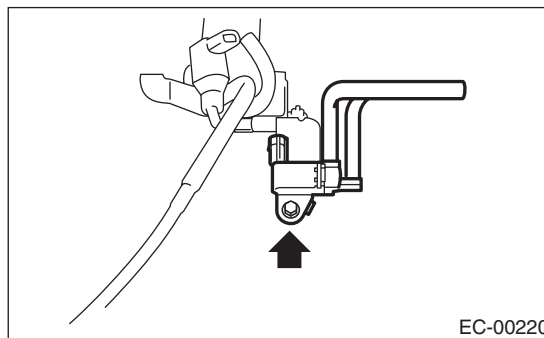


B: INSTALLATION

Install in the reverse order of removal.

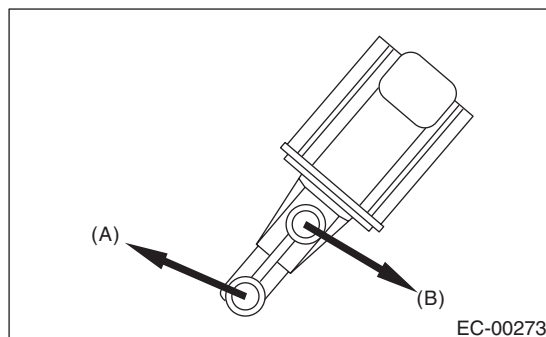
Tightening torque:

19 N·m (1.9 kgf-m, 14 ft-lb)



NOTE:

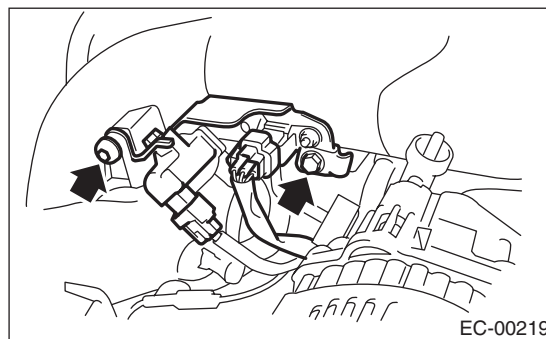
Connect the evaporation hose as shown in the figure.



- (A) To intake manifold
- (B) To fuel pipe ASSY

Tightening torque:

19 N·m (1.9 kgf-m, 14 ft-lb)



C: INSPECTION

Make sure the hoses are not cracked or loose.