

Electrical Component Location

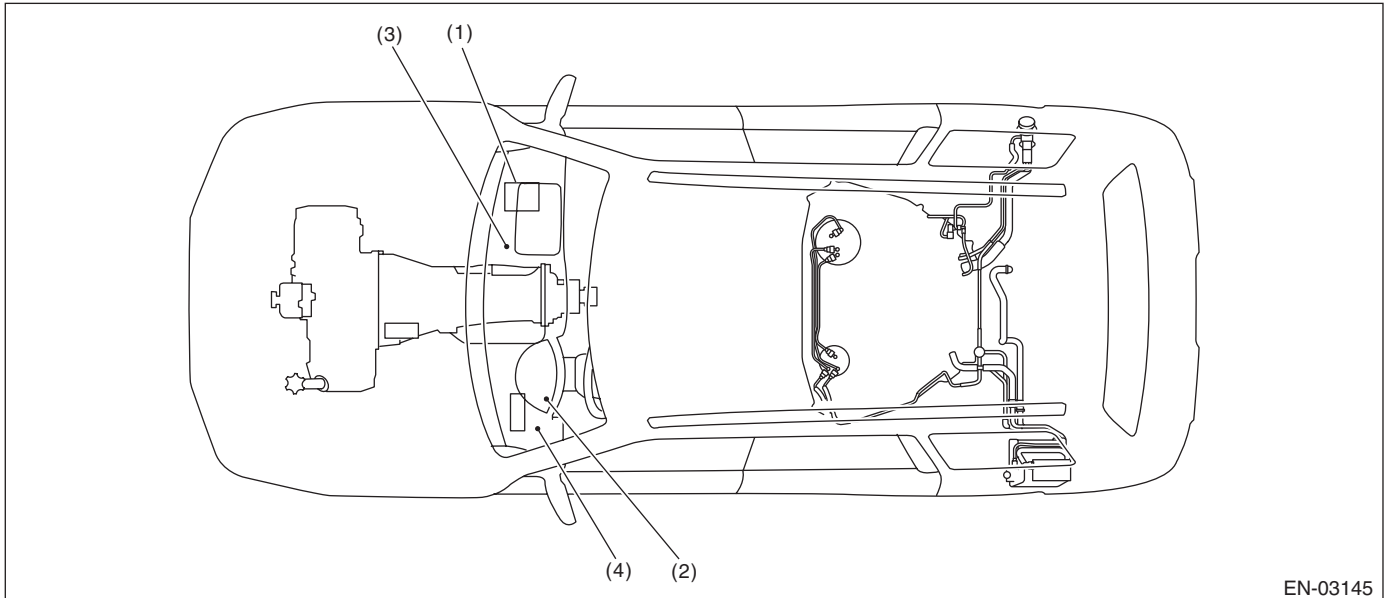
ENGINE (DIAGNOSTICS)

4. Electrical Component Location

A: LOCATION

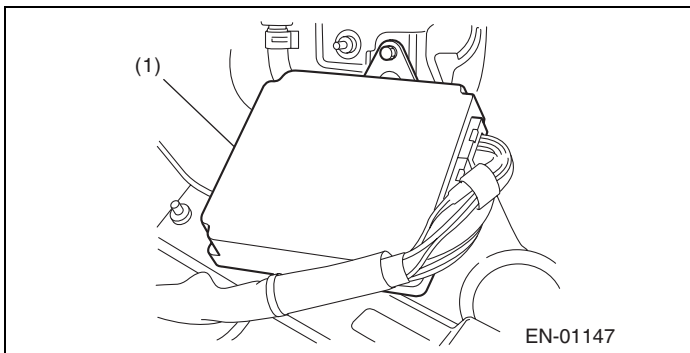
1. ENGINE

- Control module

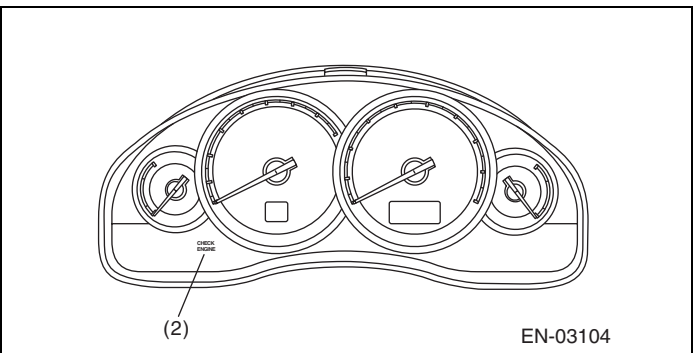


EN-03145

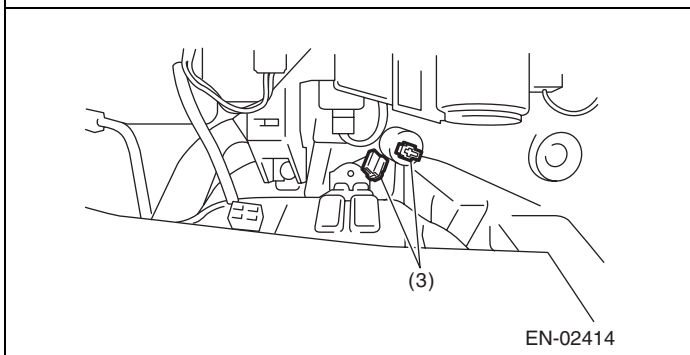
- (1) Engine control module (ECM) (3) Test mode connector (4) Data link connector
(2) Malfunction indicator light



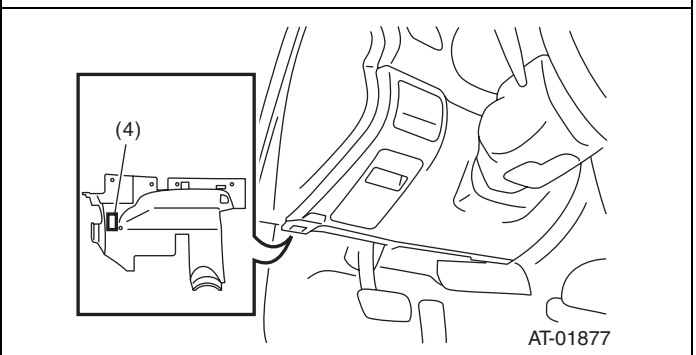
EN-01147



EN-03104



EN-02414

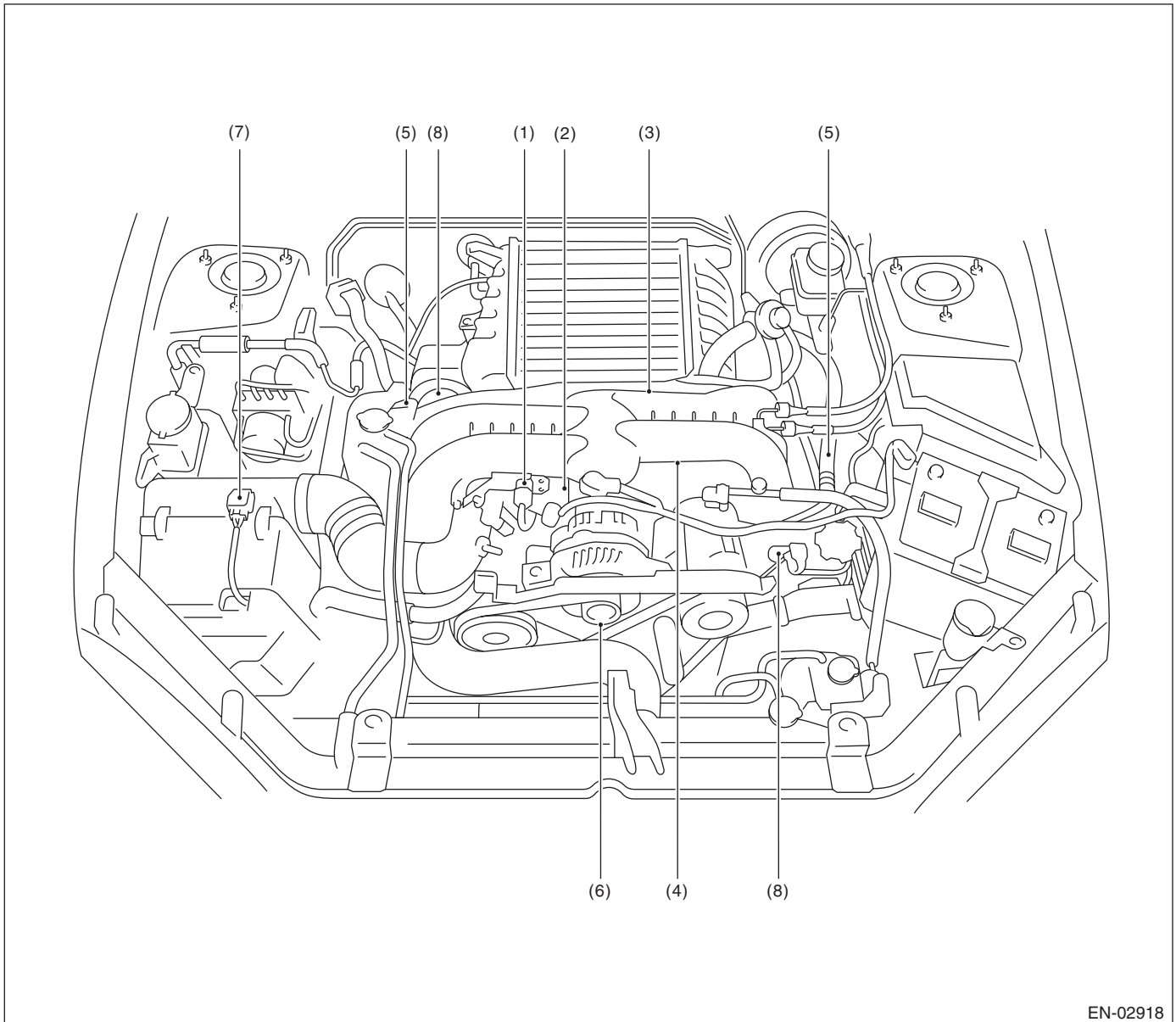


AT-01877

Electrical Component Location

ENGINE (DIAGNOSTICS)

- Sensor

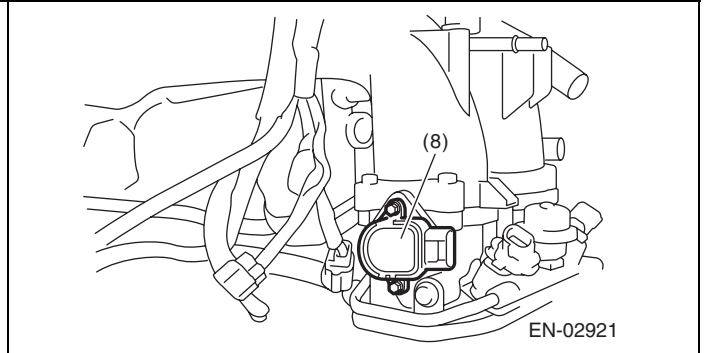
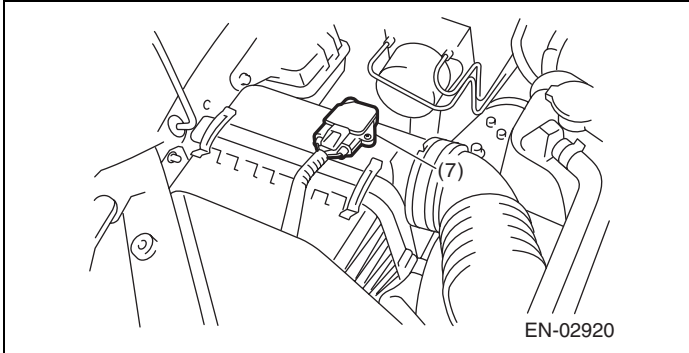
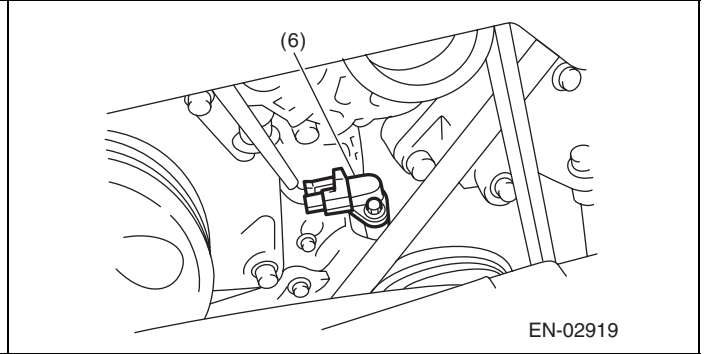
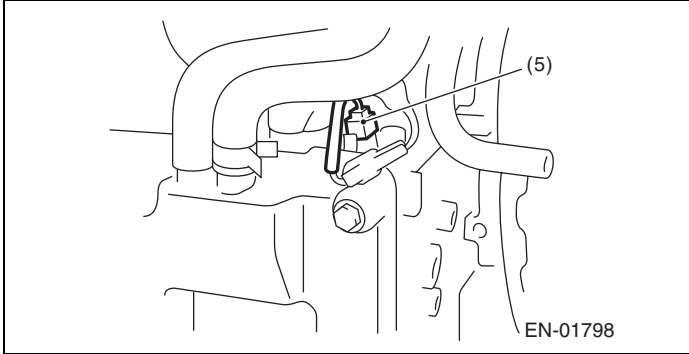
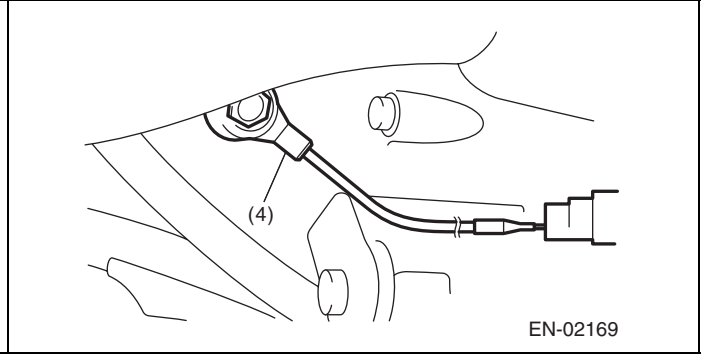
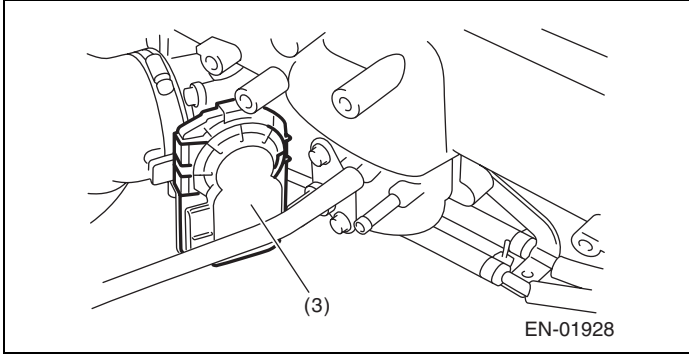
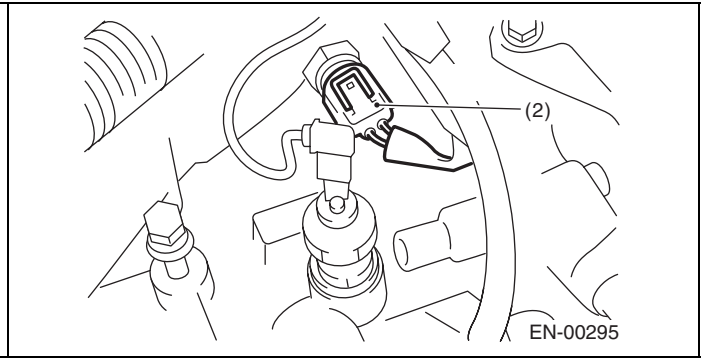
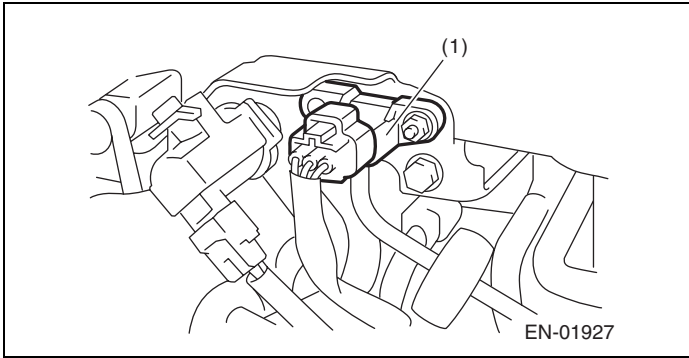


EN-02918

- | | | |
|---------------------------------------|---------------------------------|--|
| (1) Manifold absolute pressure sensor | (3) Electronic throttle control | (7) Air flow and intake air temperature sensor |
| (2) Engine coolant temperature sensor | (4) Knock sensor | (8) Tumble generator valve position sensor |
| (5) Intake camshaft position sensor | (6) Crankshaft position sensor | |

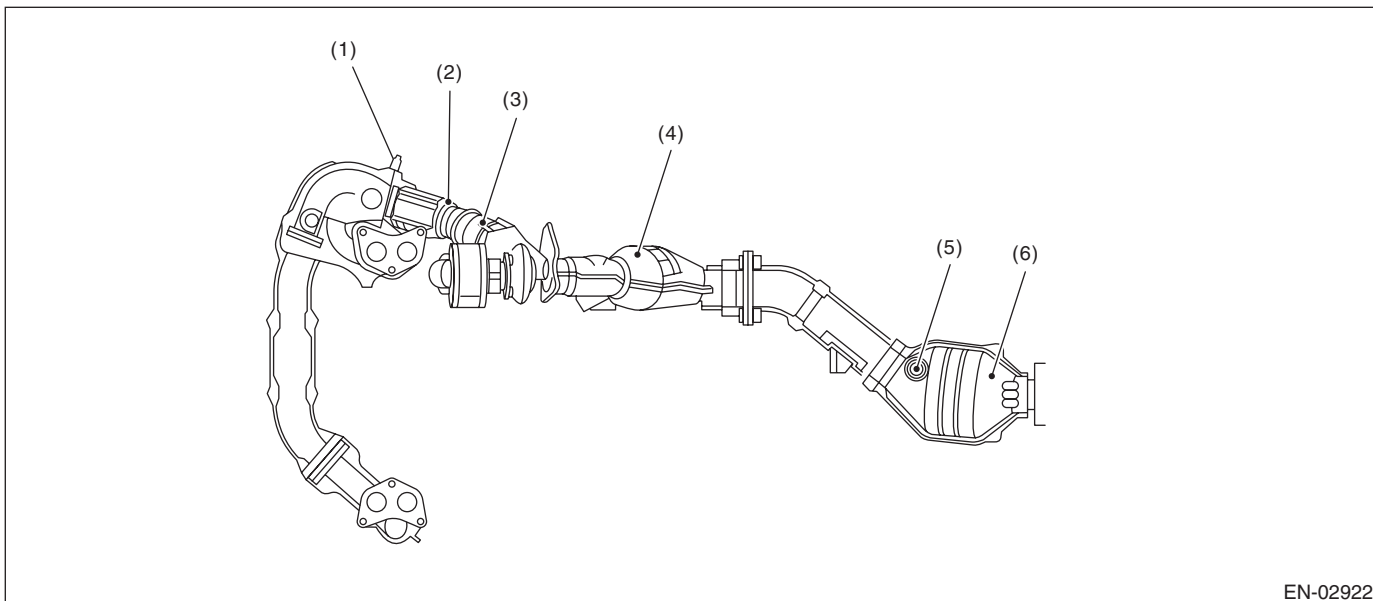
Electrical Component Location

ENGINE (DIAGNOSTICS)

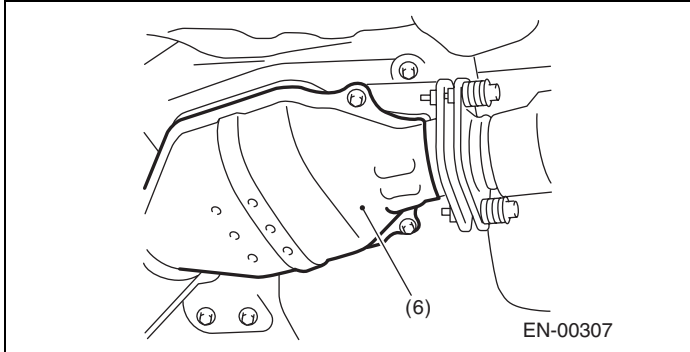
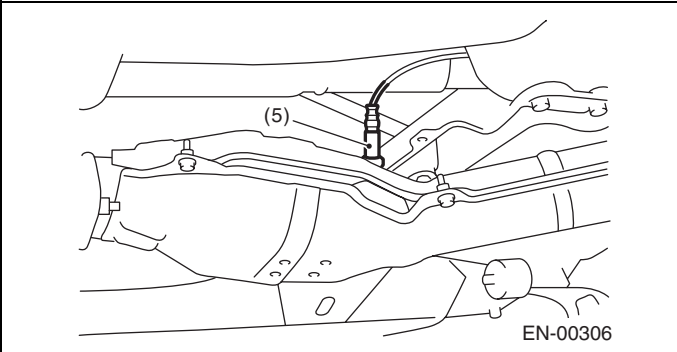
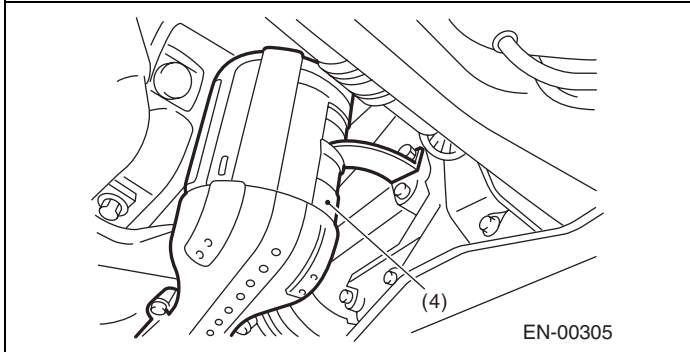
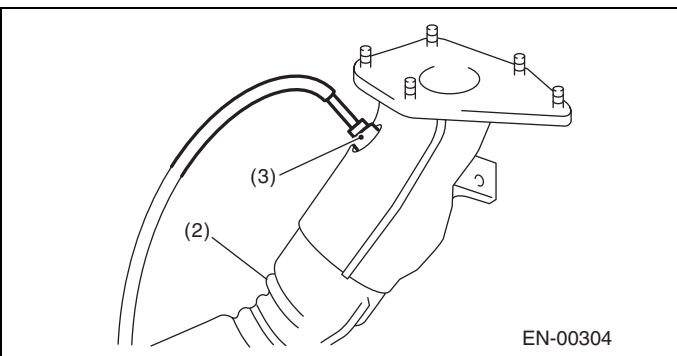
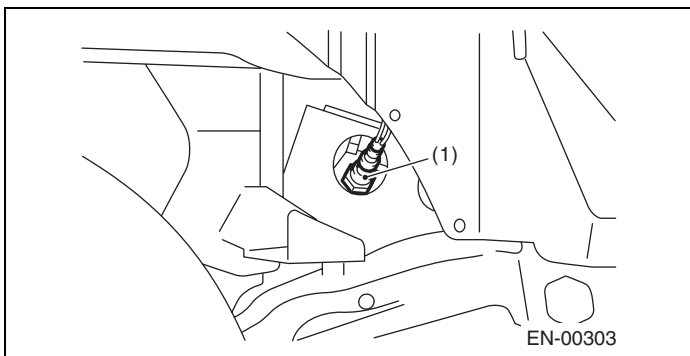


Electrical Component Location

ENGINE (DIAGNOSTICS)

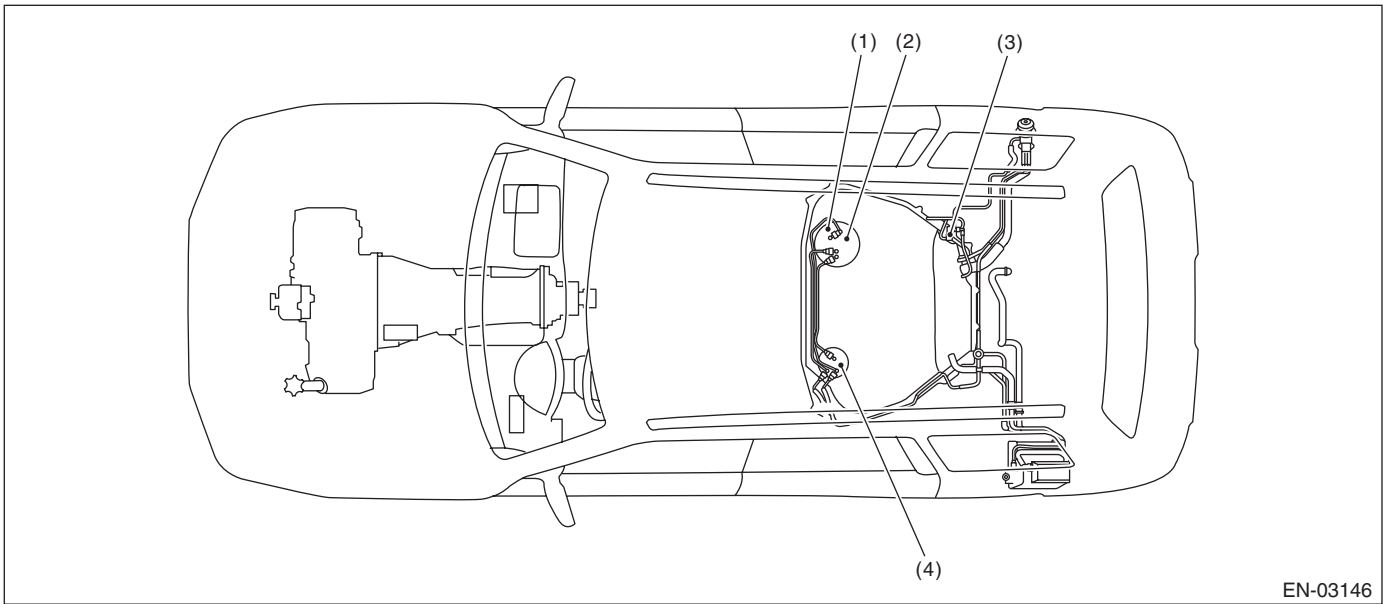


- | | | |
|-------------------------------|--------------------------------|------------------------------|
| (1) Front oxygen (A/F) sensor | (3) Exhaust temperature sensor | (5) Rear oxygen sensor |
| (2) Precatalytic converter | (4) Front catalytic converter | (6) Rear catalytic converter |



Electrical Component Location

ENGINE (DIAGNOSTICS)

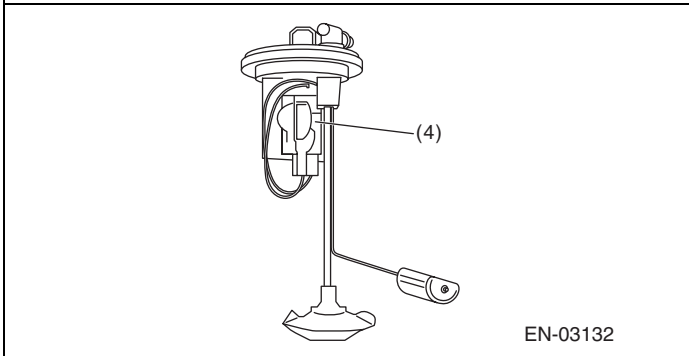
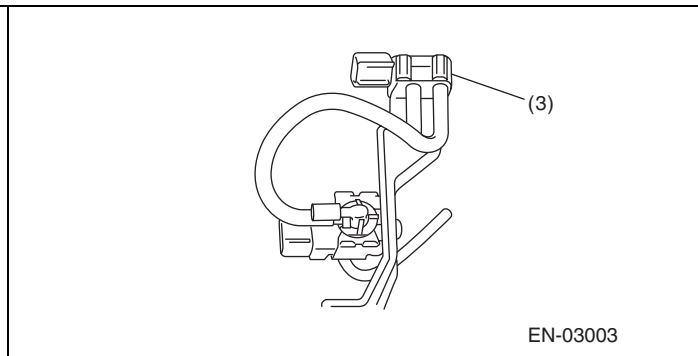
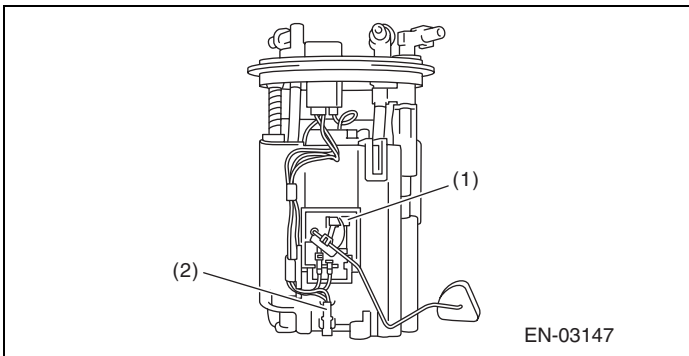


(1) Fuel level sensor

(3) Fuel tank pressure sensor

(4) Fuel sub level sensor

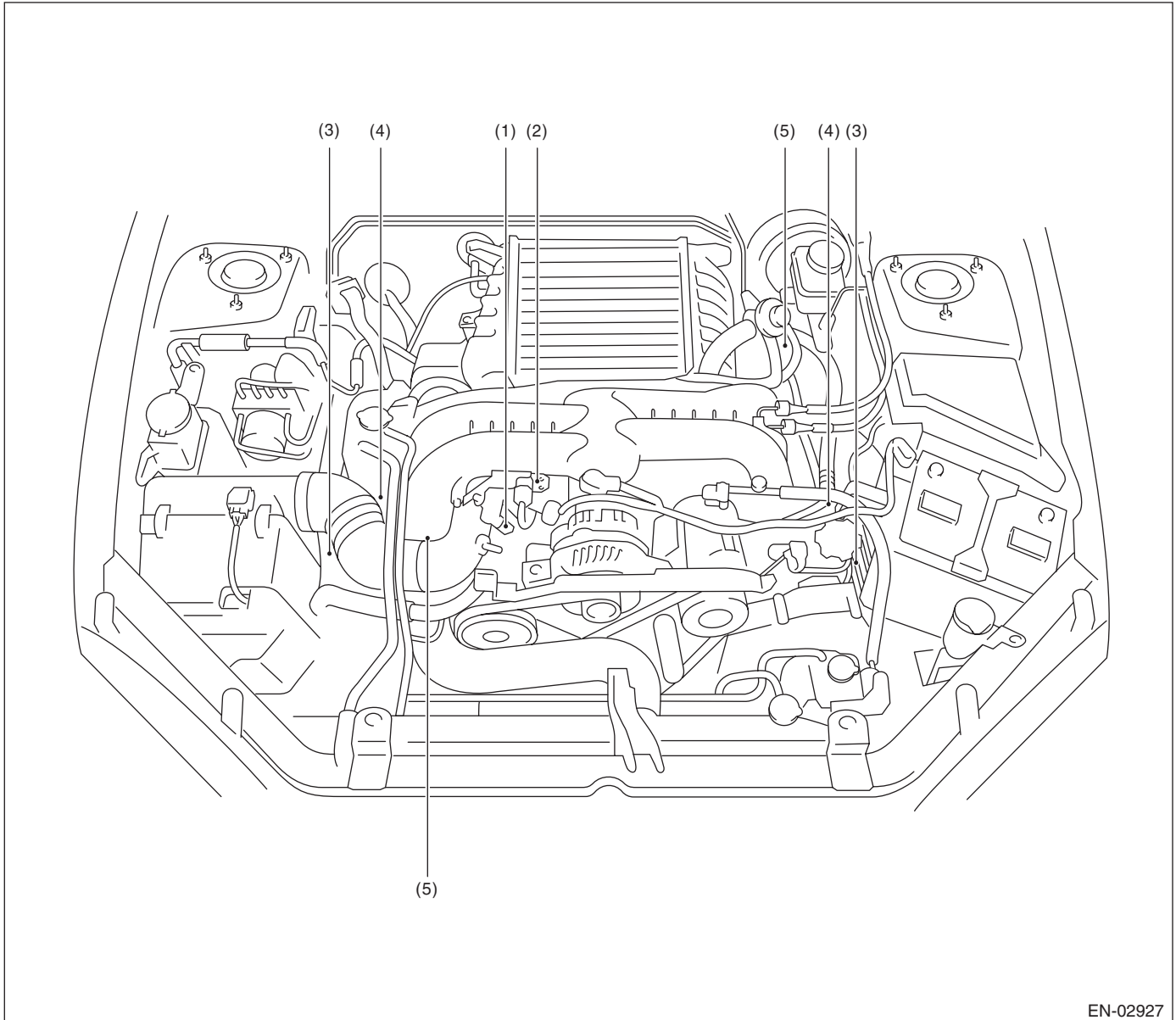
(2) Fuel temperature sensor



Electrical Component Location

ENGINE (DIAGNOSTICS)

- Solenoid valve, actuator, emission control system parts and ignition system parts

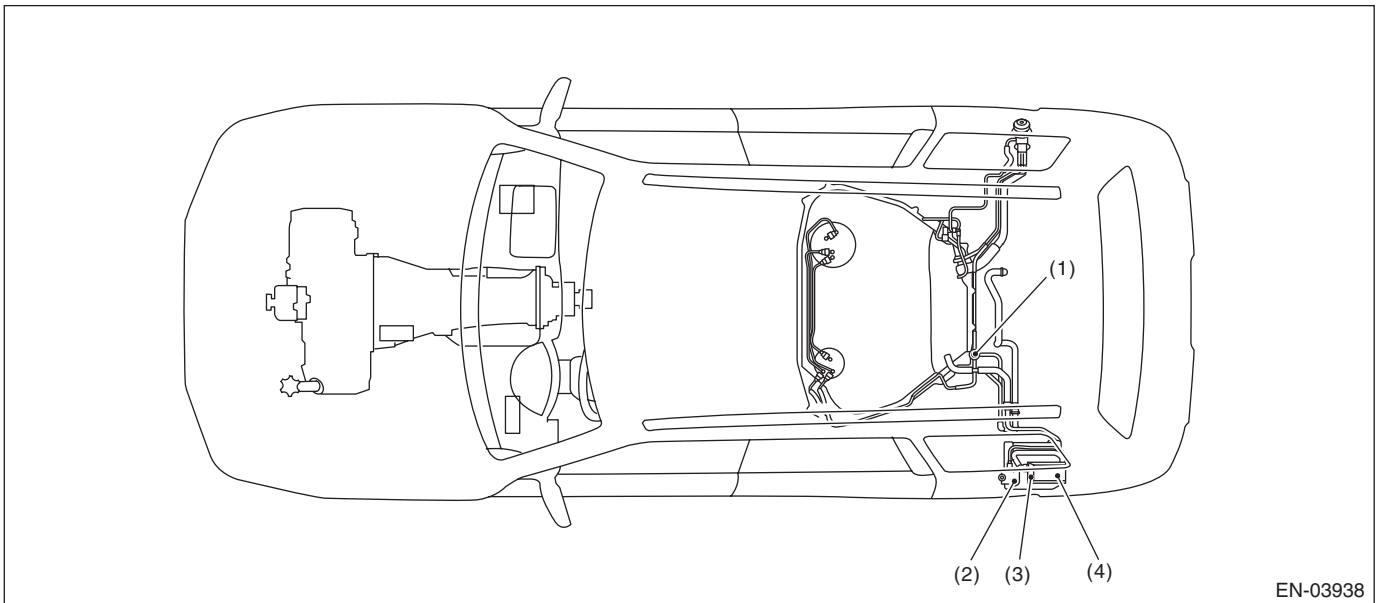
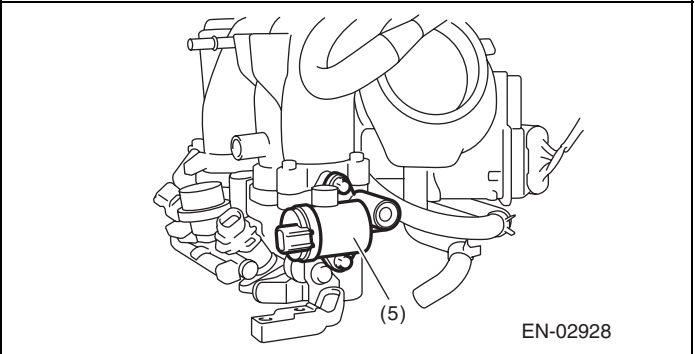
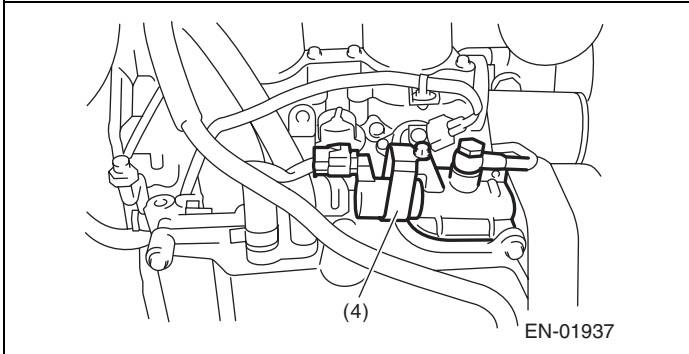
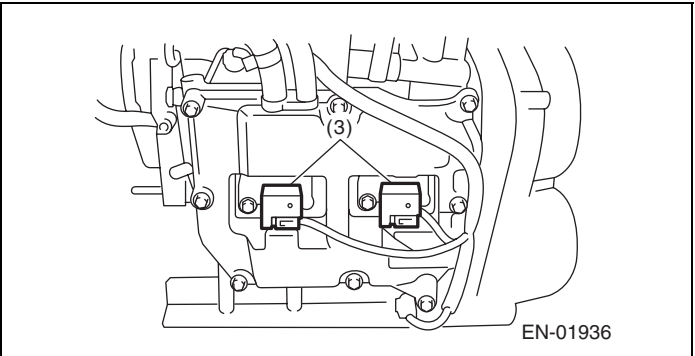
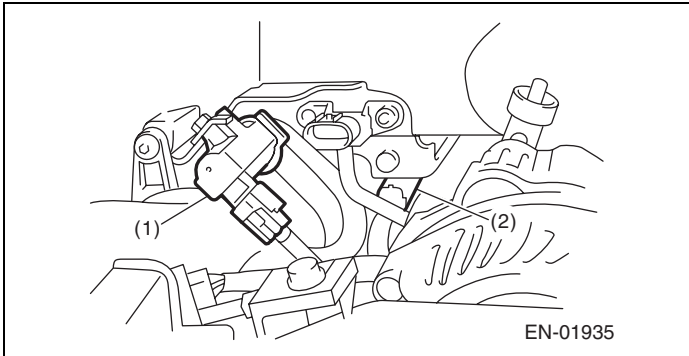


EN-02927

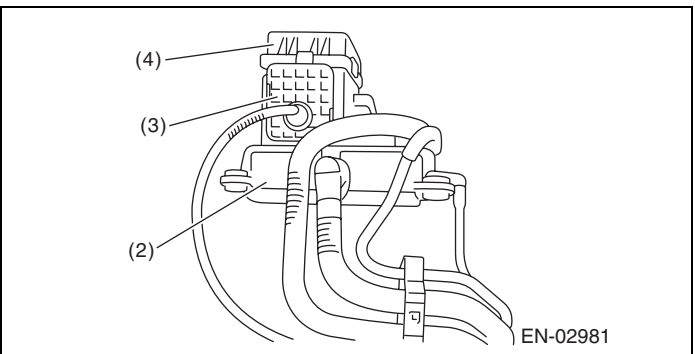
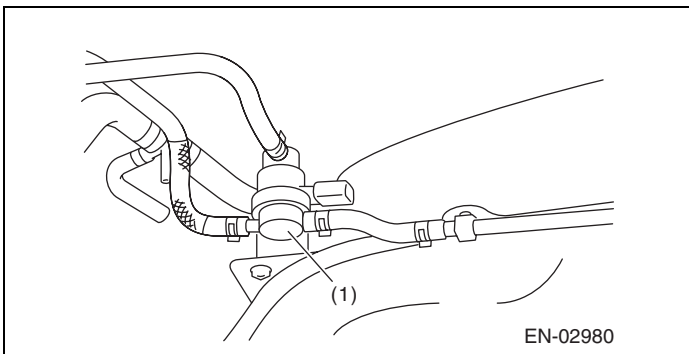
- | | | |
|--------------------------------------|--|-------------------------------------|
| (1) Wastegate control solenoid valve | (4) Intake oil flow control solenoid valve | (5) Tumble generator valve actuator |
| (2) Purge control solenoid valve | | |
| (3) Ignition coil | | |

Electrical Component Location

ENGINE (DIAGNOSTICS)

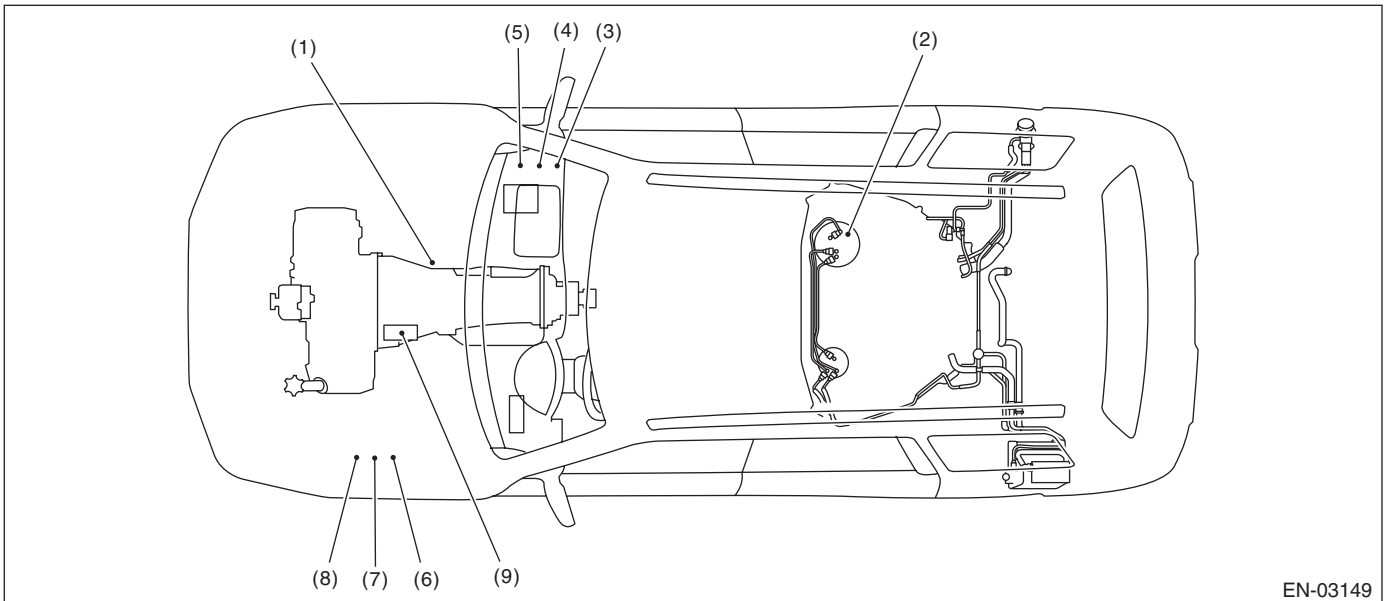


- (1) Pressure control solenoid valve
- (2) Canister
- (3) Drain valve
- (4) Drain filter



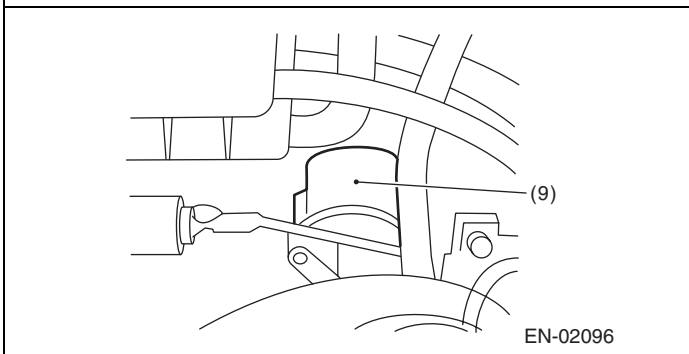
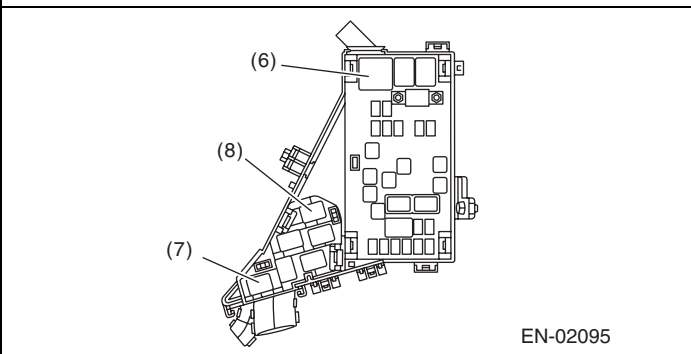
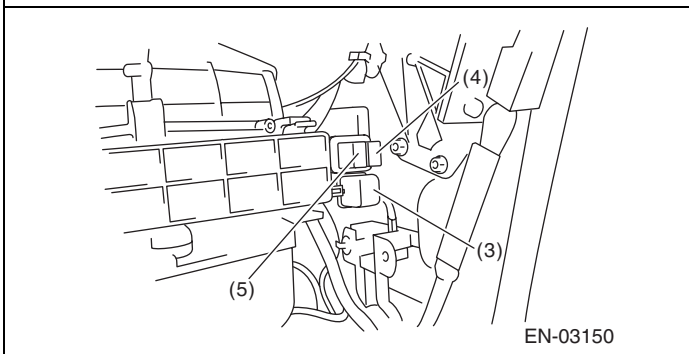
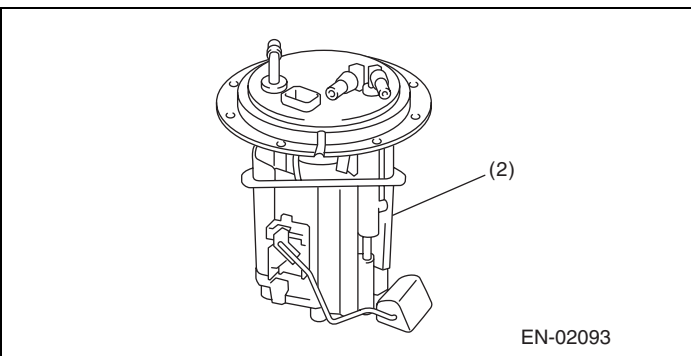
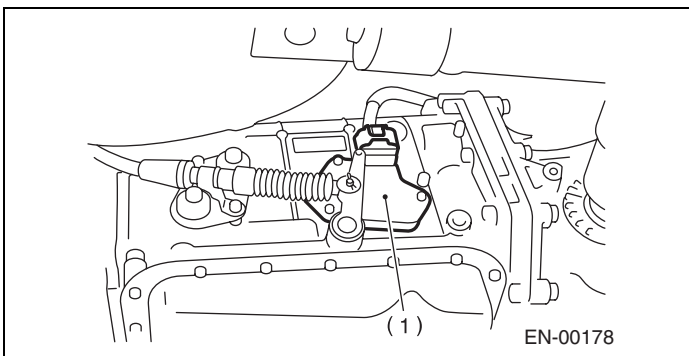
Electrical Component Location

ENGINE (DIAGNOSTICS)



EN-03149

- | | | |
|----------------------|---------------------------------------|-------------------------------|
| (1) Inhibitor switch | (4) Fuel pump relay | (7) Radiator sub fan relay |
| (2) Fuel pump | (5) Electronic throttle control relay | (8) Radiator main fan relay 2 |
| (3) Main relay | (6) Radiator main fan relay 1 | (9) Starter |



SUBARU.