

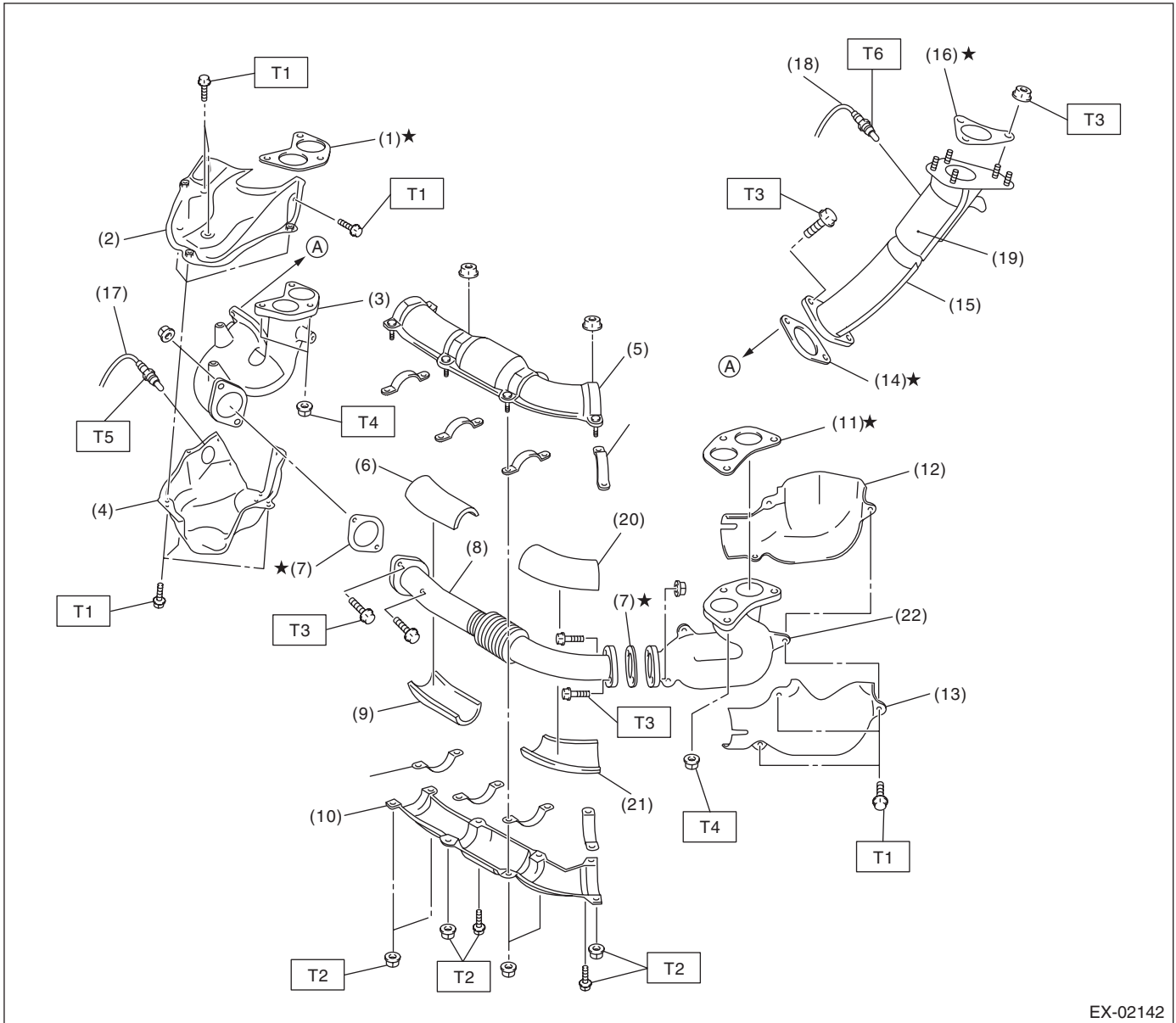
General Description

EXHAUST

1. General Description

A: COMPONENT

1. FRONT EXHAUST PIPE



EX-02142

General Description

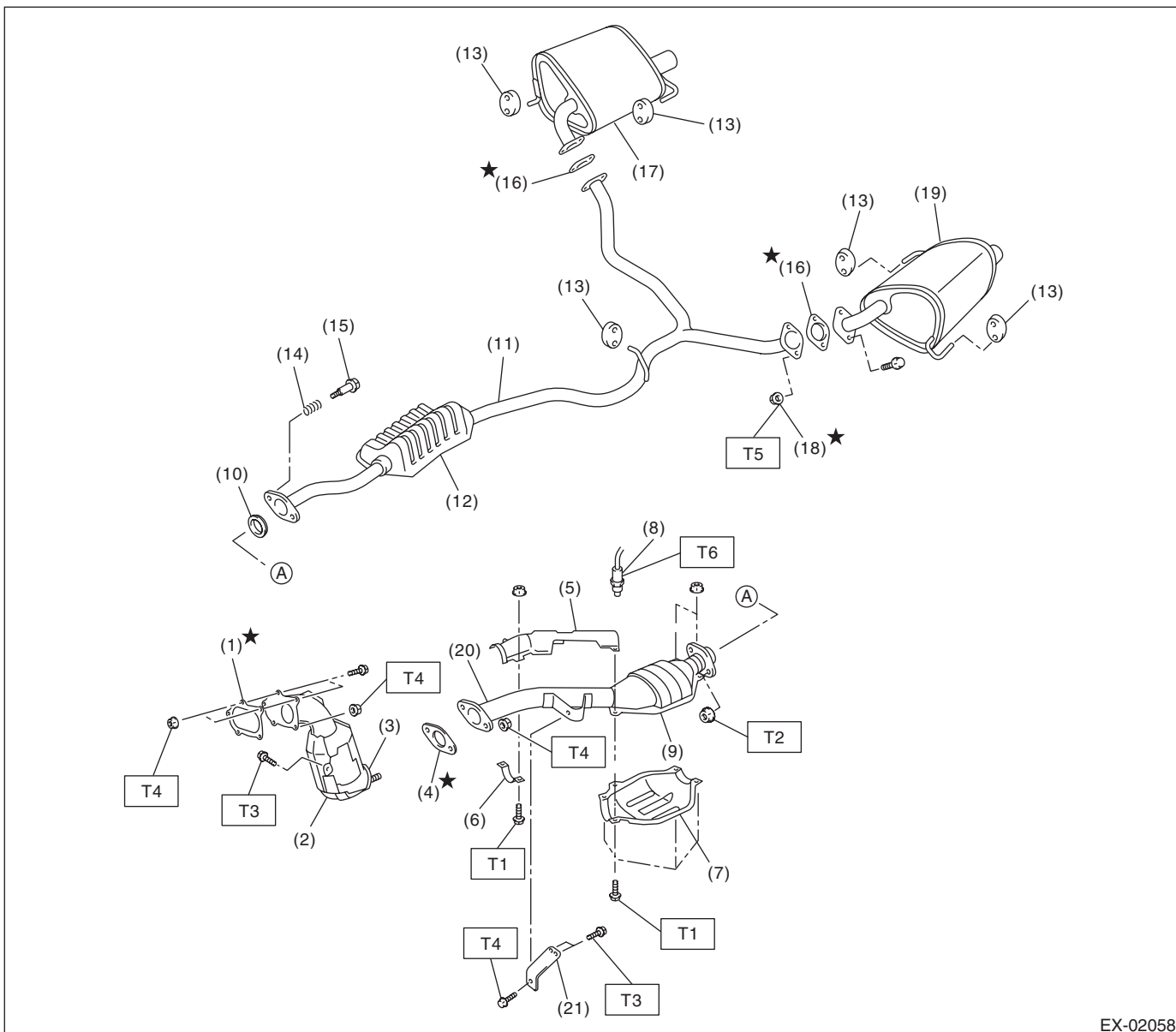
EXHAUST

(1) Gasket	(11) Gasket	(22) Exhaust manifold (LH)
(2) Exhaust manifold upper cover (RH)	(12) Exhaust manifold upper cover (LH)	
(3) Exhaust manifold (RH)	(13) Exhaust manifold lower cover (LH)	Tightening torque: N·m (kgf·m, ft·lb)
(4) Exhaust manifold lower cover (RH)	(14) Gasket	T1: 19 (1.9, 13.7)
(5) Front exhaust pipe upper cover	(15) Turbocharger joint pipe	T2: 7.5 (0.8, 5.5)
(6) Front exhaust pipe upper insulator (RH)	(16) Gasket	T3: 35 (3.6, 26.0)
(7) Gasket	(17) Front oxygen (A/F) sensor	T4: 40 (4, 28.9)
(8) Front exhaust pipe	(18) Exhaust temperature sensor	T5: <Ref. to FU(H4DOTC)-34, INSTALLATION, Front Oxygen (A/F) Sensor.>
(9) Front exhaust pipe lower insulator (RH)	(19) Precatalytic converter	
(10) Front exhaust pipe lower cover	(20) Front exhaust pipe upper insulator (LH)	T6: <Ref. to FU(H4DOTC)-37, INSTALLATION, Exhaust Temperature Sensor.>
	(21) Front exhaust pipe lower insulator (LH)	

General Description

EXHAUST

2. CENTER AND REAR EXHAUST PIPE, AND MUFFLER



EX-02058

- | | |
|--|---------------------------------|
| (1) Gasket | (11) Rear exhaust pipe |
| (2) Front catalytic converter | (12) Chamber |
| (3) Center exhaust pipe (Front) | (13) Cushion rubber |
| (4) Gasket | (14) Spring |
| (5) Center pipe upper cover (Rear) | (15) Bolt |
| (6) Clamp | (16) Gasket |
| (7) Rear catalytic converter lower cover | (17) Muffler (RH) |
| (8) Rear oxygen sensor | (18) Self-locking nut |
| (9) Rear catalytic converter | (19) Muffler (LH) |
| (10) Gasket | (20) Center exhaust pipe (Rear) |
| | (21) Bracket |

Tightening torque: N-m (kgf-m, ft-lb)

T1: 13 (1.3, 9.6)

T2: 18 (1.8, 13.0)

T3: 30 (3.1, 22.4)

T4: 35 (3.6, 26.0)

T5: 48 (4.9, 35.4)

T6: <Ref. to FU(H4DOTC)-36, INSTALLATION, Rear Oxygen Sensor.>

B: CAUTION

- Wear appropriate work clothing, including a cap, protective goggles and protective shoes when performing any work.
- Remove contamination including dirt and corrosion before removal, installation or disassembly.
- Keep the disassembled parts in order and protect them from dust and dirt.
- Before removal, installation or disassembly, be sure to clarify the failure. Avoid unnecessary removal, installation, disassembly and replacement.
- Vehicle components are extremely hot after driving. Be wary of receiving burns from heated parts.
- Be sure to tighten fasteners including bolts and nuts to the specified torque.
- Place shop jacks or rigid racks at the specified points.
- Before disconnecting connectors of sensors or units, be sure to disconnect the ground cable from battery.