

Tumble Generator Valve Actuator

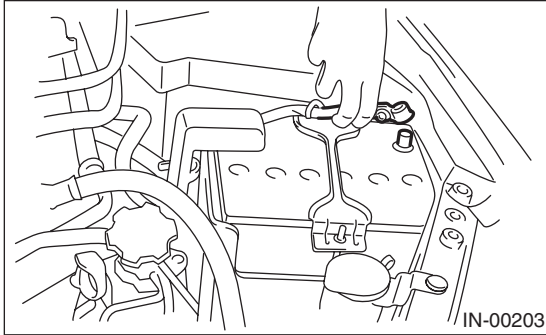
FUEL INJECTION (FUEL SYSTEMS)

13. Tumble Generator Valve Actuator

A: REMOVAL

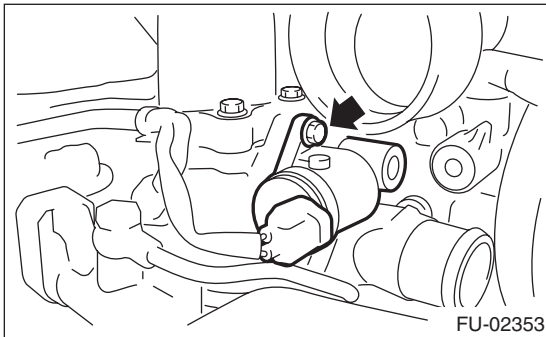
1. RH SIDE

1) Disconnect the ground cable from battery.



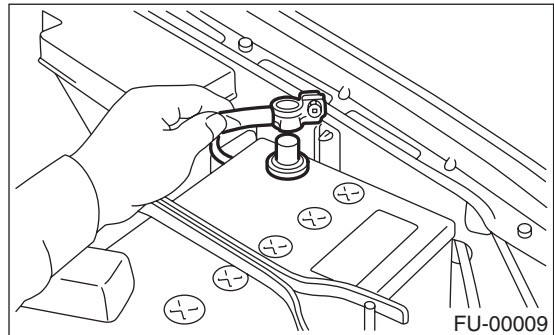
2) Disconnect the connector from the tumble generator valve actuator RH.

3) Remove the tumble generator valve actuator RH.



2. LH SIDE

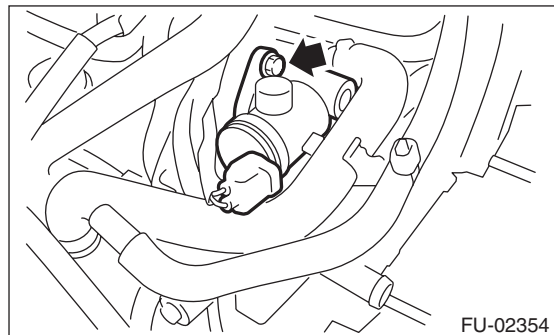
1) Disconnect the ground cable from battery.



2) Remove the intercooler. <Ref. to IN(H4DOTC)-12, REMOVAL, Intercooler.>

3) Disconnect the connector from tumble generator valve actuator LH.

4) Remove the tumble generator valve actuator LH.



B: INSTALLATION

1. RH SIDE

Install in the reverse order of removal.

2. LH SIDE

Install in the reverse order of removal.