

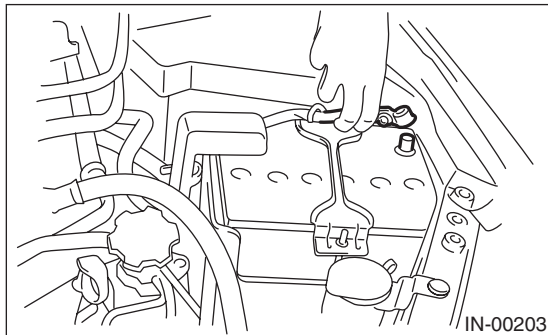
Purge Control Solenoid Valve

EMISSION CONTROL (AUX. EMISSION CONTROL DEVICES)

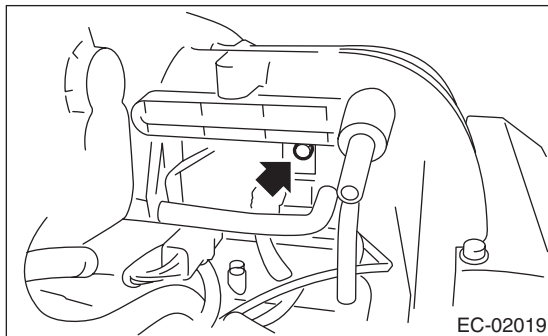
5. Purge Control Solenoid Valve

A: REMOVAL

- 1) Remove the collector cover.
- 2) Disconnect the ground cable from battery.



- 3) Remove the air intake chamber.
<Ref. to IN(H6DO)-7, REMOVAL, Air Intake Chamber.>
- 4) Disconnect the connector and hoses of purge control solenoid valve, and then remove the purge control solenoid valve.

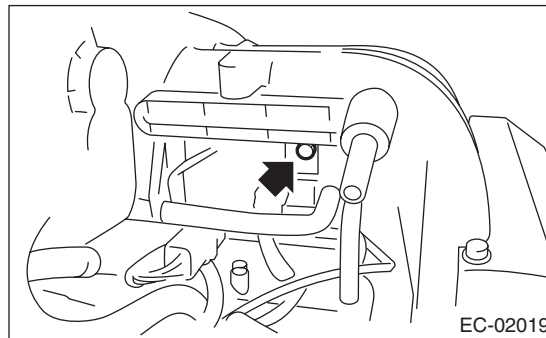


B: INSTALLATION

Install in the reverse order of removal.

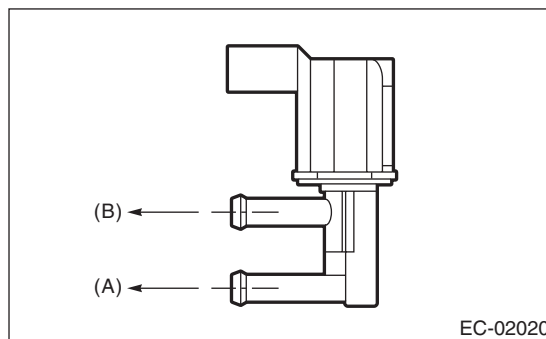
Tightening torque:

19 N·m (1.9 kgf-m, 14.0 ft-lb)



NOTE:

Connect the evaporation hose as shown in the figure.



- (A) To fuel pipe (evaporation line)
- (B) To intake manifold

C: INSPECTION

Make sure the hoses are not cracked or loose.