

# Electrical Component Location

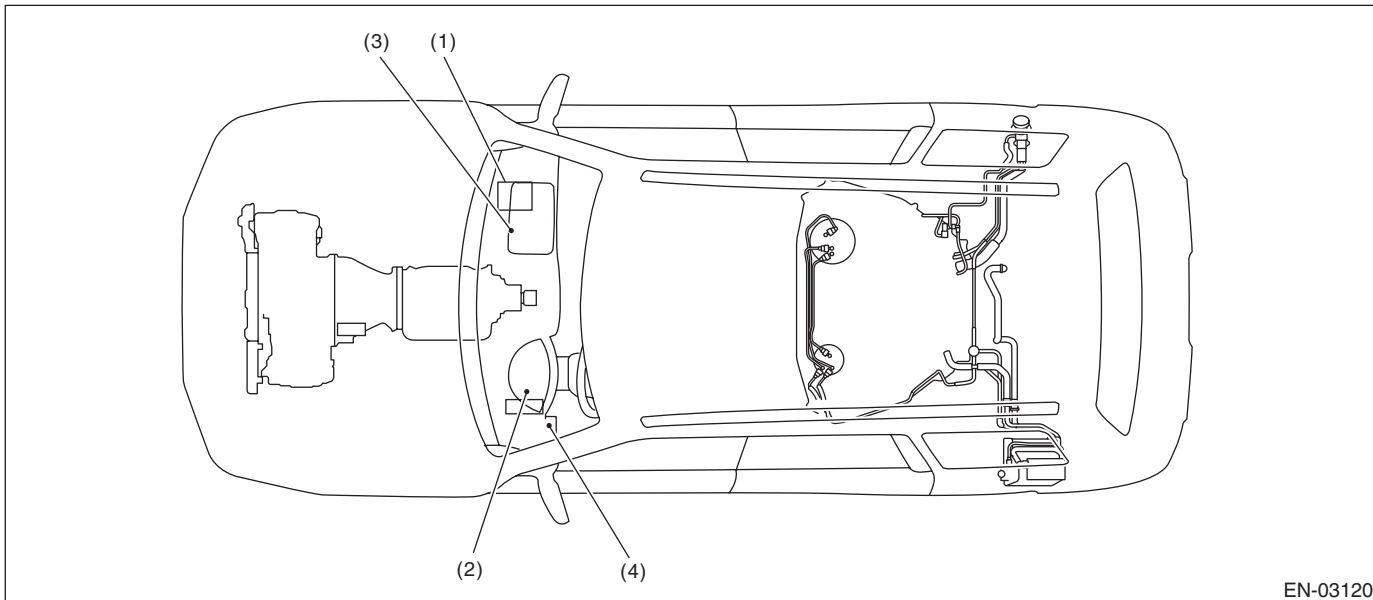
ENGINE (DIAGNOSTICS)

## 4. Electrical Component Location

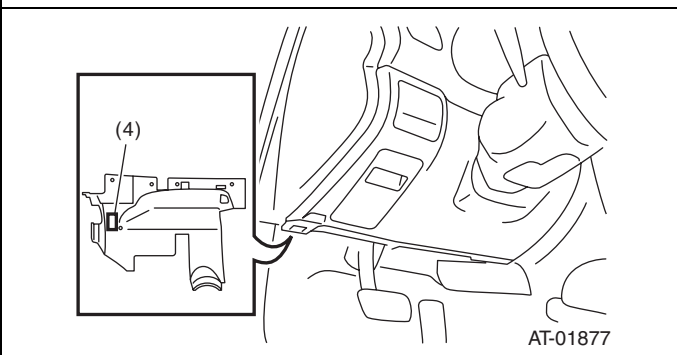
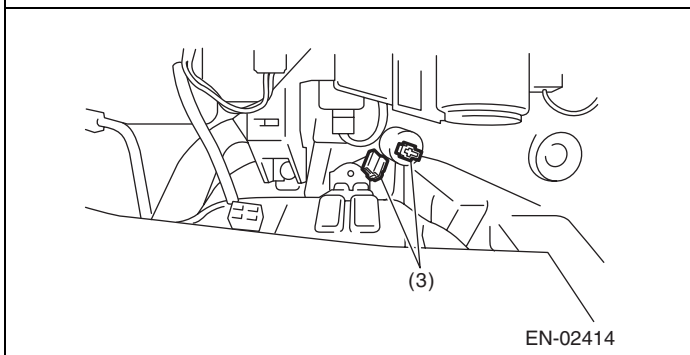
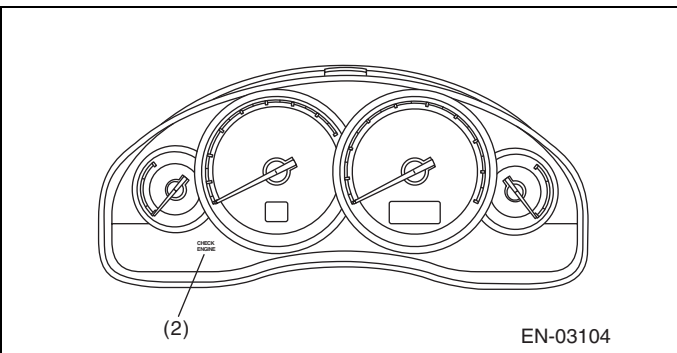
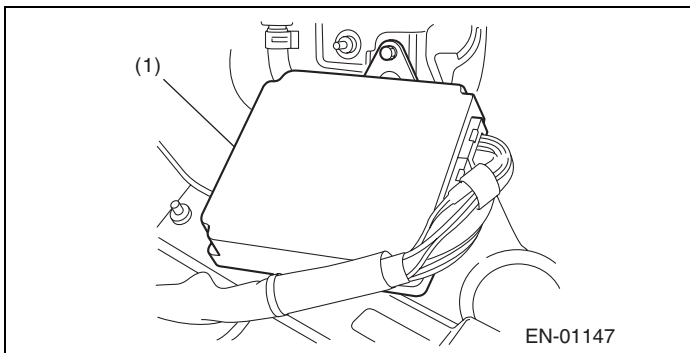
### A: LOCATION

#### 1. ENGINE

- Control module



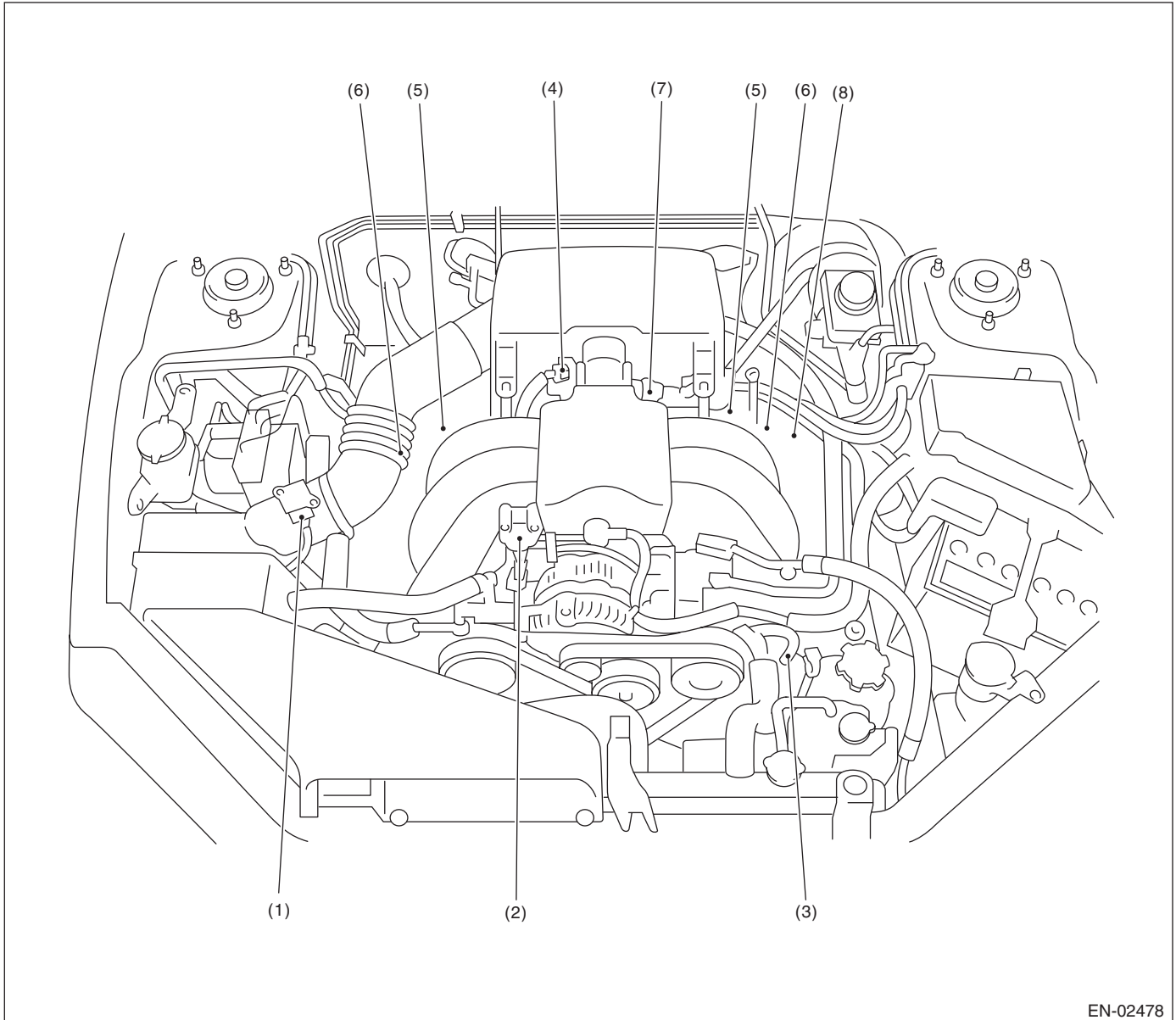
- (1) Engine control module (ECM)      (3) Test mode connector      (4) Data link connector  
(2) Malfunction indicator light



# Electrical Component Location

ENGINE (DIAGNOSTICS)

- Sensor

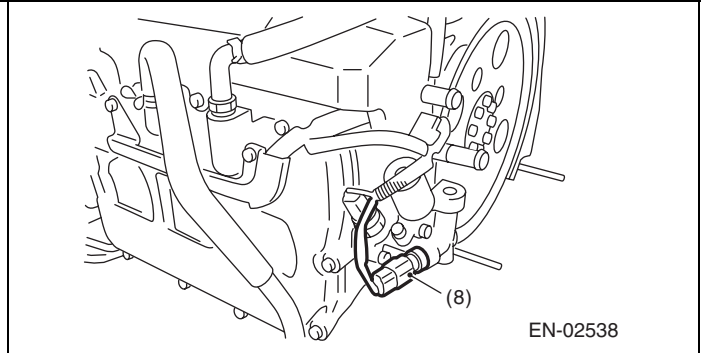
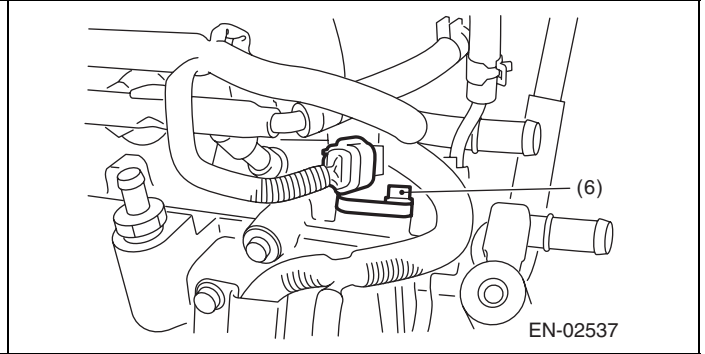
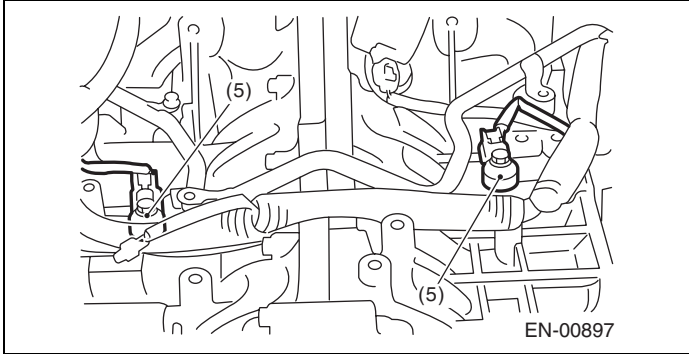
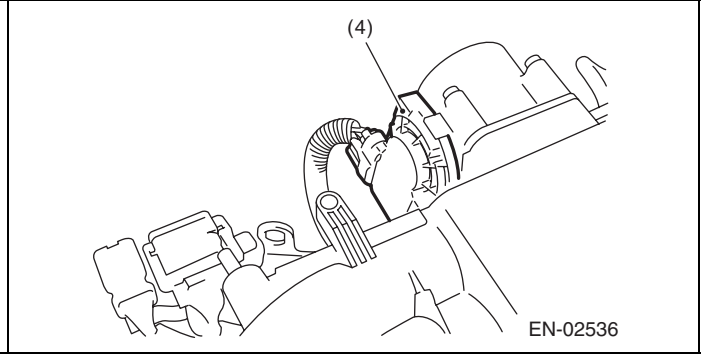
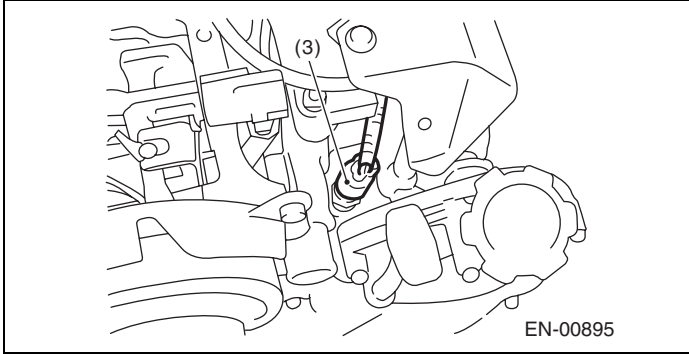
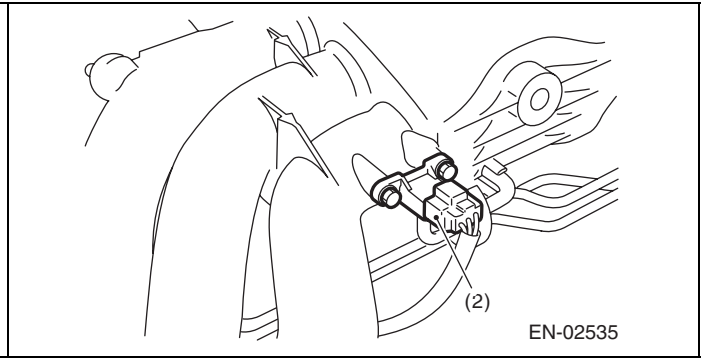
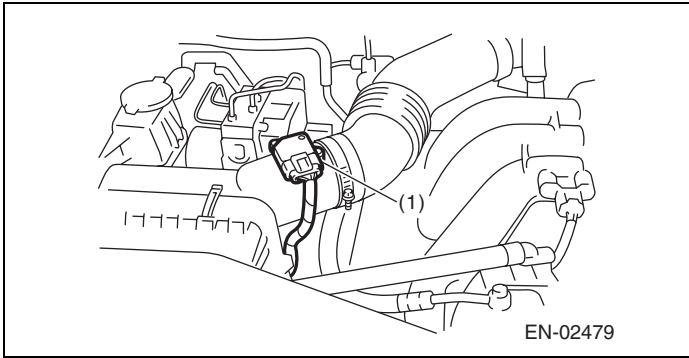


EN-02478

- |   |                                 |                                |
|---|---------------------------------|--------------------------------|
| (1) Mass air flow and intake air temperature sensor | (4) Electronic throttle control | (7) Crankshaft position sensor |
| (2) Manifold absolute pressure sensor               | (5) Knock sensor                | (8) Oil temperature sensor     |
| (3) Engine coolant temperature sensor               | (6) Camshaft position sensor    |                                |

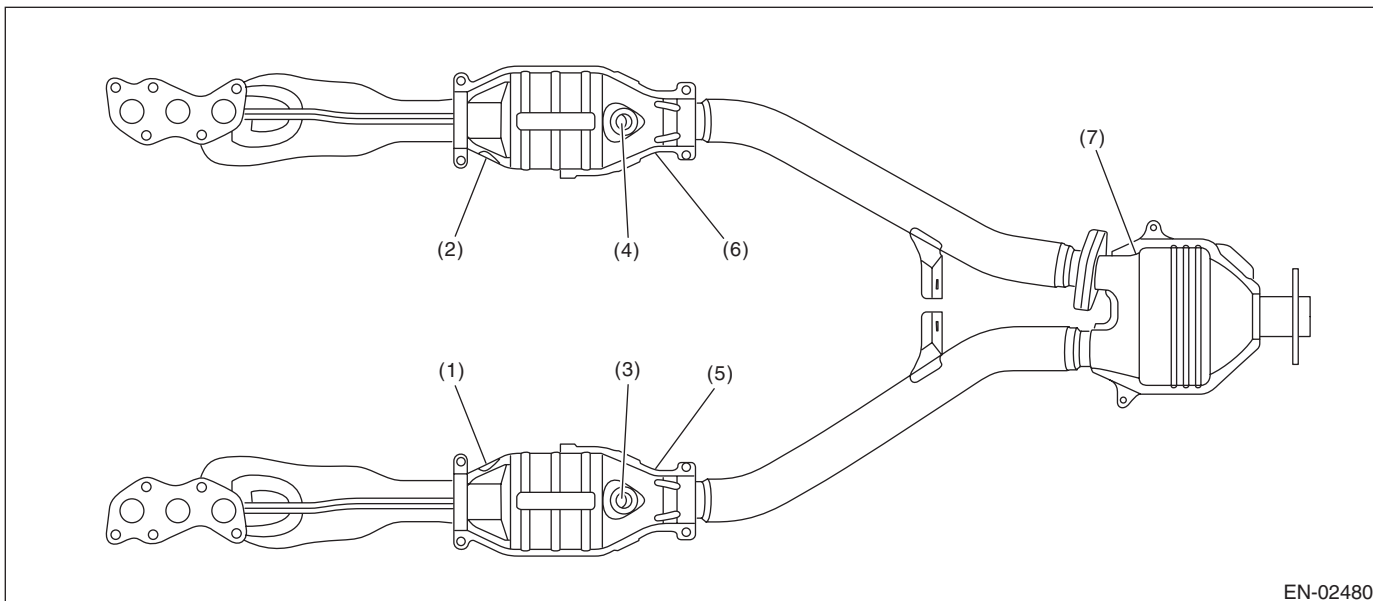
# Electrical Component Location

## ENGINE (DIAGNOSTICS)

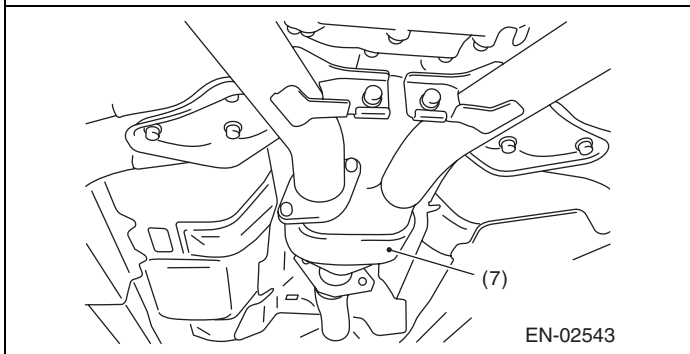
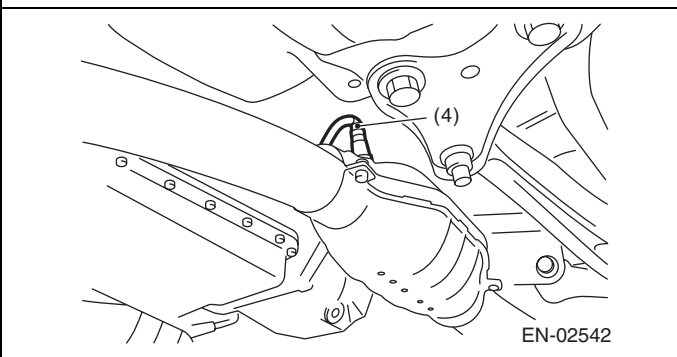
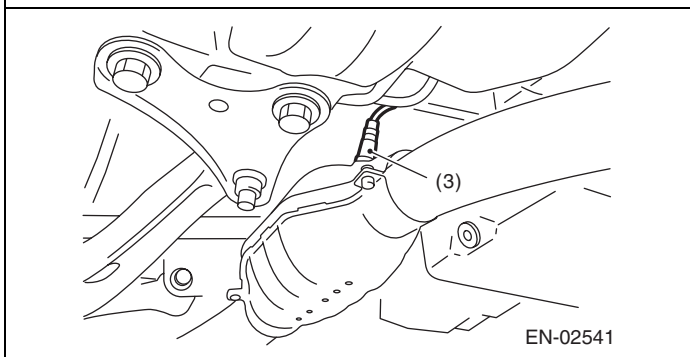
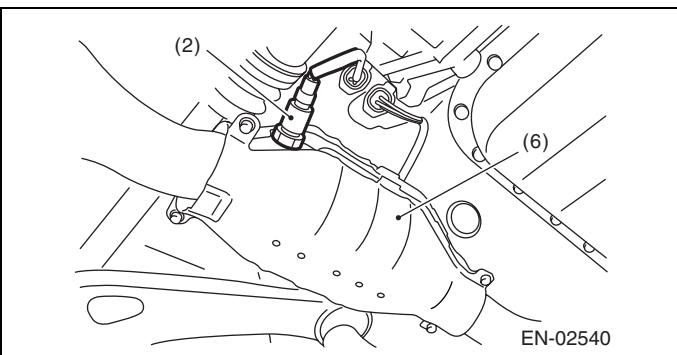
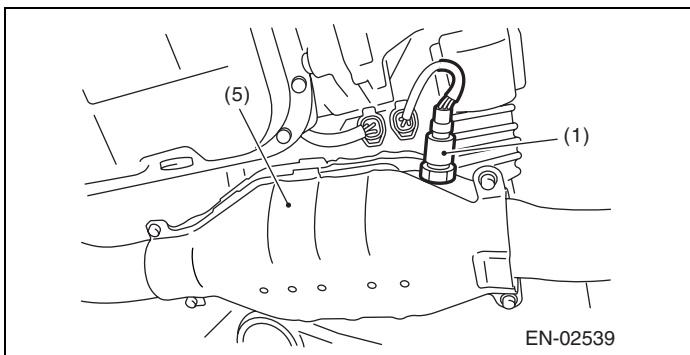


# Electrical Component Location

ENGINE (DIAGNOSTICS)

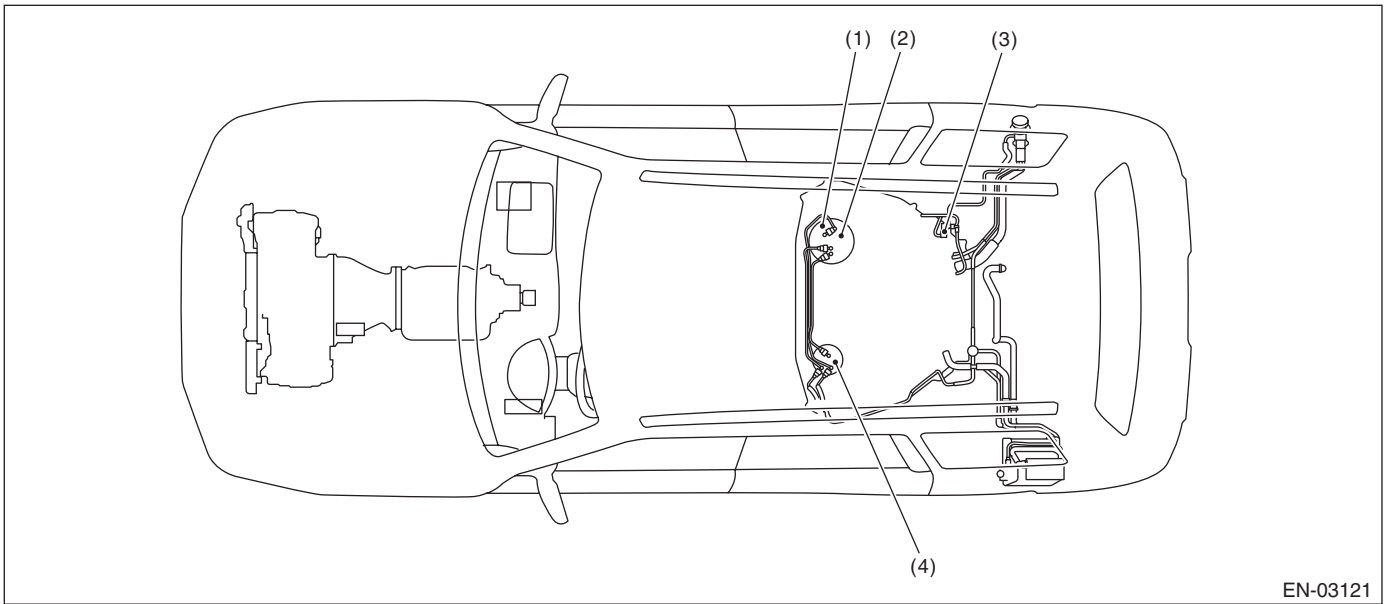


- |                                  |                                  |                                  |
|----------------------------------|----------------------------------|----------------------------------|
| (1) Front oxygen (A/F) sensor LH | (4) Rear oxygen sensor RH        | (6) Front catalytic converter RH |
| (2) Front oxygen (A/F) sensor RH | (5) Front catalytic converter LH | (7) Rear catalytic converter     |
| (3) Rear oxygen sensor LH        |                                  |                                  |



# Electrical Component Location

## ENGINE (DIAGNOSTICS)



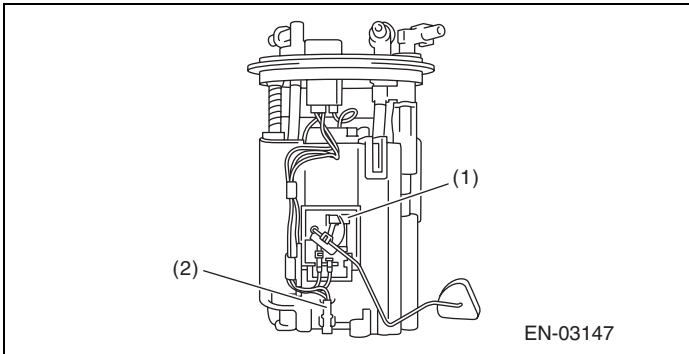
EN-03121

(1) Fuel level sensor

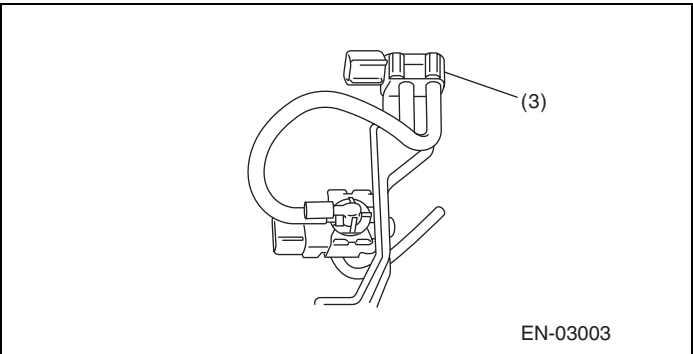
(3) Fuel tank pressure sensor

(4) Fuel sub level sensor

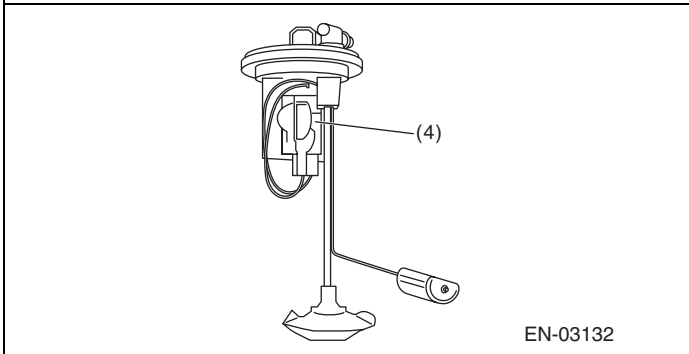
(2) Fuel temperature sensor



EN-03147



EN-03003



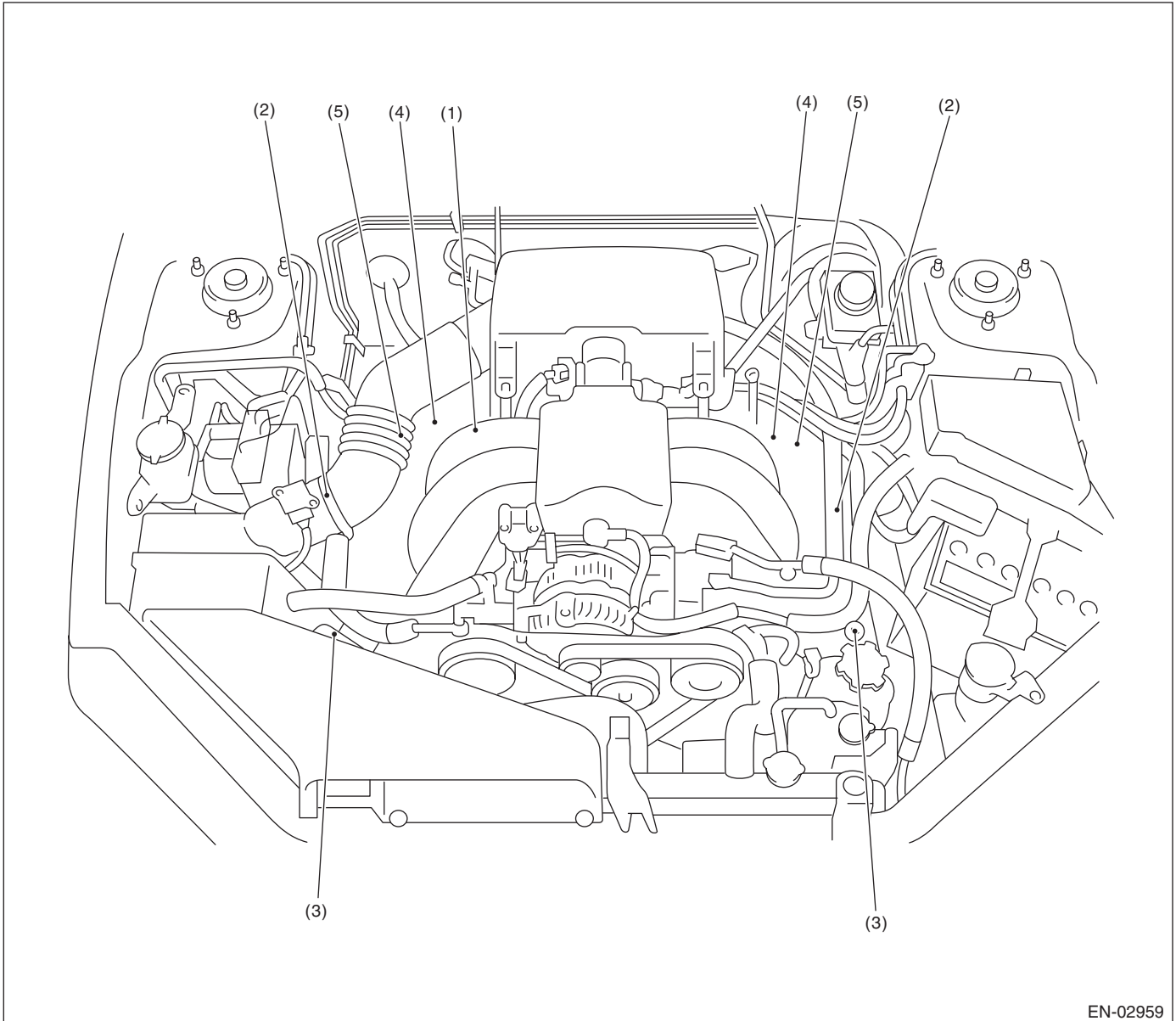
EN-03132



# Electrical Component Location

ENGINE (DIAGNOSTICS)

- Solenoid valve, actuator, emission control system parts and ignition system parts



EN-02959

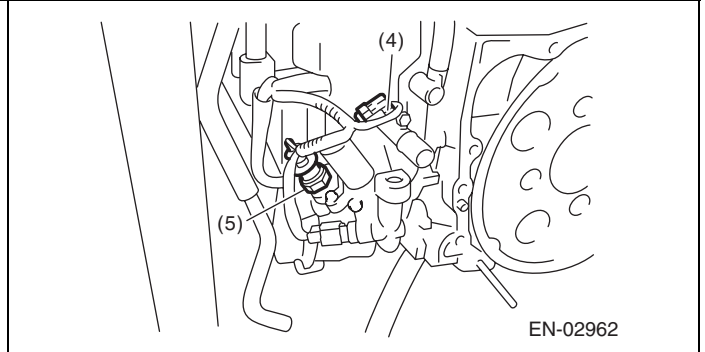
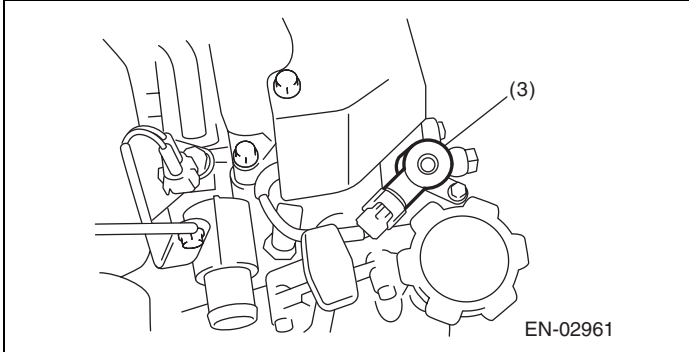
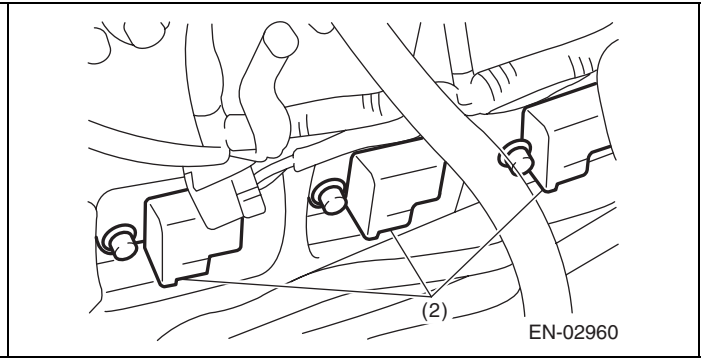
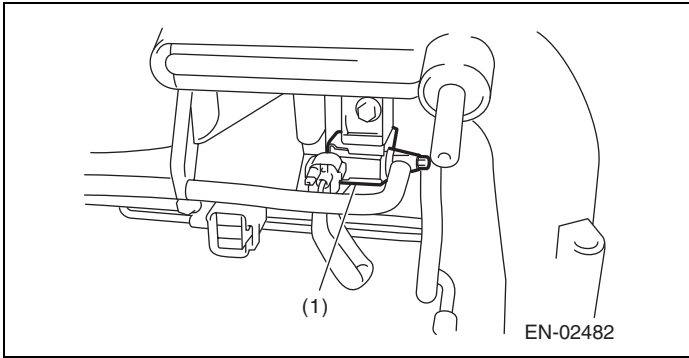
(1) Purge control solenoid valve  
(2) Ignition coil and ignitor ASSY

(3) Oil flow control solenoid valve  
(4) Oil switching solenoid valve

(5) Variable valve lift diagnosis oil pressure switch

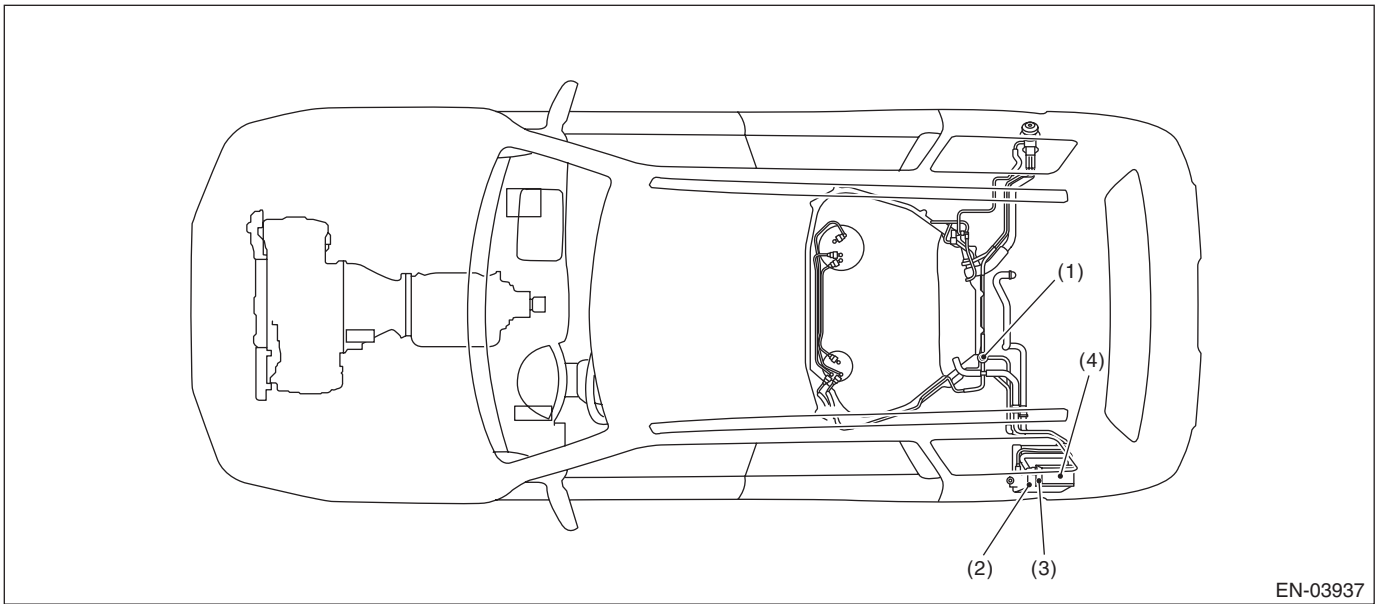
# Electrical Component Location

## ENGINE (DIAGNOSTICS)

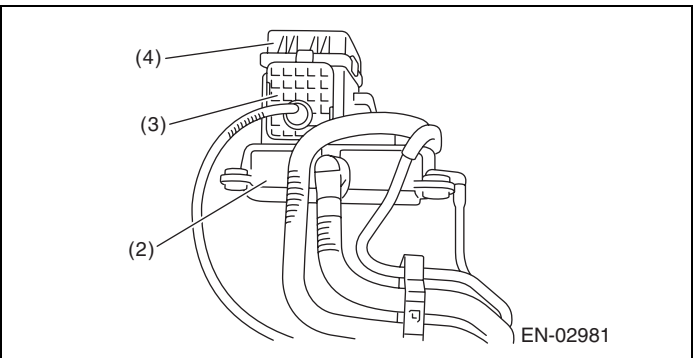
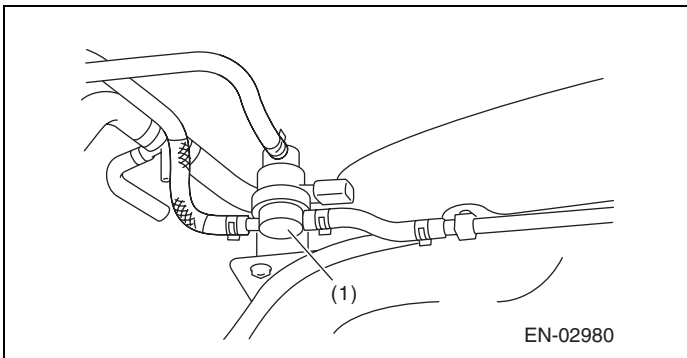


# Electrical Component Location

ENGINE (DIAGNOSTICS)



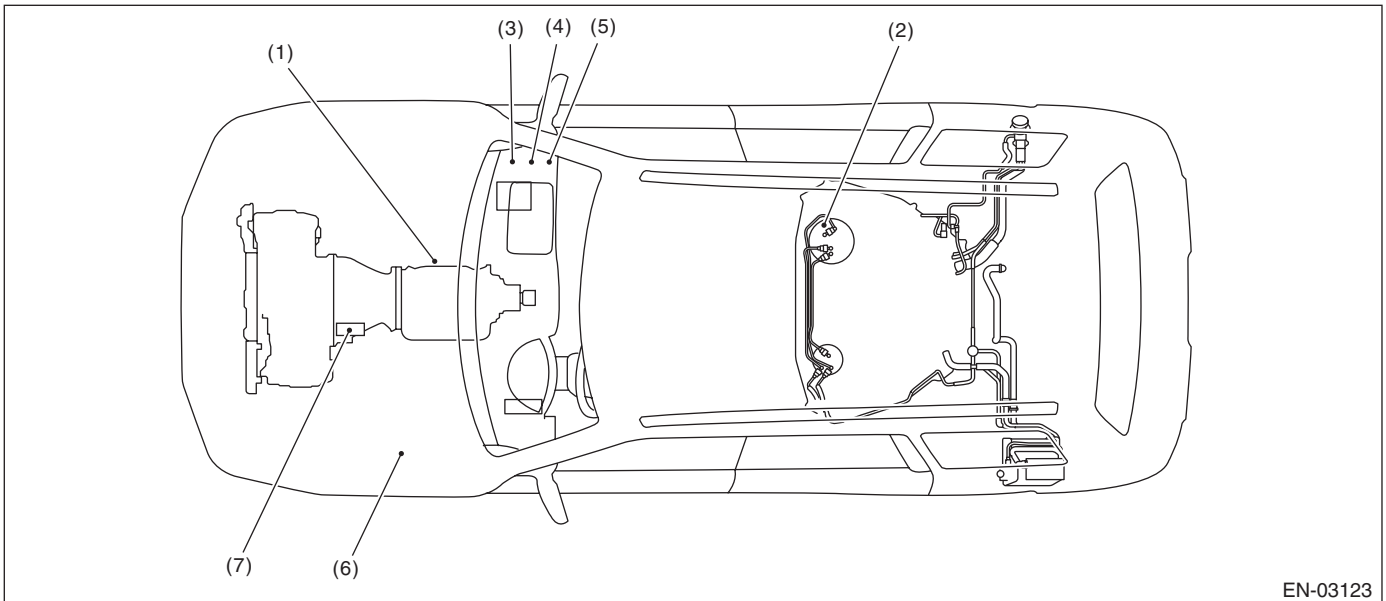
- (1) Pressure control solenoid valve
- (2) Canister
- (3) Drain valve
- (4) Drain filter





# Electrical Component Location

## ENGINE (DIAGNOSTICS)



- |                      |                                       |                        |
|----------------------|---------------------------------------|------------------------|
| (1) Inhibitor switch | (4) Fuel pump relay                   | (6) Radiator fan relay |
| (2) Fuel pump        | (5) Electronic throttle control relay | (7) Starter            |
| (3) Main relay       |                                       |                        |

