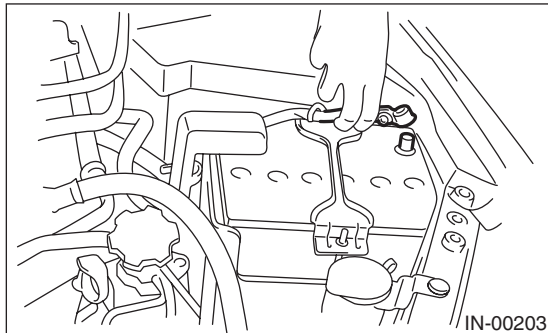


12. Variable Valve Lift Diagnosis Oil Pressure Switch

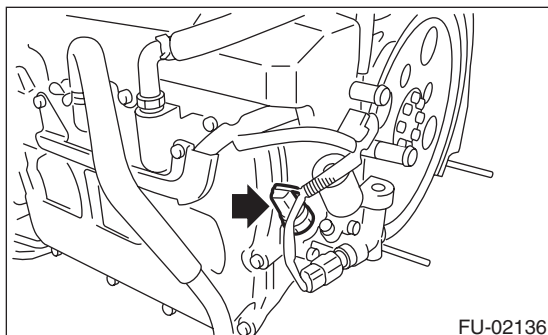
A: REMOVAL

- 1) Remove the collector cover.
- 2) Disconnect the ground cable from battery.

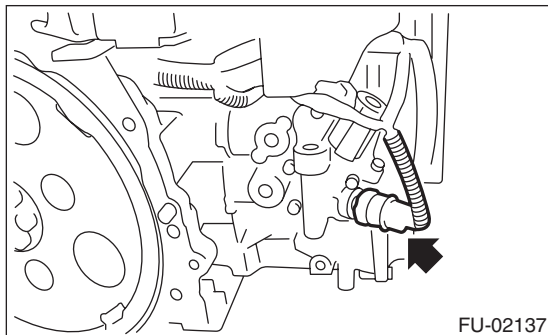


- 3) Remove the air intake chamber. <Ref. to IN(H6DO)-7, REMOVAL, Air Intake Chamber.>
- 4) Disconnect the connector from the variable valve lift diagnosis oil pressure switch.
- 5) Remove the variable valve lift diagnosis oil pressure switch.

- LH side



- RH side



B: INSTALLATION

Install in the reverse order of removal.

NOTE:

Apply liquid gasket to the variable valve lift diagnosis oil pressure switch threads.

Liquid gasket:

THREE BOND 1324 (Part No. 004403042) or equivalent

Tightening torque:

17 N·m (1.7 kgf-m, 12.5 ft-lb)