

# Electronic Throttle Control Relay

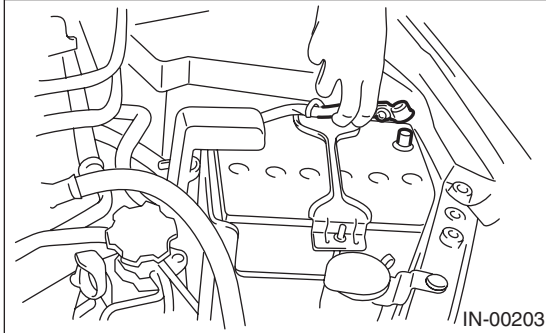
FUEL INJECTION (FUEL SYSTEMS)

---

## 19. Electronic Throttle Control Relay

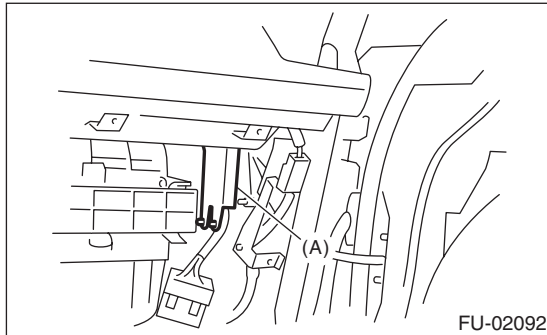
### A: REMOVAL

1) Disconnect the ground cable from battery.

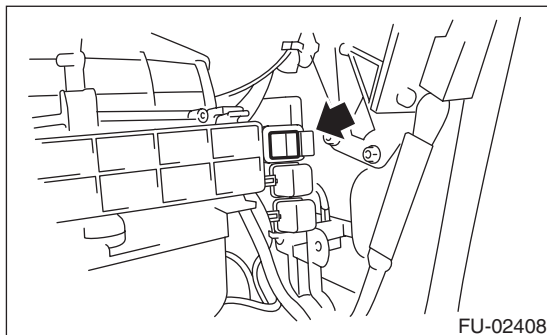


2) Remove the glove box. <Ref. to EI-51, REMOVAL, Glove Box.>

3) Remove the harness cover (A).



4) Disconnect the connector from electric throttle control relay.



### B: INSTALLATION

Install in the reverse order of removal.