

Fuel Filler Pipe

FUEL INJECTION (FUEL SYSTEMS)

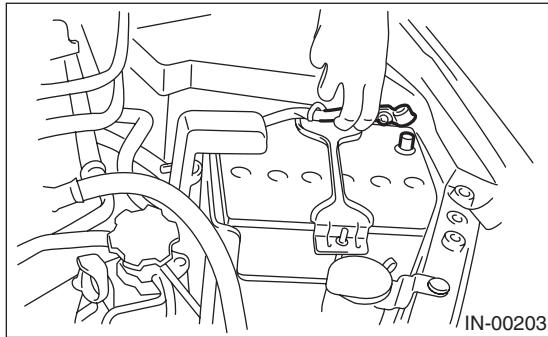
23. Fuel Filler Pipe

A: REMOVAL

WARNING:

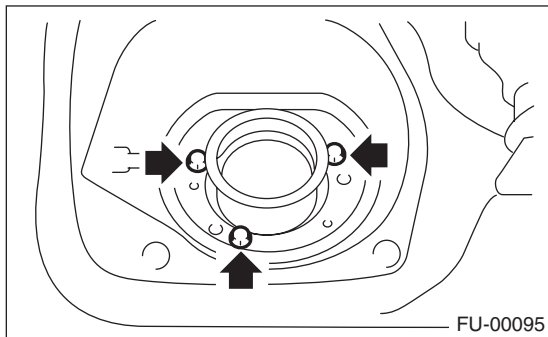
- Place “NO FIRE” signs near the working area.
- Be careful not to spill fuel.

1) Disconnect the ground cable from battery.



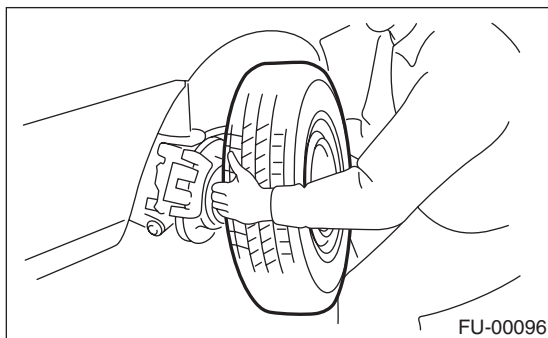
2) Open the fuel filler flap lid, and remove the filler cap.

3) Remove the screws which secure packing.



4) Lift-up the vehicle.

5) Remove the rear wheel RH.

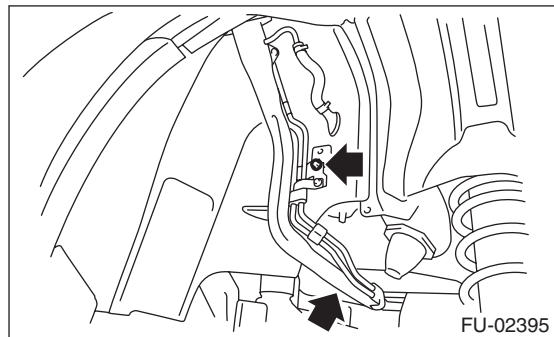


6) Drain fuel from fuel tank. <Ref. to FU(H6DO)-38, DRAINING FUEL, PROCEDURE, Fuel.>

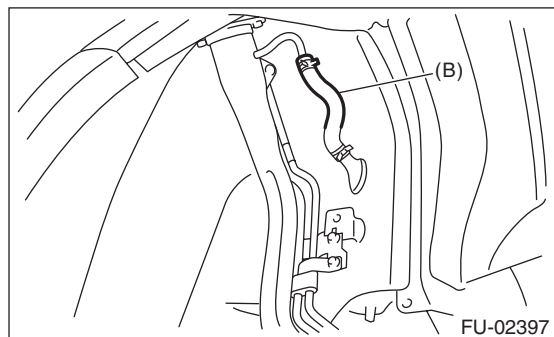
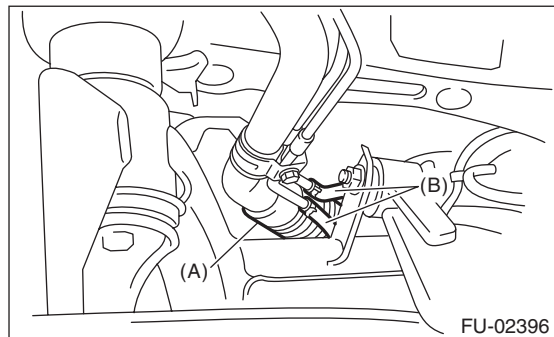
7) Remove the mud guard. <Ref. to EI-29, REMOVAL, Mud Guard.>

8) Remove the rear sub frame. <Ref. to RS-21, REMOVAL, Rear Sub Frame.>

9) Remove the bolts which hold fuel filler pipe bracket on the body.



10) Loosen the clamp, and disconnect the fuel filler hose (A) and evaporation hose (B).



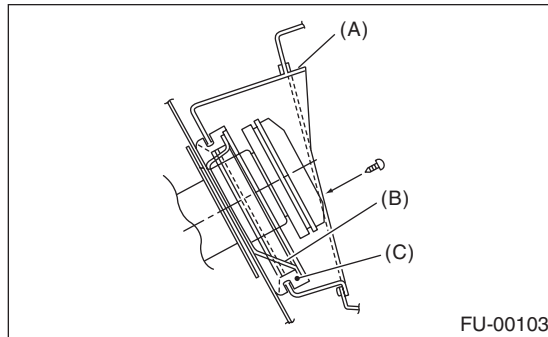
11) Remove the fuel filler pipe to the underside of the vehicle.

B: INSTALLATION

- 1) Open the fuel filler flap lid.
- 2) Set the fuel saucer (A) with rubber packing (C), and insert the fuel filler pipe into hole from the inner side of apron.
- 3) Align the holes in fuel filler pipe neck and set the cup (B), and tighten the screws.

NOTE:

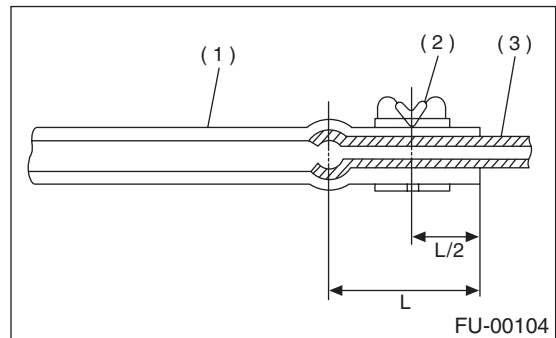
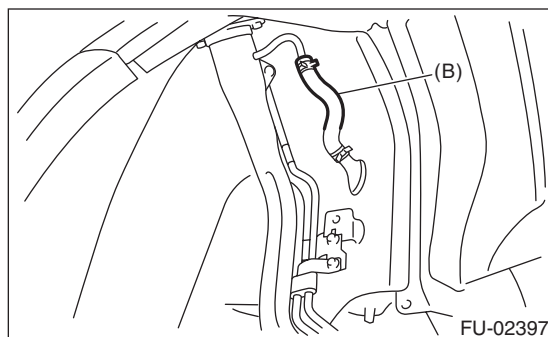
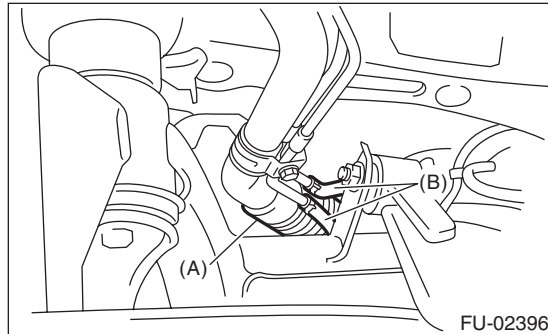
If the edges of rubber packing are folded toward inside, straighten it with a flat tip screwdriver.



- 4) Securely insert the fuel filler hose (A) and Evaporation hose (B) to the specified position, then tighten the clamp.

Tightening torque:

(A) 2.5 N·m (0.3 kgf-m, 1.8 ft-lb)

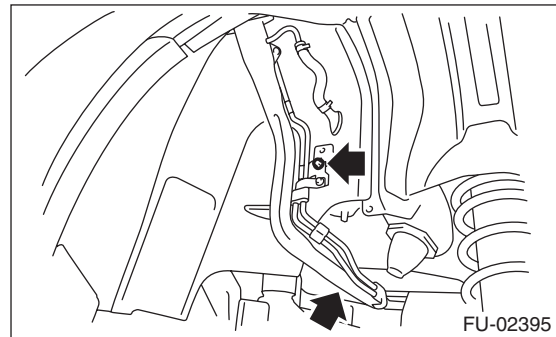


- (1) Hose
- (2) Clip or clamp
- (3) Pipe

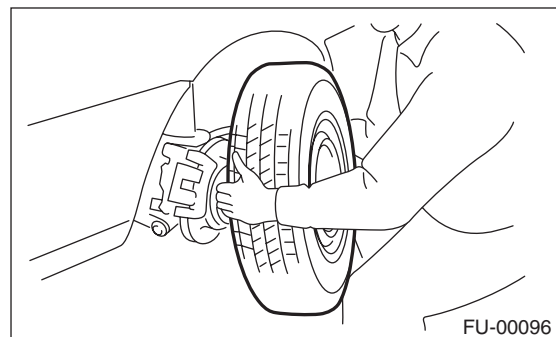
- 5) Tighten the bolts which hold fuel filler pipe bracket on the body.

Tightening torque:

7.5 N·m (0.76 kgf-m, 5.5 ft-lb)



- 6) Install the rear sub frame. <Ref. to RS-21, INSTALLATION, Rear Sub Frame.>
- 7) Install the mud guard. <Ref. to EI-29, INSTALLATION, Mud Guard.>
- 8) Install the rear wheel RH.

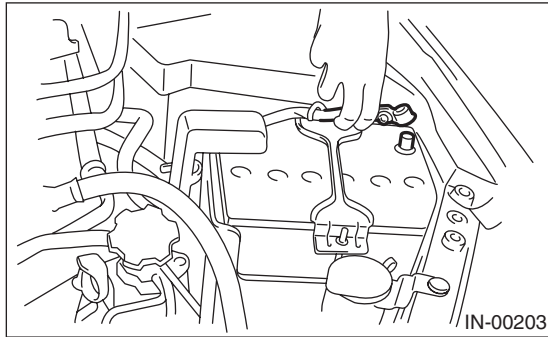


- 9) Lower the vehicle.

Fuel Filler Pipe

FUEL INJECTION (FUEL SYSTEMS)

10) Connect the battery ground cable to the battery.

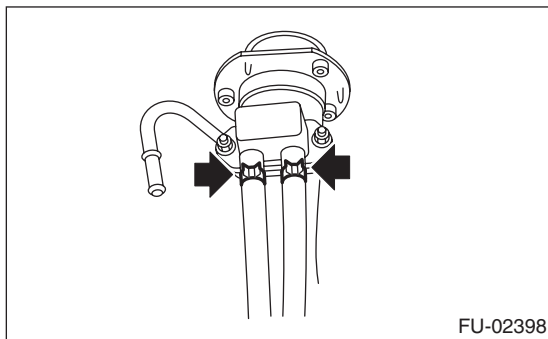


C: INSPECTION

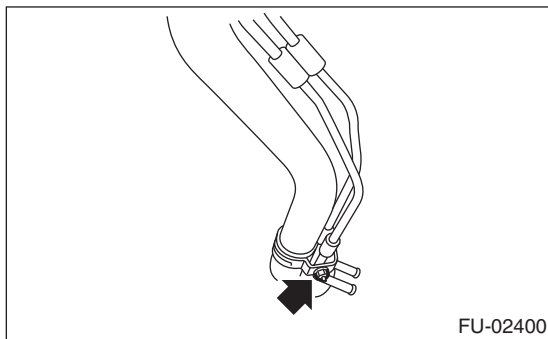
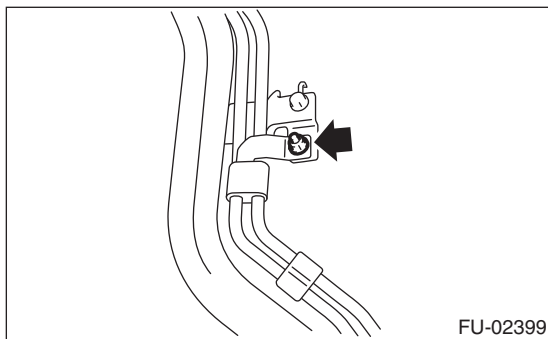
- 1) Check that the fuel filler pipe does not have holes, cracks or is damaged in any other way.
- 2) Make sure that the fuel hose is not cracked and that the connections are tight.

D: DISASSEMBLY

- 1) Move the clamp and disconnect the evaporation hose from the shut valve.



- 2) Remove the nut which holds the evaporation pipe assembly to the fuel filler pipe.



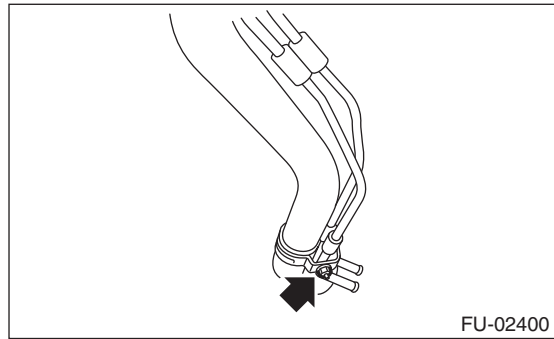
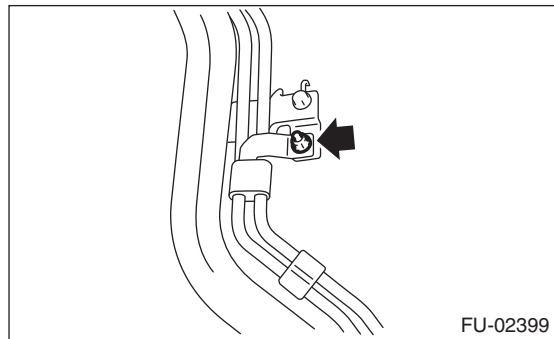
- 3) Remove the shut valve from the fuel filler pipe. <Ref. to EC(H4SO)-14, REMOVAL, Shut Valve.>

E: ASSEMBLY

- 1) Install the shut pipe to the fuel filler pipe. <Ref. to EC(H4SO)-14, INSTALLATION, Shut Valve.>
- 2) Tighten the nuts which secure the evaporation pipe assembly to the fuel filler pipe.

Tightening torque:

7.5 N·m (0.76 kgf·m, 5.5 ft·lb)



- 3) Connect the evaporation hose to the shut valve.

