

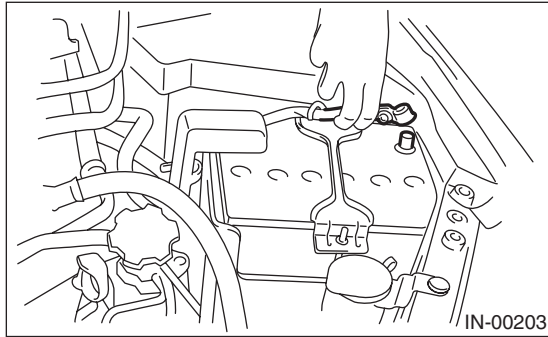
# Intake Manifold

## FUEL INJECTION (FUEL SYSTEMS)

### 3. Intake Manifold

#### A: REMOVAL

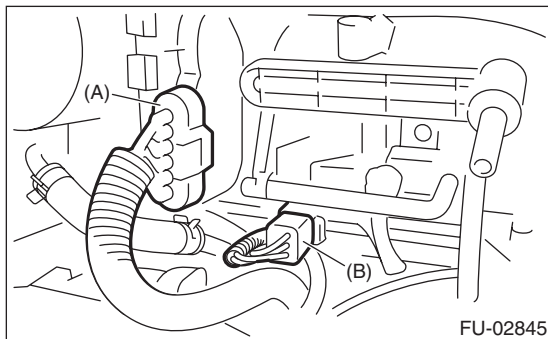
- 1) Remove the collector cover.
- 2) Release the fuel pressure. <Ref. to FU(H6DO)-38, RELEASING OF FUEL PRESSURE, PROCEDURE, Fuel.>
- 3) Open the fuel filler flap lid, and remove the fuel filler cap.
- 4) Disconnect the ground cable from battery.



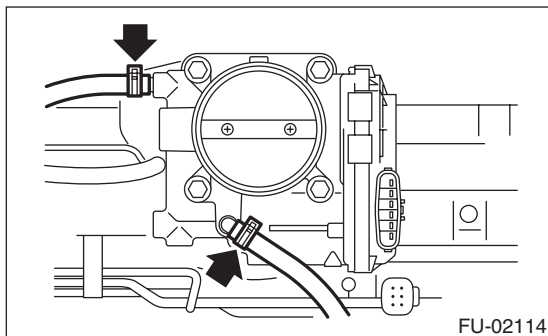
- 5) Remove the air cleaner case and air intake chamber. <Ref. to IN(H6DO)-5, REMOVAL, Air Cleaner Case.> <Ref. to IN(H6DO)-7, REMOVAL, Air Intake Chamber.>

- 6) Remove the generator. <Ref. to SC(H4SO)-21, REMOVAL, Generator.>

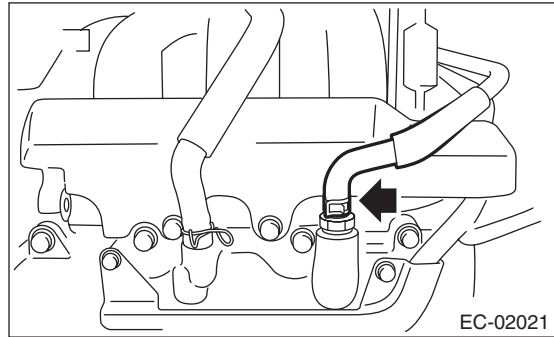
- 7) Disconnect the connector (A) from throttle body.



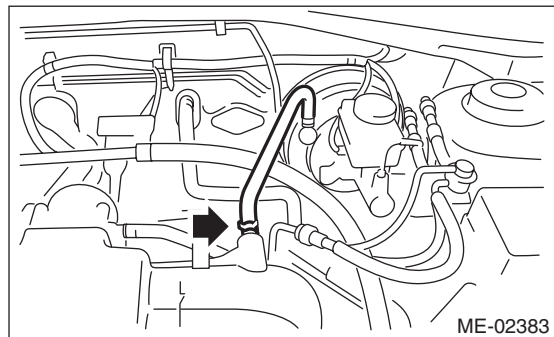
- 8) Disconnect the engine harness connector (B).
- 9) Disconnect the engine coolant hoses from throttle body.



- 10) Disconnect the PCV hose.



- 11) Disconnect the brake booster hose.

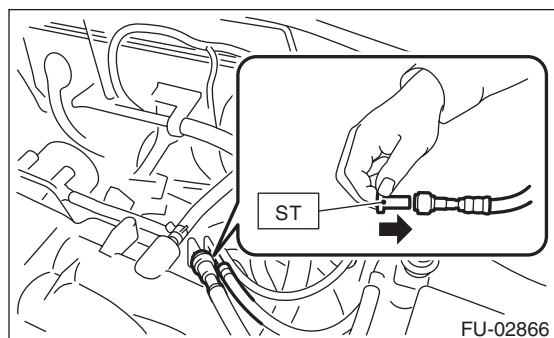


- 12) Disconnect the fuel hoses from fuel pipe.

- (1) Disconnect the connector of fuel pipe by pushing the ST in the direction of arrow.  
ST 42099AE000 CONNECTOR REMOVER
- (2) Remove the clip and disconnect the evaporation hose from the pipe.

#### WARNING:

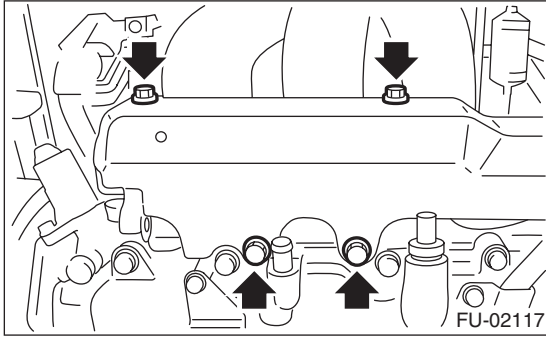
- Be careful not to spill fuel.
- Catch the fuel from hoses using a container or cloth.



# Intake Manifold

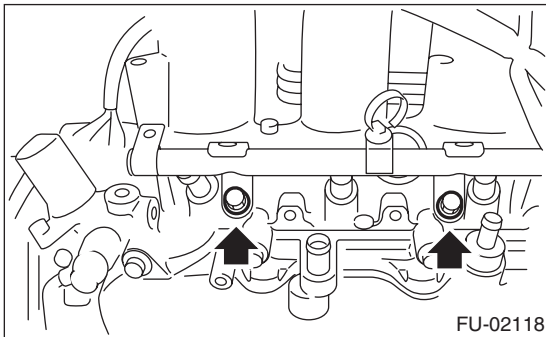
## FUEL INJECTION (FUEL SYSTEMS)

13) Remove the fuel pipe protector LH.

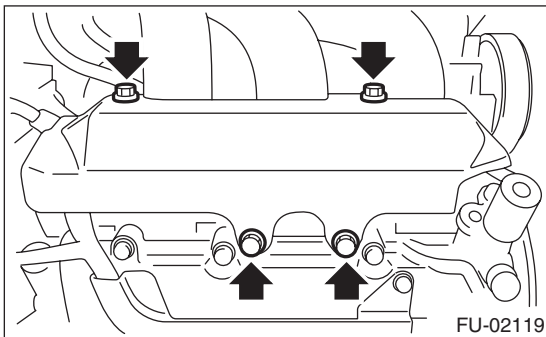


14) Remove the engine harness from fuel injector pipe LH.

15) Remove the bolts which hold fuel injector pipe LH to cylinder head.

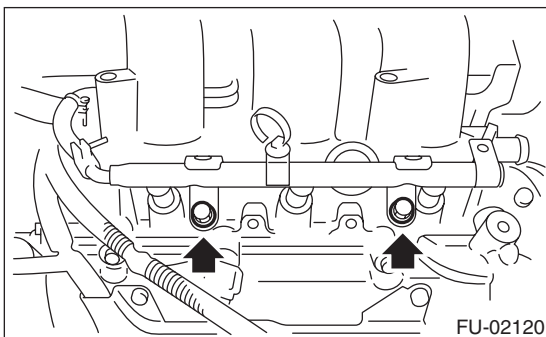


16) Remove the fuel pipe protector RH.



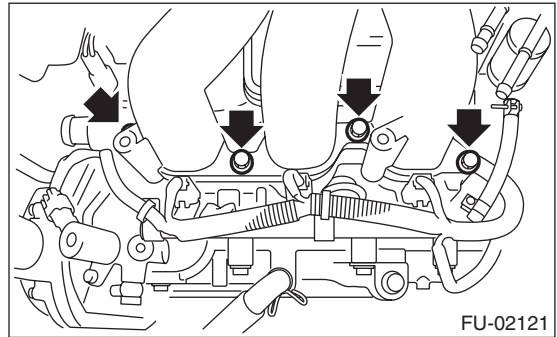
17) Remove the engine harness from fuel injector pipe RH.

18) Remove the bolts which hold the fuel injector pipe RH to the cylinder head.

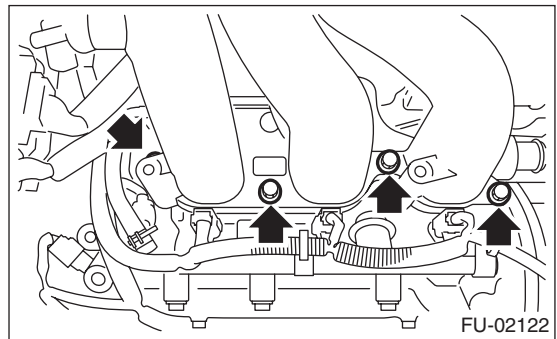


19) Remove the bolts which hold the intake manifold to the cylinder head.

• LH side



• RH side



20) Remove the intake manifold.

# Intake Manifold

## FUEL INJECTION (FUEL SYSTEMS)

### B: INSTALLATION

1) Install the intake manifold onto cylinder heads.

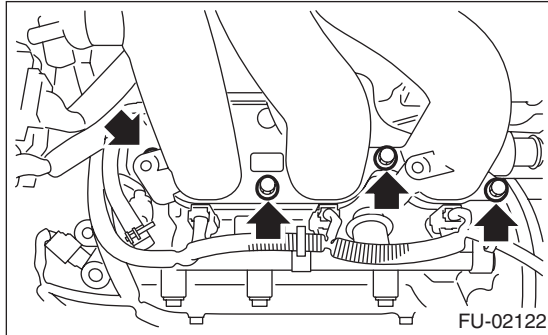
NOTE:

Use new O-rings.

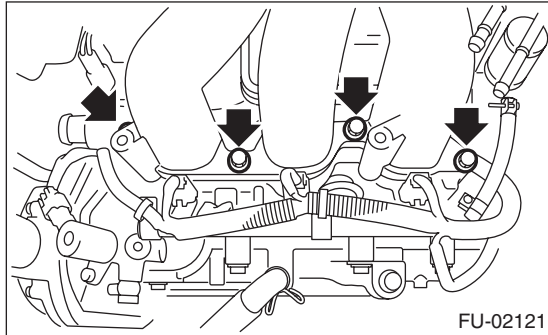
**Tightening torque:**

**25 N·m (2.5 kgf-m, 18 ft-lb)**

- RH side



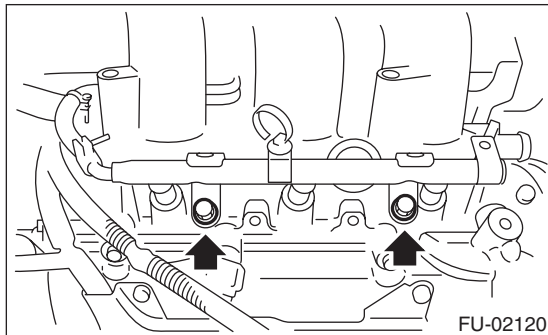
- LH side



2) Install the bolts which hold fuel injector pipe RH to cylinder head.

**Tightening torque:**

**19 N·m (1.9 kgf-m, 14 ft-lb)**

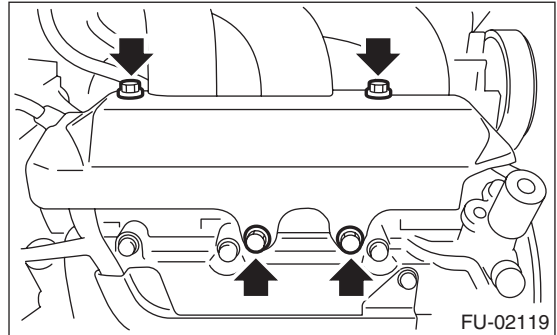


3) Install the engine harness to fuel injector pipe RH.

4) Install the fuel pipe protector RH.

**Tightening torque:**

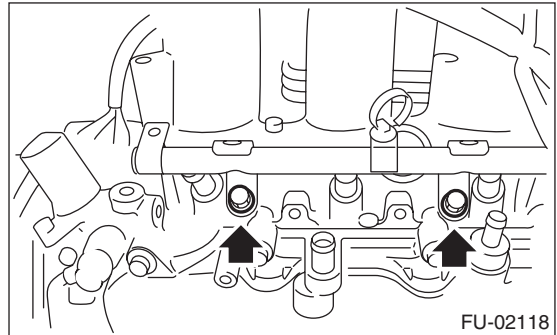
**19 N·m (1.9 kgf-m, 14 ft-lb)**



5) Install the bolts which hold fuel injector pipe LH to cylinder head.

**Tightening torque:**

**19 N·m (1.9 kgf-m, 14 ft-lb)**

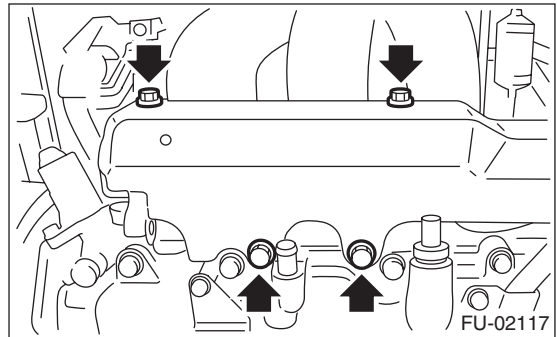


6) Install the engine harness to fuel injector pipe LH.

7) Install the fuel pipe protector LH.

**Tightening torque:**

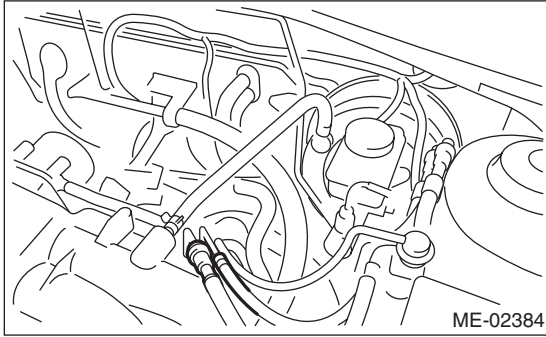
**19 N·m (1.9 kgf-m, 14 ft-lb)**



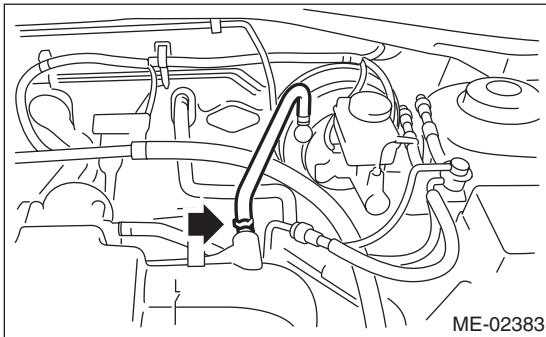
# Intake Manifold

## FUEL INJECTION (FUEL SYSTEMS)

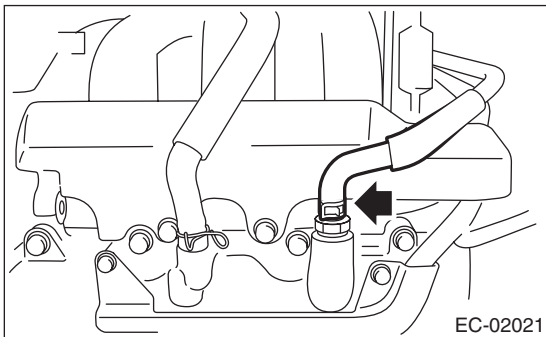
8) Connect the fuel hoses to fuel pipe.



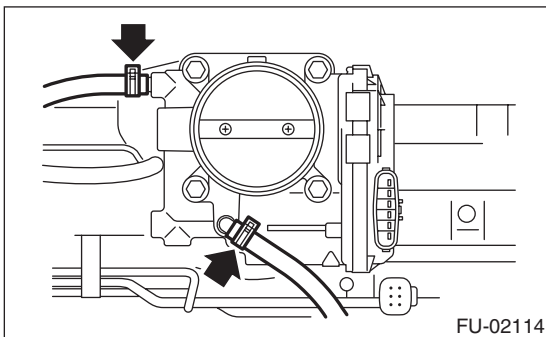
9) Connect the brake booster hose.



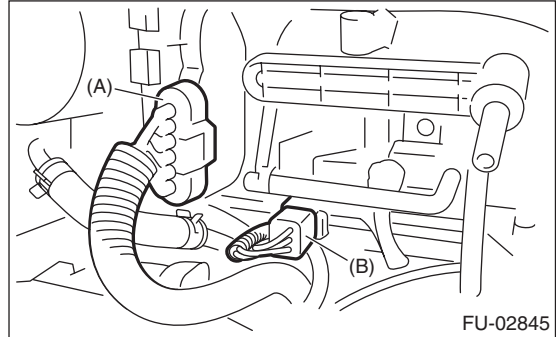
10) Connect the PCV hose.



11) Connect the engine coolant hoses to throttle body.



12) Connect the connector (A) to throttle body.

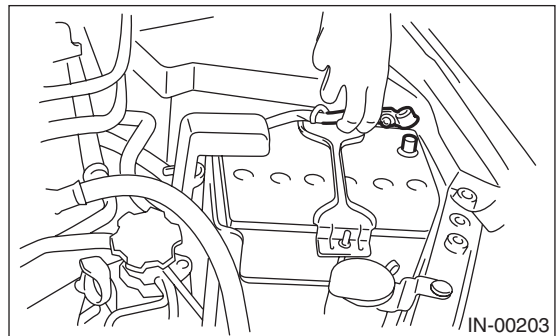


13) Connect the engine harness connector (B).

14) Install the generator. <Ref. to SC(H4SO)-21, INSTALLATION, Generator.>

15) Install the air cleaner case and air intake chamber. <Ref. to IN(H6DO)-6, INSTALLATION, Air Cleaner Case.> <Ref. to IN(H6DO)-7, INSTALLATION, Air Intake Chamber.>

16) Install the fuse of fuel pump to main fuse box.  
17) Connect the battery ground cable to the battery.



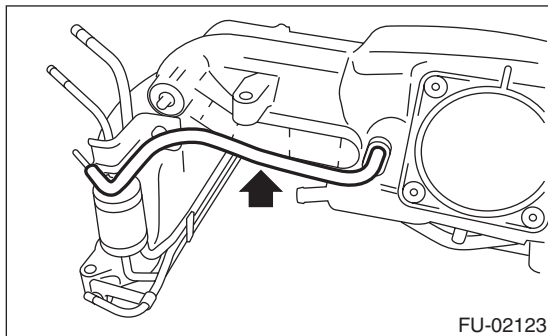
18) Install the collector cover.

# Intake Manifold

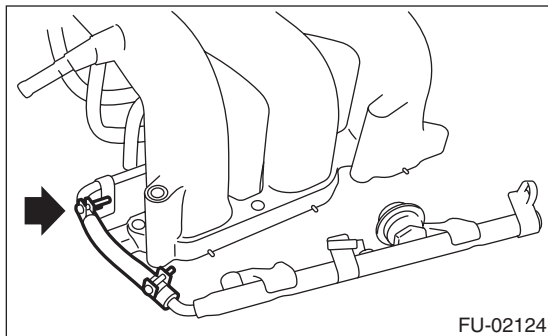
## FUEL INJECTION (FUEL SYSTEMS)

### C: DISASSEMBLY

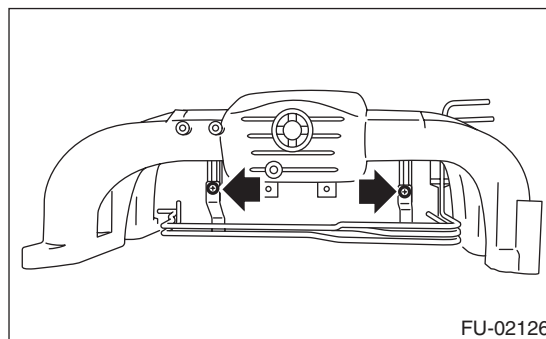
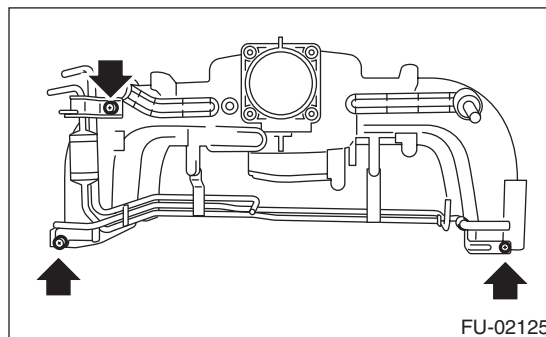
- 1) Remove the engine harness from intake manifold.
- 2) Remove the throttle body. <Ref. to FU(H6DO)-11, REMOVAL, Throttle Body.>
- 3) Remove the pressure regulator vacuum hose from the intake manifold.



- 4) Remove the manifold absolute pressure sensor. <Ref. to FU(H6DO)-23, REMOVAL, Manifold Absolute Pressure Sensor.>
- 5) Remove the purge control solenoid valve. <Ref. to EC(H6DO)-6, REMOVAL, Purge Control Solenoid Valve.>
- 6) Loosen the clamp which holds fuel injector pipe to fuel hose, and then disconnect the pipe from fuel hose.



- 7) Remove the bolts which install fuel pipes on intake manifold.



## D: ASSEMBLY

**NOTE:**

When assembling the nipple, apply liquid gasket.

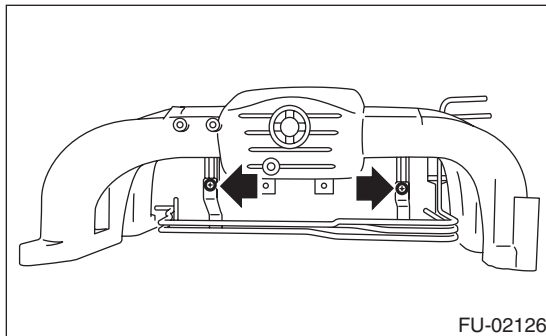
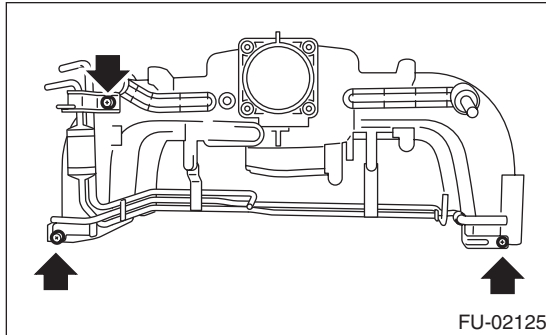
**Liquid gasket:**

**THREE BOND 1105 (Part No.004403010)**

1) Tighten the bolts which install fuel pipes on intake manifold.

**Tightening torque:**

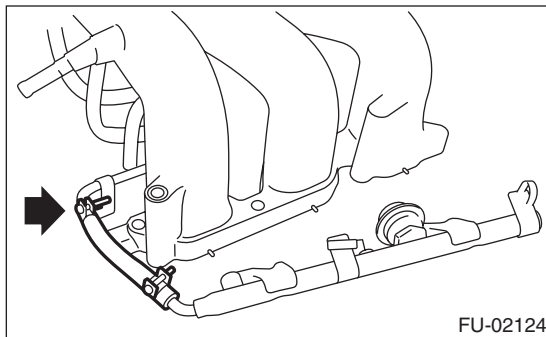
**5 N·m (0.5 kgf·m, 3.6 ft·lb)**



2) Connect the fuel injector pipe to fuel hose, and tighten the clamp screw.

**Tightening torque:**

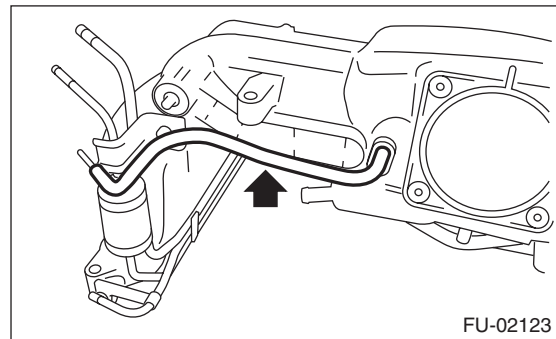
**1.5 N·m (0.15 kgf·m, 1.1 ft·lb)**



3) Install the purge control solenoid valve. <Ref. to EC(H6DO)-6, INSTALLATION, Purge Control Solenoid Valve.>

4) Install the manifold absolute pressure sensor. <Ref. to FU(H6DO)-23, INSTALLATION, Manifold Absolute Pressure Sensor.>

5) Connect the pressure regulator vacuum hose to the intake manifold.



6) Install the throttle body to intake manifold. <Ref. to FU(H6DO)-11, INSTALLATION, Throttle Body.>

7) Install the engine harness onto intake manifold.

## E: INSPECTION

Make sure the fuel pipe and fuel hoses are not damaged and the connections are tightened firmly.