

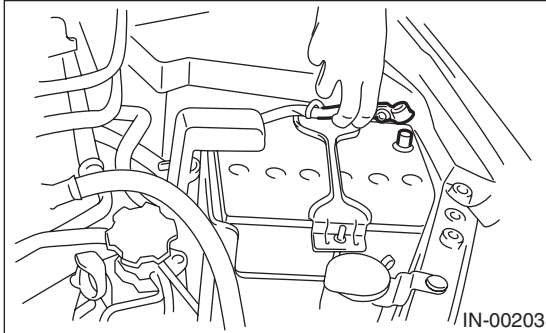
Oil Pressure Switch

LUBRICATION

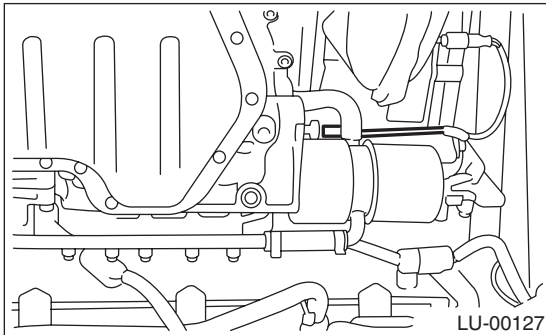
7. Oil Pressure Switch

A: REMOVAL

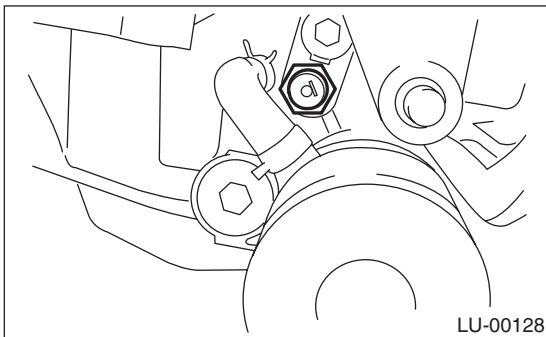
- 1) Set the vehicle on a lift.
- 2) Disconnect the ground cable from battery.



- 3) Lift-up the vehicle.
- 4) Remove the under cover.
- 5) Disconnect the terminal from oil pressure switch.



- 6) Remove the oil pressure switch.

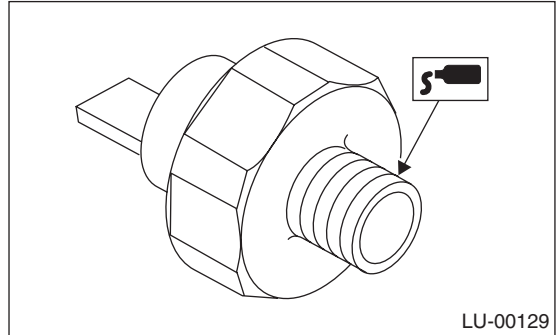


B: INSTALLATION

- 1) Apply liquid gasket to the oil pressure switch threads.

Liquid gasket

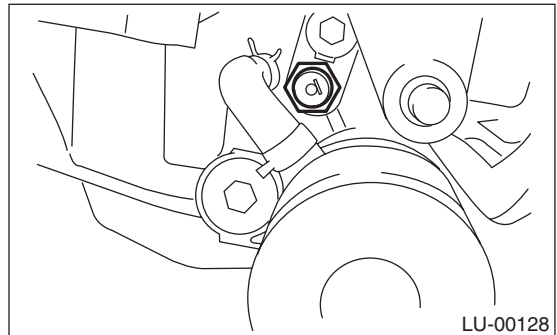
Three bond 1324 (Part No.004403042) or equivalent



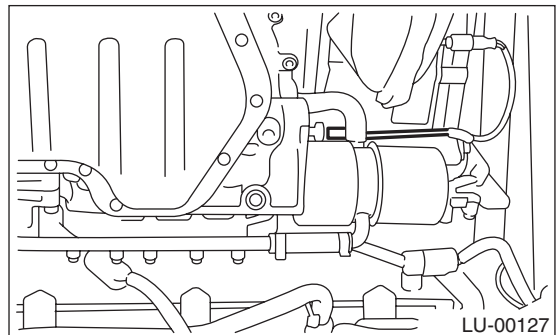
- 2) Install the oil pressure switch.

Tightening torque:

25 N·m (2.5 kgf-m, 18.4 ft-lb)



- 3) Connect the terminal of the oil pressure switch.



- 4) Install the under cover.

C: INSPECTION

Make sure oil does not leak or seep from where the oil pressure switch is installed.