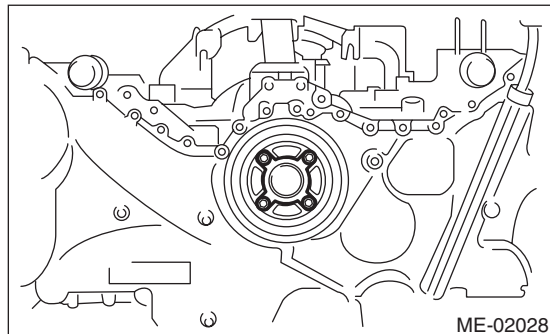


13. Crank Pulley

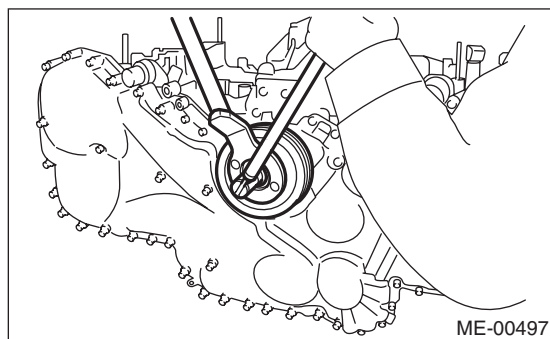
A: REMOVAL

- 1) Remove the crank pulley cover.



- 2) Remove the crank pulley bolt. To lock the crankshaft, use ST.

ST 499977100 CRANK PULLEY WRENCH



- 3) Remove the crank pulley.

B: INSTALLATION

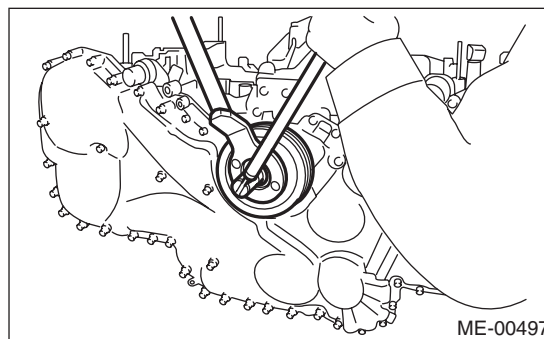
- 1) Install the crank pulley.
- 2) Install the crank pulley bolt. To lock the crankshaft, use ST.

ST 499977100 CRANK PULLEY WRENCH

- (1) Clean the crank pulley thread using compressed air.
- (2) Apply engine oil to the crank pulley bolt seat and thread.
- (3) Tighten the crank pulley bolts.

Tightening torque:

178 N·m (18.1 kgf-m, 131 ft-lb)



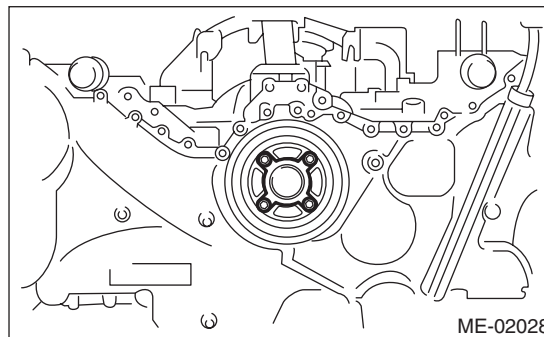
- 3) Install the crank pulley cover.

NOTE:

Assemble the O-ring to crank pulley cover.

Tightening torque:

6.4 N·m (0.65 kgf-m, 4.7 ft-lb)



C: INSPECTION

- 1) Check the crank pulley cover for oil and air leakage.
- 2) Check the crank pulley for looseness.