

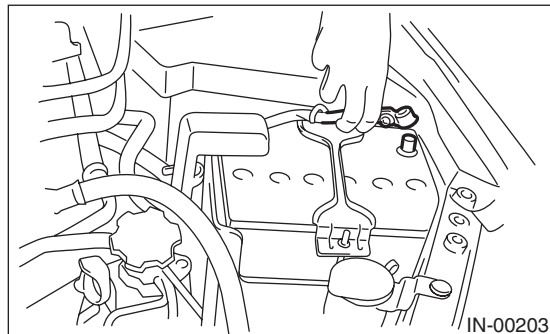
Oil Switching Solenoid Valve

MECHANICAL

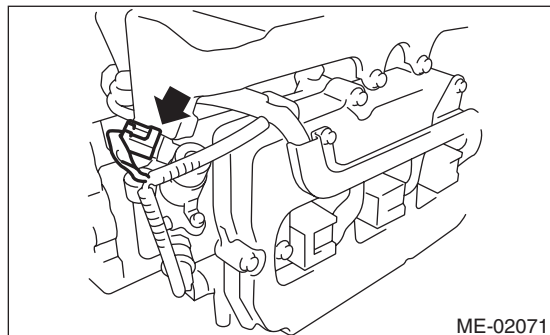
23. Oil Switching Solenoid Valve

A: REMOVAL

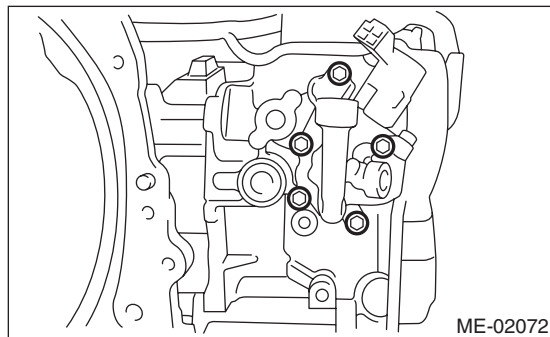
- 1) Disconnect the ground cable from battery.



- 2) Remove the air intake chamber.
<Ref. to IN(H6DO)-7, REMOVAL, Air Intake Chamber.>
- 3) Disconnect the connector from the oil switching solenoid valve.



- 4) Remove the oil switching solenoid valve.
- 5) Remove the variable valve lift diagnosis oil pressure switch.
<Ref. to FU(H6DO)-27, REMOVAL, Variable Valve Lift Diagnosis Oil Pressure Switch.>
- 6) Remove the oil temperature sensor.
<Ref. to FU(H6DO)-28, REMOVAL, Oil Temperature Sensor.>
- 7) Remove the oil switching solenoid valve holder from the cylinder head.



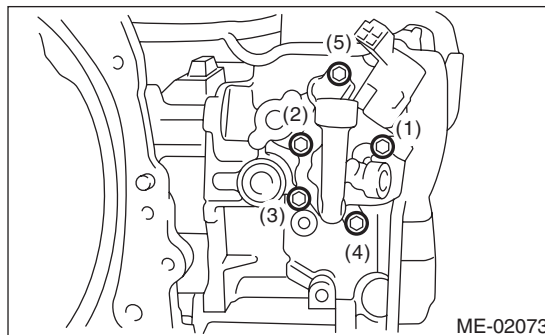
B: INSTALLATION

- 1) Install the oil switching solenoid valve holder.

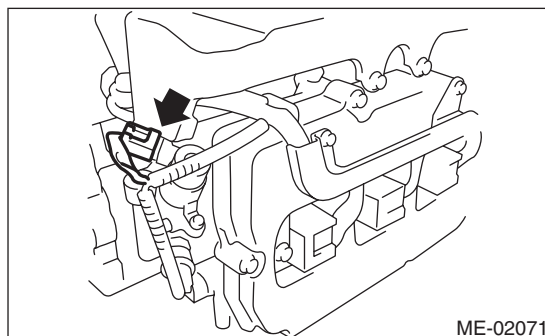
NOTE:

Always use new gaskets.

- (1) Temporarily tighten the bolts by tightening torque of 5 — 10 N·m (0.5 — 1.0 kgf·m, 3.7 — 7.4 ft·lb) in order shown in the figure.
- (2) Tighten the bolts by tightening torque of 10 ± 0.5 N·m (1.0 ± 0.05 kgf·m, 7.4 ± 0.37 ft·lb) in order shown in the figure.



- 2) Install the oil temperature sensor.
<Ref. to FU(H6DO)-28, INSTALLATION, Oil Temperature Sensor.>
- 3) Install the variable valve lift diagnosis oil pressure switch.
<Ref. to FU(H6DO)-27, INSTALLATION, Variable Valve Lift Diagnosis Oil Pressure Switch.>
- 4) Install the oil switching solenoid valve.
- 5) Connect the connector to oil switching solenoid valve.



- 6) Install the air intake chamber.
<Ref. to IN(H6DO)-7, INSTALLATION, Air Intake Chamber.>