

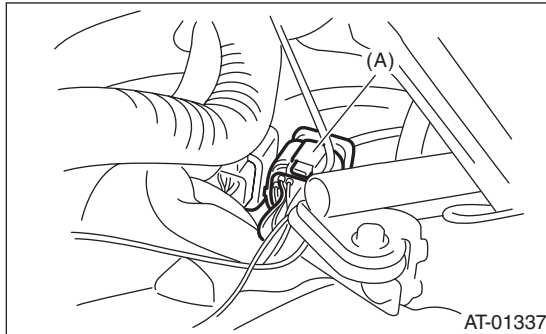
Front Vehicle Speed Sensor

AUTOMATIC TRANSMISSION

14. Front Vehicle Speed Sensor

A: REMOVAL

- 1) Set the vehicle on a lift.
- 2) Disconnect the ground cable from the battery.
- 3) Remove the air intake chamber.
<Ref. to IN(H4SO)-7, REMOVAL, Air Intake Chamber.>
- 4) Disconnect the transmission connector.



(A) Transmission connector

- 5) Remove the pitching stopper. <Ref. to 4AT-42, REMOVAL, Transmission Mounting System.>
- 6) Remove the transmission connector from stay.
- 7) Lift-up the vehicle.
- 8) Clean the transmission exterior.
- 9) Remove the ATF drain plug to drain ATF.

CAUTION:

After running the engine or after idling for a long time, the ATF is hot. Be careful not to burn yourself.

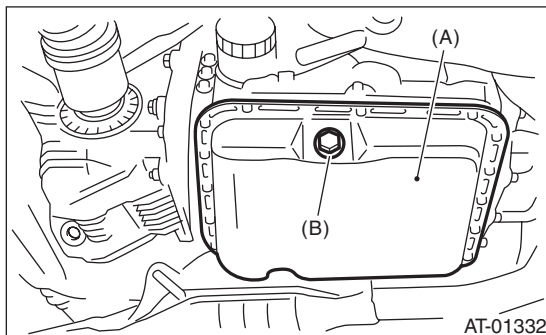
- 10) Tighten the ATF drain plug.

NOTE:

Use a new gasket.

Tightening torque:

25 N·m (2.5 kgf·m, 18 ft·lb)



(A) Oil pan
(B) ATF drain plug

- 11) Remove the front, center and rear exhaust pipes and muffler. <Ref. to EX(H4SO)-4, REMOVAL, Front Exhaust Pipe.> <Ref. to EX(H4SO)-8, REMOVAL, Rear Exhaust Pipe.> <Ref. to EX(H4SO)-10, REMOVAL, Muffler.>

- 12) Remove the shield cover.

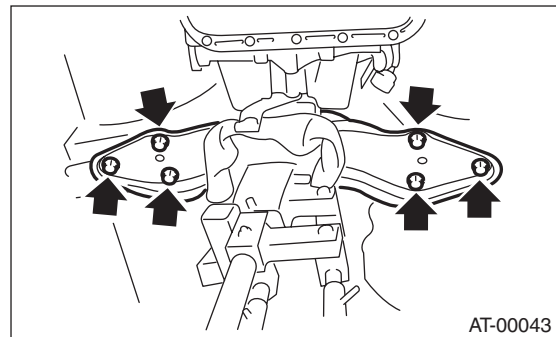
- 13) Remove the propeller shaft. <Ref. to DS-10, REMOVAL, Propeller Shaft.>

- 14) Place the transmission jack under the transmission.

NOTE:

Make sure that the support plate of transmission jack does not touch the cross.

- 15) Remove the transmission rear crossmember bolt.



- 16) Lower the transmission jack.

NOTE:

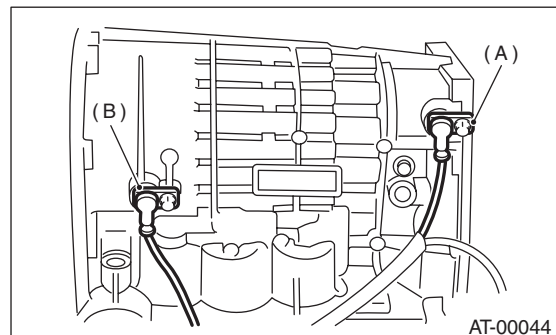
Do not separate the transmission jack and transmission.

- 17) Remove the oil cooler inlet and outlet pipes.

NOTE:

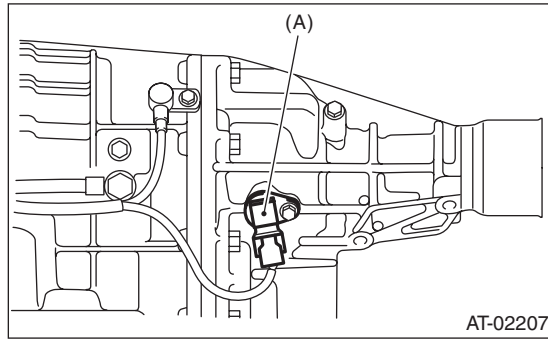
When removing the outlet pipe, be careful not to lose the ball and spring used with retaining screw.

- 18) Remove the front vehicle speed sensor and torque converter turbine speed sensor.



(A) Front vehicle speed sensor
(B) Torque converter turbine speed sensor

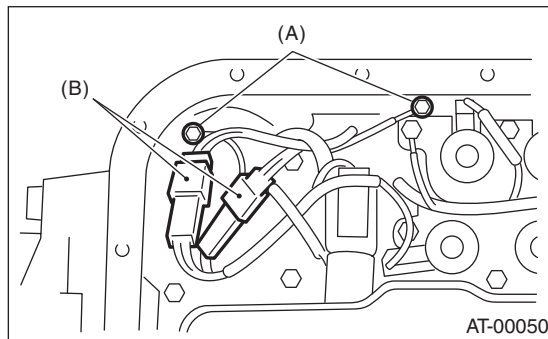
19) Disconnect the connector from the rear vehicle speed sensor.



(A) Rear vehicle speed sensor

20) Remove the oil pan.

21) Disconnect the harness connector and transmission ground terminal.

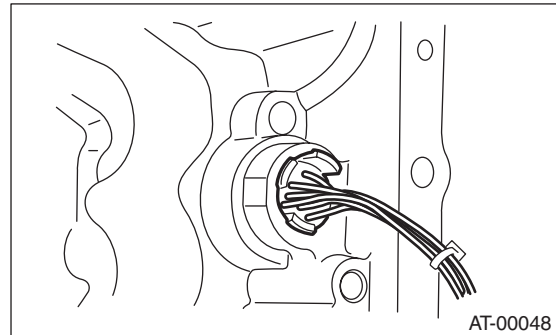


(A) Transmission ground
(B) Harness connector

22) Remove the harness assembly.

B: INSTALLATION

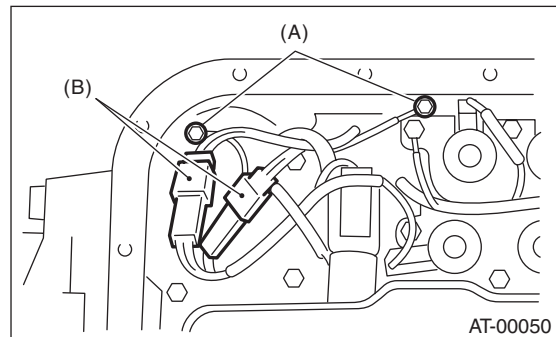
1) Pass the harness assembly through the hole in transmission case.



2) Connect the harness connector and transmission ground.

Tightening torque:

8 N·m (0.8 kgf·m, 5.8 ft·lb)

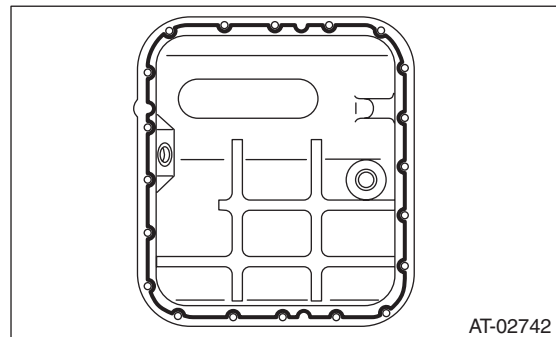


(A) Transmission ground
(B) Harness connector

3) Apply proper amount of liquid gasket to the entire oil pan mating surface.

Liquid gasket:

THREE BOND 1217B (Part No. K0877YA020)

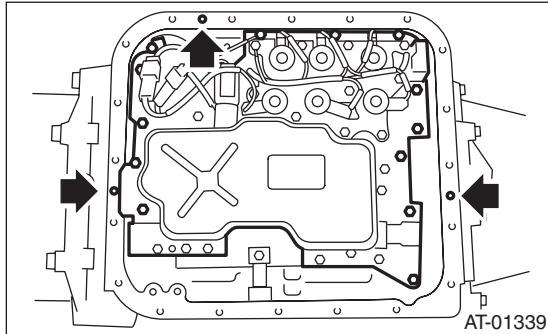


Front Vehicle Speed Sensor

AUTOMATIC TRANSMISSION

4) Apply an adequate amount of liquid gasket to the three holes excluding the screw holes of the transmission case.

Liquid gasket:
THREE BOND 1217B (Part No. K0877YA020)



5) Install the oil pan.

Tightening torque:
5 N·m (0.5 kgf-m, 3.6 ft-lb)

6) Install the front vehicle speed sensor and torque converter turbine speed sensor.

Tightening torque:
7 N·m (0.7 kgf-m, 5.1 ft-lb)

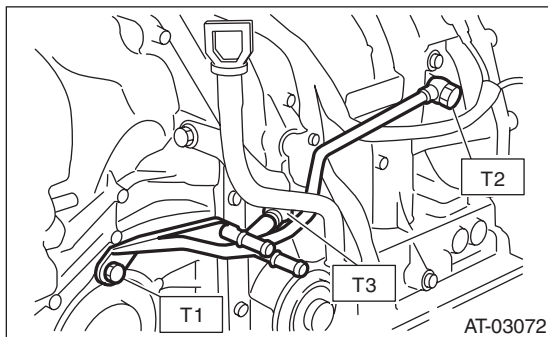
7) Connect the connector to the rear vehicle speed sensor.

8) Install the oil cooler pipe.

NOTE:

Use a new copper washer.

Tightening torque:
T1: 25 N·m (2.5 kgf-m, 18 ft-lb)
T2: 40 N·m (4.1 kgf-m, 29.5 ft-lb)
T3: 44 N·m (4.5 kgf-m, 32.5 ft-lb)



9) Install the transmission rear crossmember bolt.

Tightening torque:
75 N·m (7.6 kgf-m, 55 ft-lb)

10) Install the propeller shaft. <Ref. to DS-11, INSTALLATION, Propeller Shaft.>

11) Install the shield cover.

12) Install the front, center and rear exhaust pipes, and the muffler.

<Ref. to EX(H4SO)-5, INSTALLATION, Front Exhaust Pipe.> <Ref. to EX(H4SO)-8, INSTALLATION, Rear Exhaust Pipe.> <Ref. to EX(H4SO)-10, INSTALLATION, Muffler.>

13) Lower the vehicle.

14) Install the transmission connector to the stay.

15) Install the pitching stopper. <Ref. to 4AT-42, INSTALLATION, Transmission Mounting System.>

16) Install the air intake chamber.

<Ref. to IN(H4SO)-7, INSTALLATION, Air Intake Chamber.>

17) Fill with the same amount of ATF as drained.

18) Bleed the air of control valve.

<Ref. to 4AT-60, Air Bleeding of Control Valve.>

19) Inspect the level of ATF. <Ref. to 4AT-26, Automatic Transmission Fluid.>

20) Execute the learning control promotion. <Ref. to 4AT(diag)-16, FACILITATION OF LEARNING CONTROL, OPERATION, Subaru Select Monitor.>