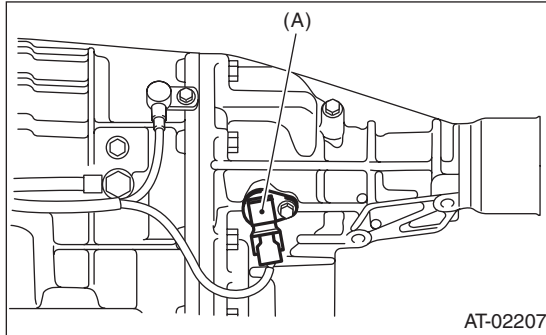


## 15.Rear Vehicle Speed Sensor

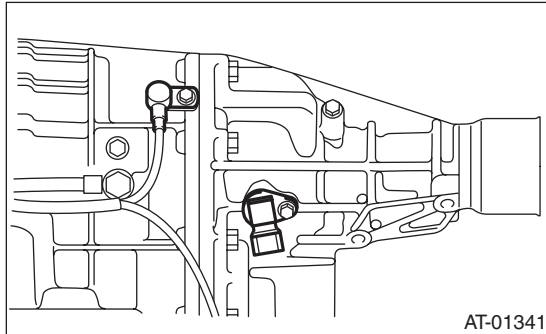
### A: REMOVAL

- 1) Set the vehicle on a lift, and then lift the vehicle.
- 2) Disconnect the connector from the rear vehicle speed sensor.



(A) Rear vehicle speed sensor

- 3) Remove the rear vehicle speed sensor.



### B: INSTALLATION

Install in the reverse order of removal.

NOTE:

Replace O-ring with a new part.

**Tightening torque:**

**7 N·m (0.7 kgf·m, 5.1 ft-lb)**