

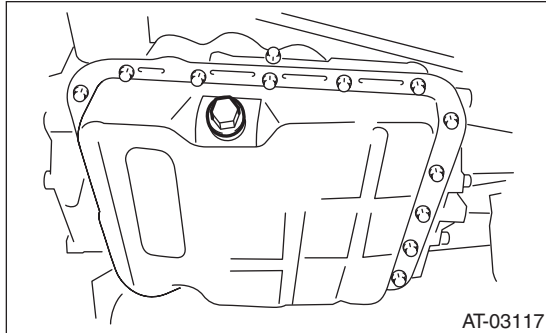
## 17. Control Valve Strainer

### A: REMOVAL

- 1) Set the vehicle on a lift.
- 2) Disconnect the ground cable from the battery.
- 3) Lift up the vehicle.
- 4) Clean the transmission exterior.
- 5) Remove the drain plug (ATF) to drain the ATF.

**CAUTION:**

The ATF will be extremely hot after driving. Be careful not to receive burns.



- 6) Perform replacement with a new gasket, and tighten the drain plug (ATF).

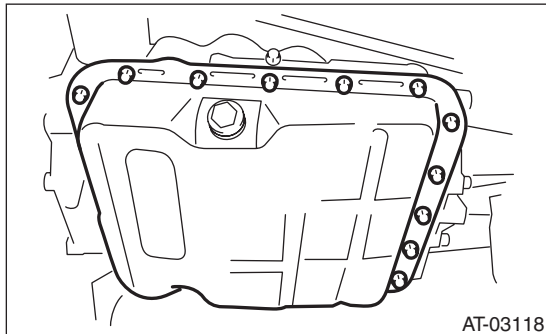
**Tightening torque:**

**25 N·m (2.5 kgf·m, 18.4 ft·lb)**

- 7) Remove the oil pan.

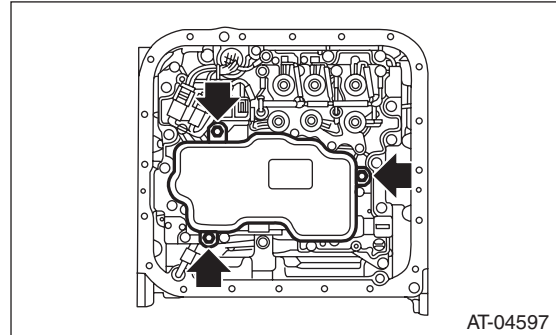
**CAUTION:**

Be careful not to allow foreign matter such as dust or dirt to enter the oil pan.



- 8) Remove the magnet.
- 9) Clean the magnet.
- 10) Completely remove the remaining liquid gasket on the transmission case and oil pan.

- 11) Remove the control valve strainer tightening bolt, and remove control valve strainer from the control valve body.



### B: INSTALLATION

- 1) Check the control valve body for dust and other foreign matter.
- 2) Mount new control valve strainer to the control valve body.

- (1) Apply ATF to the entire perimeter of the O-ring on the control valve strainer.

**CAUTION:**

Protect the O-ring from dust and dirt while applying ATF.

- (2) Install the control valve strainer to the control valve body from the O-ring side.

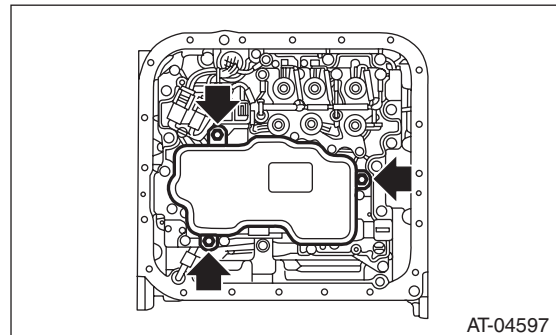
**CAUTION:**

If the control valve strainer is pushed in at an angle, the O-ring may be damaged. Be sure to push in the control valve strainer straight to install.

- (3) Tighten the three bolts.

**Tightening torque:**

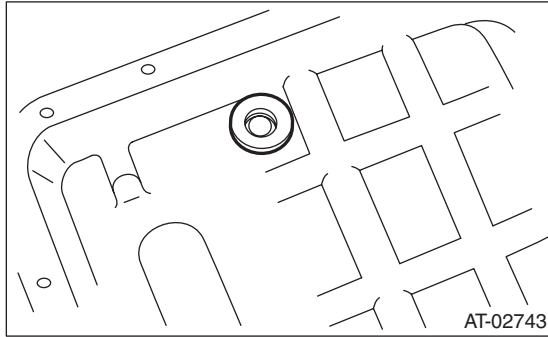
**10 N·m (1.0 kgf·m, 7.4 ft·lb)**



# Control Valve Strainer

## AUTOMATIC TRANSMISSION

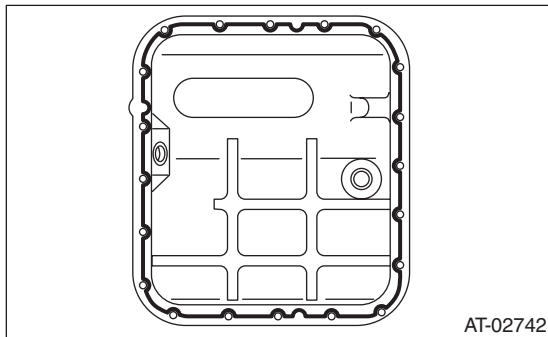
- 3) Attach the magnet at the specified position of the oil pan.



- 4) Apply proper amount of liquid gasket to the entire oil pan mating surface.

**Liquid gasket:**

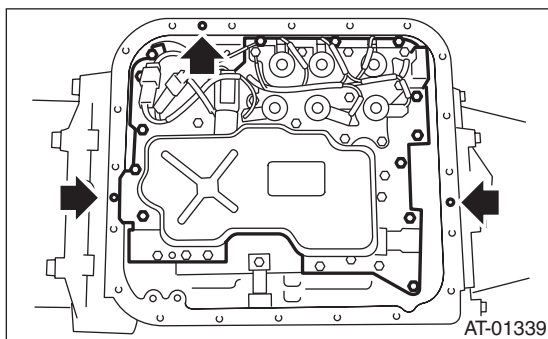
**THREE BOND 1217B (Part No. K0877YA020)  
or equivalent**



- 5) Fill the three holes aside from the bolt holes in the transmission case, with liquid gasket.

**Liquid gasket:**

**THREE BOND 1217B (Part No. K0877YA020)  
or equivalent**



- 6) Install the oil pan by equally tightening the bolts.

**Tightening torque:**

**5 N·m (0.5 kgf·m, 3.7 ft·lb)**

- 7) Fill ATF from the oil charge pipe.

**Recommended fluid:**

**<Ref. to 4AT-3, HYDRAULIC CONTROL AND LUBRICATION, SPECIFICATION, General Description.>**

**Capacity:**

**Fill with the same amount of ATF as drained.**

- 8) Bleed the air of control valve. <Ref. to 4AT-60, Air Bleeding of Control Valve.>

- 9) Check the ATF level. <Ref. to 4AT-26, Automatic Transmission Fluid.>

## C: INSPECTION

Check the control valve strainer for holes, damages or adhesion of dust and other foreign particles.